

M / M-Lengthen



Material: Pa66 (Nylon) ,UL94-V2
 Hermetic seal: NBR,Silicone rubber
 O-Ring : NBR,Silicone rubber
 Protection degree: IP68
 Temperature: Static state: -40°C to 100°C,
 short time to 120°C;
 Dynamic state: -20°C to 80°C,
 short time to 100°C
 Color customization: Grey, Black, other color customized

Sealing Nut



Seal



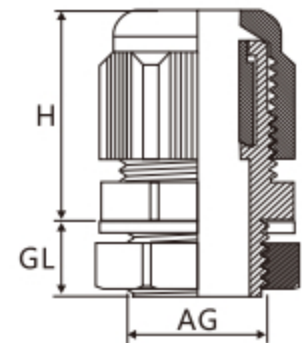
Body



Washer



Lock Nut



Specification parameter

Item	Clamping range	GL	Thread O.D. AG	Spanner Size
M12×1.5	3-6.5	9	12	18/16
M12×1.5	4-8	8	12	18/16
M16×1.5	4-8	9	16	22/19
M16×1.5	5-10	8	16	22/19
M18×1.5	5-10	9	18	24/22
M20×1.5	6-11	10	20	27/24
M20×1.5	10-14	9	20	27/24
M22×1.5	10-13	10	22	30/27
M25×1.5	12-15	11	25	31/28
M25×1.5	13-18	11	25	31/28
M27×1.5	13-18	12	27	35/33
M30×1.5	16-21	12	30	37/35
M32×1.5	16-21	12	32	38/35
M36×1.5	18-25	12	36	45/42
M40×1.5	22-32	15	40	52/52
M50×1.5	32-38	18	50	62/58
M63×1.5	37-44	18	63	72/64

Item	Clamping range	GL	Thread O.D. AG	Spanner Size
M12×1.5	3-6.5	15	12	18/16
M12×1.5	4-8	15	12	18/16
M16×1.5	4-8	15	16	22/19
M16×1.5	5-10	15	16	22/19
M18×1.5	5-10	15	18	24/22
M20×1.5	6-11	15	20	27/24
M20×1.5	10-14	15	20	27/24
M22×1.5	10-13	15	22	30/27
M25×1.5	12-15	15	25	31/28
M25×1.5	13-18	15	25	31/28
M27×1.5	13-18	15	27	35/33
M30×1.5	16-21	15	30	37/35
M32×1.5	16-21	15	32	38/35
M36×1.5	18-25	15	36	45/42
M40×1.5	22-32	18	40	52/52
M50×1.5	32-38	20	50	62/58
M63×1.5	37-44	20	63	72/64