



CONTROL COMPONENT

Ø30 PUSHBUTTON SWITCH KH-30XX Series



CLASSIFICATION

KH- 30XX - 1 1 R

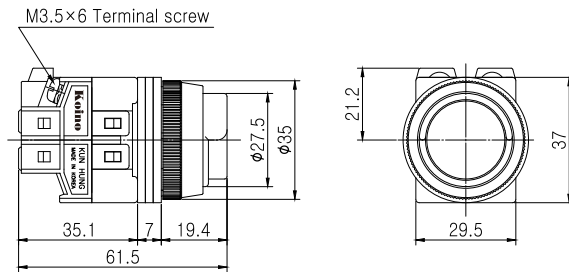
① ② ③ ④

① SHAPE	08	PROTECTIVE GUARD
	81	PUSHBUTTON
	81EB	MUSHROOM HEAD
	40	Ø40 HEADPUSHBUTTON
	46ER	MUSHROOM HEAD/MAINTAINED/TURN TO RETURN
	65EB	Ø75 HEAD PUSHBUTTON
	66EB	Ø75 HEAD PUSHBUTTON/PROTECTIVE RING
② CONTACT	NUMBER OF NO CONTACT	
	NUMBER OF NC CONTACT	
④ COLOR	R	RED
	G	GREEN
	Y	YELLOW
	BK	BLACK



KH-3008

- Protective guard for avoiding mal- operation
- Momentary action



Specification

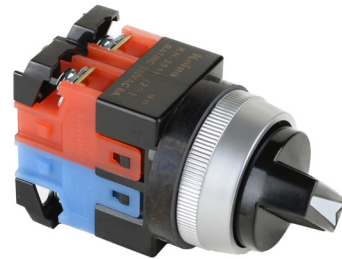
Switching System	The switching element of KH- 30XX is equipped with normally open contact and normally closed contact. 1A, 1B, 2A, 2B 1A1B, 2A2B 3A1B and 1A3B contacts are available. Normally 4 contact blocks can be assembled					
Material	Body	Nylon glass	Contact housing	Nylon glass	Ring	ABS (chrome plated)
Mechanical Lifetime	1,000,000 Cycles of operation					
Install	Tightening torque : Max. 0.8N · m					
Standards	This product comply with "Standards for low- voltage switching devices" EN IEC 60947- 5- 1					
Contact Ratings	125VAC 10A, 250VAC 6A (resistive load)					
Insulation Resistance	Minimum 100MΩ (500VDC)					
Contact Resistance	Maximum 30mΩ					
Electrical Lifetime	100,000 cycles of operation					
Dielectric Strength	Between Live Parts: 1,500VAC(50/60Hz) for 1 minute Between Live and Dead Parts: 1,500VAC(50/60Hz) for 1 minute					
Operational Temperature	- 25° C □+50° C (NOT FREEZING CONDITION)					
Operational Humidity	45 □85%RH					
Protection Degree	IP40					
Shock Resistance	Approximately 50G					
Vibration Resistance	10 □55Hz double amplitude 1.5mm (at X, Y and Z axis)					
Approbations	CCC					
Declaration of Conformity	NONE					



Ø 30 KH selector switch

FEATURE

- 2steps / 3steps selector switich



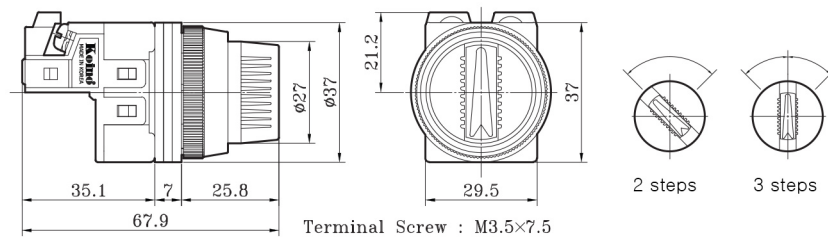
KH-3011
KH-3012

SPECIFICATION

	KH-3011	KH-3012
Contact	1a+1b	
Hole cut	Ø30mm	
Operating Temp.	-25℃ ~ +50℃ (Not Freezing Condition)	
Operating Humidity	45~85% RH	
Contact ratings	250VAC, 6A (Resistive Load)	
Insul. Resistance	Min. 100MΩ (DC500V)	
Rated Insul. voltage	AC/DC 600V	
Contact resistance	Max. 30MΩ(DEFAULT)	
Dielectric strength	1500VAC(50/60Hz)for 1 Min.	
Vibration resistance	10~55Hz double amplitude 0.75mm(at X,Y & Z axis)	
Shock resistance	30G(300ms ²)	
Protection	IP40	
Life time	Mechanical: Min. 250000 Operation (1800/H), Electrical: Min. 100000 Operation (1800/H)	
Selector	2 STEPS	3 STEPS
Material	Body: Phenol, Contact Block: Nylon Ring: ABS, Knob: Phenol	
Weight	91g	101g

DIMENSION

KH-3011



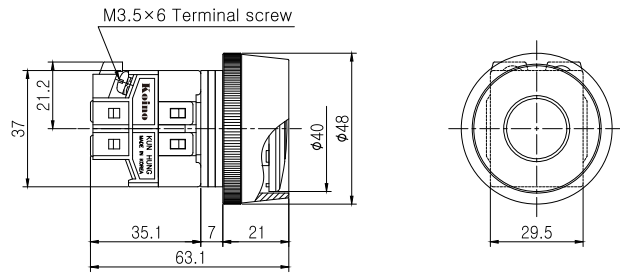


KH-3040

- Protective guard for avoiding mal- operation
- Momentary action
- Ø40 big head



KH- 3040



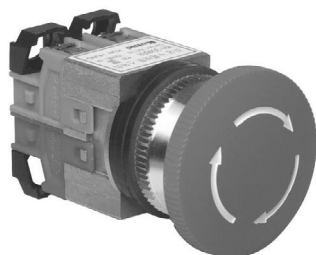
Specification

Switching System	The switching element of KH- 30XX is equipped with normally open contact and normally closed contact. 1A, 1B, 2A, 2B 1A1B, 2A2B 3A1B and 1A3B contacts are available. Normally 4 contact blocks can be assembled					
Material	Body	Phenol	Contact housing	Nylon glass	Ring	Aluminum die- casting (chrome plated)
Mechanical Lifetime	250,000 Cycles of operation					
Install	Tightening torque : Max. 0.8N · m					
Standards	This product comply with "Standards for low- voltage switching devices" EN IEC 60947- 5- 1					
Contact Ratings	125VAC 10A, 250VAC 6A (resistive load)					
Insulation Resistance	Minimum 100MΩ (500VDC)					
Contact Resistance	Maximum 30mΩ					
Electrical Lifetime	100,000 cycles of operation					
Dielectric Strength	Between Live Parts: 1,500VAC(50/60Hz) for 1 minute Between Live and Dead Parts: 1,500VAC(50/60Hz) for 1 minute					
Operational Temperature	- 25° C □+50° C (NOT FREEZING CONDITION)					
Operational Humidity	45 □85%RH					
Protection Degree	IP40					
Shock Resistance	Approximately 20G					
Vibration Resistance	10 □5Hz double amplitude 1.5mm (at X, Y and Z axis)					
Approbations	CCC					
Declaration of Conformity	NONE					

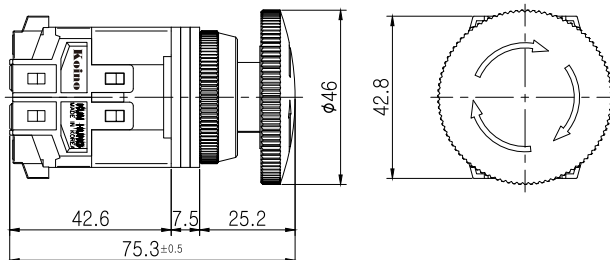


KH-3046ER

- Body is made of Zinc alloy die- casting
- Maintained action (turn to reset)



KH- 3046ER



Specification

Switching System	The switching element of KH- 30XX is equipped with normally open contact and normally closed contact. 1A, 1B, 2A, 2B 1A1B, 2A2B 3A1B and 1A3B contacts are available. Normally 4 contact blocks can be assembled					
Material	Body	Zinc alloy die- casting	Contact housing	Nylon glass	Ring	Aluminum
Mechanical Lifetime	250,000 Cycles of operation					
Install	Tightening torque : Max. 0.8N · m					
Standards	This product comply with "Standards for low- voltage switching devices" EN IEC 60947- 5- 1					
Contact Ratings	125VAC 10A, 250VAC 6A (resistive load)					
Insulation Resistance	Minimum 100MΩ (500VDC)					
Contact Resistance	Maximum 30mΩ					
Electrical Lifetime	100,000 cycles of operation					
Dielectric Strength	Between Live Parts: 1,500VAC(50/60Hz) for 1 minute Between Live and Dead Parts: 1,500VAC(50/60Hz) for 1 minute					
Operational Temperature	- 25°C □+50°C (NOT FREEZING CONDITION)					
Operational Humidity	45 □85%RH					
Protection Degree	IP40					
Shock Resistance	Approximately 20G					
Vibration Resistance	10 □5Hz double amplitude 1.5mm (at X, Y and Z axis)					
Approbations	CCC					
Declaration of Conformity	NONE					

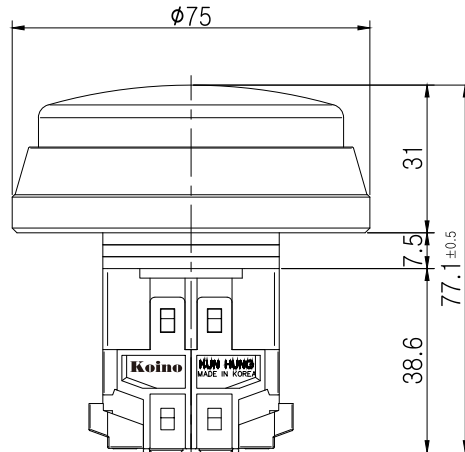


KH-3065EB

- Ø75 big head
- Momentary action



KH- 3065EB



Specification

Switching System	The switching element of KH- 30XX is equipped with normally open contact and normally closed contact. 1A, 1B, 2A, 2B 1A1B, 2A2B 3A1B and 1A3B contacts are available. Normally 4 contact blocks can be assembled							
Material	Body	Zinc alloy die-casting	Contact housing	Nylon glass	Ring	Zinc alloy die-casting (chrome plated)	Button	Phenol
Mechanical Lifetime	250,000 Cycles of operation							
Install	Tightening torque : Max. 0.8N · m							
Standards	This product comply with "Standards for low- voltage switching devices" EN IEC 60947- 5- 1							
Contact Ratings	125VAC 10A, 250VAC 6A (resistive load)							
Insulation Resistance	Minimum 100MΩ (500VDC)							
Contact Resistance	Maximum 30mΩ							
Electrical Lifetime	100,000 cycles of operation							
Dielectric Strength	Between Live Parts: 1,500VAC(50/60Hz) for 1 minute Between Live and Dead Parts: 1,500VAC(50/60Hz) for 1 minute							
Operational Temperature	- 25°C □+50°C (NOT FREEZING CONDITION)							
Operational Humidity	45 □85%RH							
Protection Degree	IP40							
Shock Resistance	Approximately 20G							
Vibration Resistance	10 □5Hz double amplitude 1.5mm (at X, Y and Z axis)							
Approbations	CCC							
Declaration of Conformity	NONE							

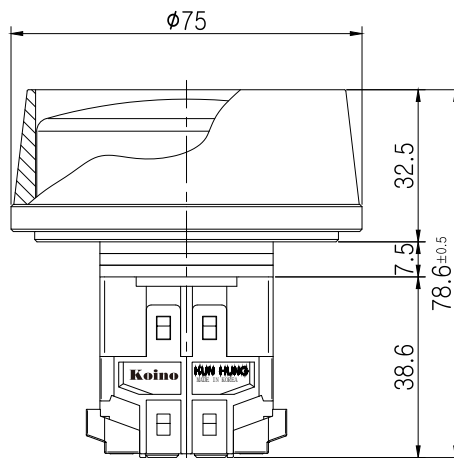


KH-3066EB

- $\varnothing 75$ big head
- Protective guard for avoiding mal- operation
- Momentary action



KH- 3066EB



Specification

Switching System	The switching element of KH- 30XX is equipped with normally open contact and normally closed contact. 1A, 1B, 2A, 2B 1A1B, 2A2B 3A1B and 1A3B contacts are available. Normally 4 contact blocks can be assembled							
Material	Body	Zinc alloy die-casting	Contact housing	Nylon glass	Ring	Zinc alloy die-casting (chrome plated)	Button	Phenol
Mechanical Lifetime	250,000 Cycles of operation							
Install	Tightening torque : Max. 0.8N · m							
Standards	This product comply with "Standards for low- voltage switching devices" EN IEC 60947- 5- 1							
Contact Ratings	125VAC 10A, 250VAC 6A (resistive load)							
Insulation Resistance	Minimum 100M Ω (500VDC)							
Contact Resistance	Maximum 30m Ω							
Electrical Lifetime	100,000 cycles of operation							
Dielectric Strength	Between Live Parts: 1,500VAC(50/60Hz) for 1 minute Between Live and Dead Parts: 1,500VAC(50/60Hz) for 1 minute							
Operational Temperature	- 25°C \square +50°C (NOT FREEZING CONDITION)							
Operational Humidity	45 \square 85%RH							
Protection Degree	IP40							
Shock Resistance	Approximately 20G							
Vibration Resistance	10 \square 55Hz double amplitude 1.5mm (at X, Y and Z axis)							
Approbations	CCC							
Declaration of Conformity	NONE							

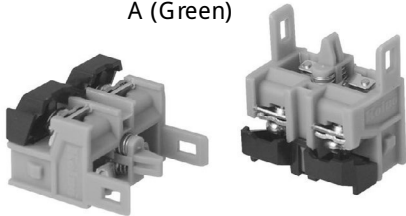


CONTROL COMPONENT

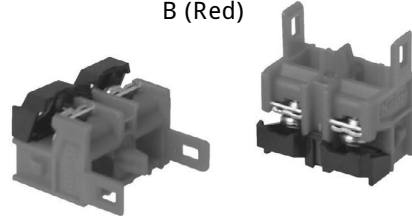
ACCESSORIES

Contact Block

A (Green)



B (Red)



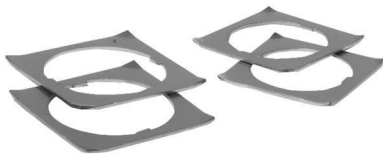
Dummy Block



Contact Block Guard



Anti-rotating Ring



Ø22, Ø25, Ø30

Aluminum Ring



Ø25, Ø30

Safety Cover



KA- 005 (Ø25), KA- 22(Ø252)
KA- 25 (Ø25), KA- 30(Ø30)



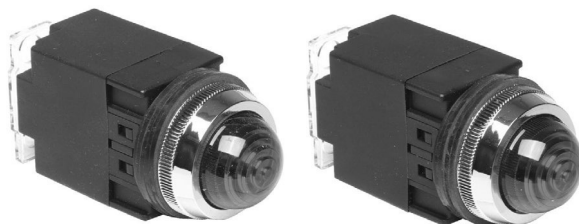
PC- 25(Ø25)
PC- 30(Ø30)



SC- 022(Ø22)
SC- 025(Ø25)
SC- 030(Ø30)

CONTROL COMPONENT

PILOT LAMP KH-50X Series



CLASSIFICATION

MODEL	INPUT VOLTAGE	FILAMENT LAMP		LED LAMP		DIAMETER
		VOLTAGE	POWER CONSUMPTION	VOLTAGE	POWER CONSUMPTION	
KH- 501, 501L	110VAC	6.3V	1.0W	6V	40mA	Ø25
	120VAC	-	-	6V	40mA	
KH- 501TL		6.3V, 12V, 24V	1.0W	-	-	
KH- 501DL* KH- 503DL*	6VDC	-	-	6V	40mA	KH- 501DL: Ø25 KH- 503DL: Ø30
	12VDC	-	-	12V	20mA	
	24VDC	-	-	24V	20mA	
	48VDC	-	-			
	100VDC	-	-			
	200VDC	-	-			
KH- 502, 502L	220VAC	6.3V	1.0W	6V	40mA	Ø25
KH- 503, 503L	110VAC	6.3V	1.0W	6V	40mA	Ø30
		6.3V, 12V, 24V	1.0W			Ø30
KH- 504, 504L	220VAC	6.3V	1.0W	6V	40mA	Ø30
KH- 505, 505L	380VAC	6.3V	1.0W	6V	40mA	Ø30
KH- 505- 25, 505L- 25	380VAC	6.3V	1.0W	6V	40mA	Ø25
KH- 506, 506L	440VAC	6.3V	1.0W	6V	40mA	Ø30
KH- 506- 25, 506L- 25	440VAC	6.3V	1.0W	6V	40mA	Ø25

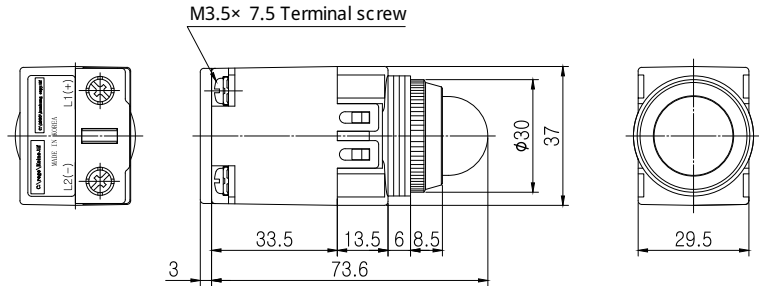
※ Red, green, yellow, white, blue and orange color available

CONTROL COMPONENT

Dimensions

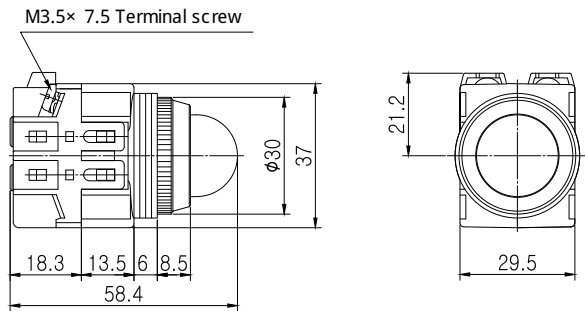
KH- 501, KH- 502
KH- 501L, KH- 502L
KH- 501DL(110VDC)

LAMP: E10/14



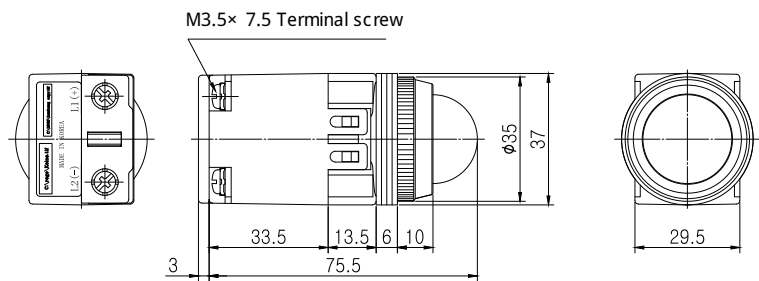
KH- 501TL
KH- 501DL(6, 12, 24VDC)

LAMP: BA9s



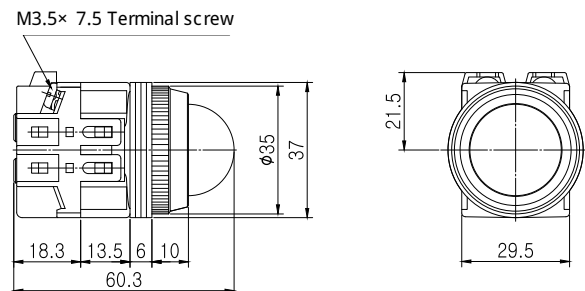
KH- 503, KH- 504
KH- 505, KH- 506
KH- 503L, KH- 503DL(110VDC)
KH- 504L, KH- 505L, KH- 506L

LAMP: E10/14



KH- 503TL
KH- 503DL(6, 12, 24VDC)

LAMP: BA9s



CONTROL COMPONENT

Specification

Material	Housing	ABS	Ring	ABS (chrome PLATED)	Cap	AS
Standards	This product comply with "Standards for low- voltage switching devices" EN IEC 60947- 5- 1					
Contact Ratings	250VAC 6A (resistive load)					
Insulation Resistance	Minimum 100MΩ (500VDC)					
Contact Resistance	Maximum 30mΩ					
Electrical Lifetime	Filament lamp: 1,000 hours LED lamp: 15,000 hours					
Dielectric Strength	Between Live Parts: 1,500VAC(50/60Hz) for 1 minute Between Live and Dead Parts: 1,500VAC(50/60Hz) for 1 minute					
Operational Temperature	- 15°C □+50°C					
Operational Humidity	45 □85%RH					
Protection Degree	IP50					
Shock Resistance	Approximately 50G					
Vibration Resistance	10 □55Hz double amplitude 0.75mm (at X, Y and Z axis)					
Approbations	KC					
Declaration of Conformity	NONE					

CONTROL COMPONENTS

MICRO SWITCH

FOOT SWITCH

LIMIT SWITCH

POWER SWITCH

HOIST SWITCH

CAM SWITCH

CONTROL COMPONENT

KH-51X Series ILLUMINATED PUSHBUTTON SWITCH

CLASSIFICATION

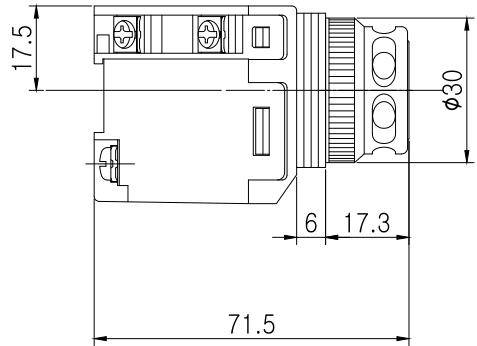
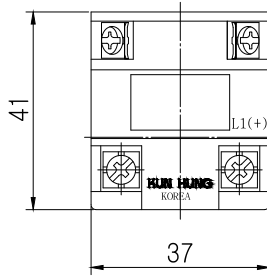
	INPUT VOLTAGE	FILAMENT LAMP		LED LAMP		DIAMETER
		VOLTAGE	POWER CONSUMPTION	VOLTAGE	POWER CONSUMPTION	
KH- 511	110VAC	6.3VAC	1.0W	-	-	Ø25
KH- 512	220VAC	6.3VAC	1.0W	-	-	Ø25
KH- 511L	110VAC	-	-	6V	40mA	Ø25
KH- 511L	220VAC	-	-	6V	40mA	Ø25
KH- 512L	220VAC	-	-	6V	40mA	Ø25
KH- 511TL	6.3V	6.3V	1.0W	-	-	Ø25
KH- 511TL	12V	12V	1.0W	-	-	Ø25
KH- 511TL	24V	24V	1.0W	-	-	Ø25
KH- 511DL	6VDC	-	-	6V	20mA	Ø25
KH- 511DL	12VDC	-	-	12V	20mA	Ø25
KH- 511DL	24VDC	-	-	24V	20mA	Ø25
KH- 511DL	48VDC	-	-	24V	20mA	Ø25
KH- 511DL	100VDC	-	-	24V	20mA	Ø25
KH- 511DL	125VDC	-	-	24V	20mA	Ø25
KH- 511DL	200VDC	-	-	24V	20mA	Ø25
KH- 513	110VAC	6.3VAC	1.0W	-	-	Ø30
KH- 514	220VAC	6.3VAC	1.0W	-	-	Ø30
KH- 513L	110VAC	-	-	6V	40mA	Ø30
KH- 514L	220VAC	-	-	6V	40mA	Ø30
KH- 513TL	6.3V	6.3V	1.0W	-	-	Ø30
KH- 513TL	12V	12V	1.0W	-	-	Ø30
KH- 513TL	24V	24V	1.0W	-	-	Ø30
KH- 513DL	6VDC	-	-	6V	20mA	Ø30
KH- 513DL	12VDC	-	-	12V	20mA	Ø30
KH- 513DL	24VDC	-	-	24V	20mA	Ø30
KH- 513DL	48VDC	-	-	24V	20mA	Ø30
KH- 513DL	100VDC	-	-	24V	20mA	Ø30
KH- 513DL	125VDC	-	-	24V	20mA	Ø30
KH- 513DL	200VDC	-	-	24V	20mA	Ø30

※ Red, green, yellow, white, blue and orange color available

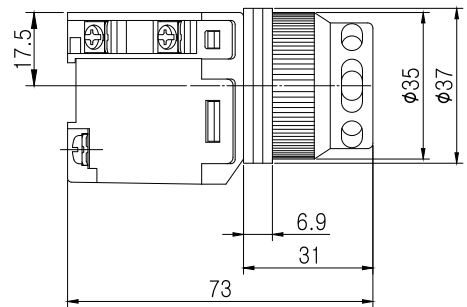
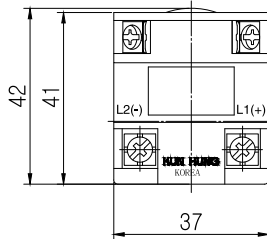
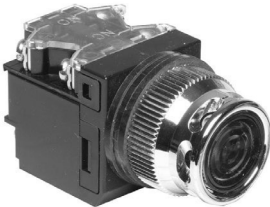
CONTROL COMPONENT

Dimensions

KH- 511(TL)
KH- 512(TL)



KH- 513(TL)
KH- 514(TL)



Specification

Material	Contact	Silver alloy + Copper	Housing	ABS	Ring	ABS (chrome PLATED)	Cap	AS
Mechanical Lifetime	250,000 Cycles of operation							
Standards	This product comply with "Standards for low- voltage switching devices" EN IEC 60947- 5- 1							
Contact Ratings	250VAC 6A (resistive load)							
Insulation Resistance	Minimum 100MΩ (500VDC)							
Contact Resistance	Maximum 30mΩ							
Electrical Lifetime	100,000 Cycles of peration							
Dielectric Strength	Between Live Parts: 1,500VAC(50/60Hz) for 1 minute Between Live and Dead Parts: 1,500VAC(50/60Hz) for 1 minute							
Operational Temperature	- 25° C □ +50° C							
Operational Humidity	45 □85% RH							
Protection Degree	IP40							
Shock Resistance	Approximately 50G							
Vibration Resistance	10 □5Hz double amplitude 0.75mm (at X, Y and Z axis)							
Approbations	KC							
Declaration of Conformity	NONE							