

## Power distribution blocks

Certification	Materials	Protection class
CE RoHS	Brass,zinc plated	IP20

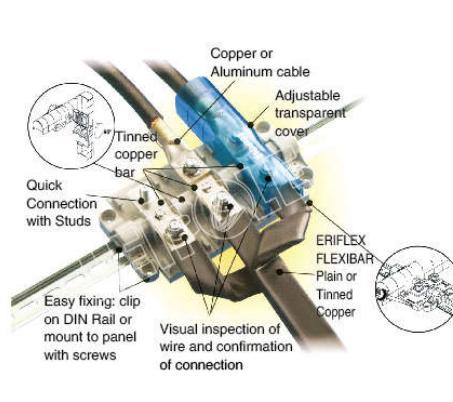
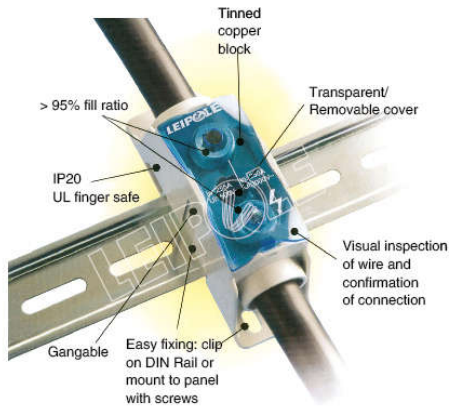
LEIPOLE



- Space saving: compact
- Tinned copper block: high conductivity
- IP 20 protection/UL finger-safe: improved safety
- Cable fixing screw diameters >95% fill ratio: excellent electrical contact, safe connections
- Visual inspection of wire: confirmation of connection
- Hinged or removable cover: easy wiring
- Clip-on DIN rail or mount to panel with screws: easy fixing



Certification	Materials	Protection class
CE RoHS	Brass, zinc plated	IP20



- ◆ Tested and certified according to IEC® 60947-7-1 Ui=1000 VAC
- ◆ Short circuit current rated up to 100 kA
- ◆ Halogen free
- ◆ UL94V-0
- ◆ RoHS Compliant

### JUKH 125

Order number: 5012.126

I=125 A IEC

I=150 A UL/CSA

Icw KA rms 1s:4.2

IPk KA:25

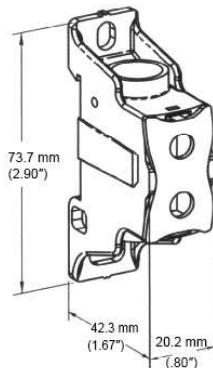
Ui:1000 V AC/DC IEC

Vin:600 V UL

- ◆ Modular: individual modules are stackable for multipole applications.
- ◆ Installation Hole: 61.6mm(2.43")



- Tinned Copper Block: Copper or Aluminum Cables
- Visual inspection of wire and confirmation of connection
- Halogen Free
- IP 20 UL® Finger Safe
- 95% Fill Ratio
- Self extinguishing: UL94 V-0
- Easy fixing: clip on din rail or mount to panel with screws
- RoHS Compliant



JUKH125 125A-IEC

METRIC	mm²	I(N.m)	mm²	I(N.m)	
	10...35	6.4	10...35	8.5	x 1
	10...35	6.4	10...35	8.5	x 1

IMPERIAL	AWG	I(in/lb)	
	8...1/0	57	x 1
	8...1/0	57	x 1

### JUKH 250

Order number: 5012.127

I=250 A IEC

I=255 A UL/CSA

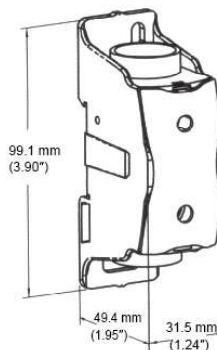
Icw KA rms 1s:14.4

IPk KA:42

Ui:1000 V AC/DC IEC

Vin:600 V UL

- ◆ Modular: individual modules are stackable for multipole applications.
- ◆ Installation Hole: 82.9mm×7.4mm (3.26"×0.29")



JUKH250 250A-IEC

METRIC	mm²	I(N.m)	
	35...120	19	x 1
	35...120	19	x 1

IMPERIAL	AWG	I(in/lb)	
	6...250Kcmil	168	x 1
	6...250Kcmil	168	x 1

Certification	Materials	Protection class
CE RoHS	Brass,zinc plated	IP20



### UKK 80A

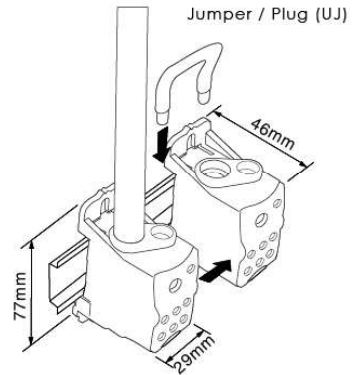
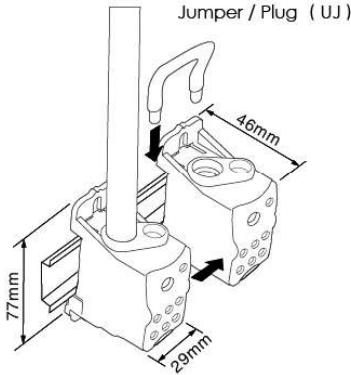
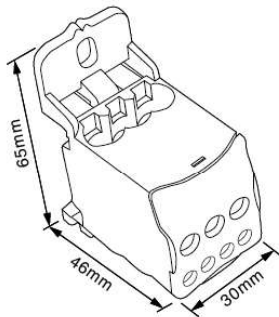
### UKK 125A

### UKK 160A

Order number: <b>5012.006</b>
I=80 A IEC 60947-7-1
I=85 Amp UL/CSA
▪ Icw KA rms Is: 3
▪ IPk KA: 22
▪ Ui: 690V IEC
▪ Vin: 600 V UL
Installation Hole: 54mm
Modular - keeping only one input, the blocks can be connected in parallel using a jumper wire. Easily double or triple the neutral.

Order number: <b>5012.007</b>
I=125 A IEC 60947-7-1
I=150 Amp UL/CSA
▪ Icw KA rms Is: 4.2
▪ IPk KA: 30
▪ Ui: 690V IEC
▪ Vin: 600 V UL
Installation Hole: 64mm
Modular - keeping only one input, the blocks can be connected in parallel using a jumper wire. Easily double or triple the neutral.

Order number: <b>5012.008</b>
I=160 A IEC 60947-7-1
I=200 Amp UL/CSA
▪ Icw KA rms Is: 11.8
▪ IPk KA: 30
▪ Ui: 690V IEC
▪ Vin: 600 V UL
Installation Hole: 64mm
Modular - keeping only one input, the blocks can be connected in parallel using the jumper. Easily double the neutral.



Metric system	mm <sup>2</sup>			[(N.m)]
	6...16	x1		2.5
	2.5...6	x4		1.8
	2.5...16	x2		2.5

Metric system	mm <sup>2</sup>			[(N.m)]
	10...35	x1		4.0
	6...16**	x1		2.5
	2.5...16	x6		2.5

Metric system	mm <sup>2</sup>			[(N.m)]
	10...70	x1		5.5
	6...16**	x1		2.5
	2.5...16	x6		2.5

\*\* or common jumper

\*\* or common jumper

U.S. Regulations	AMG			Torque
	16...4	x1		17.5
	16...8	x4		10.6
	16...4	x2		17.5

U.S. Regulations	AMG			Torque
	8...1/0	x1		35
	14...4	x1		17.5
	14...4	x6		17.5

U.S. Regulations	AMG			Torque
	8...3/0	x1		56
	14...4	x1		17.5
	14...4	x6		17.5

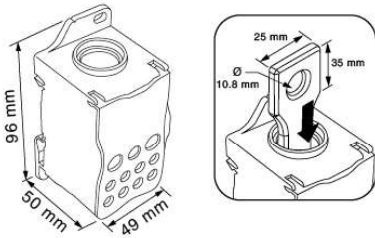
Certification	Materials	Protection class
CE RoHS	Brass, zinc plated	IP20



### UKK 250A

Order number: <b>5012.009</b>
I=250 A IEC 60947-7-1
I=255 Amp UL/CSA
<ul style="list-style-type: none"> <li>l<sub>cw</sub> KA rms Is: 24.5</li> <li>IPk KA: 51</li> <li>Ui: 690V IEC</li> <li>Vin: 600 V UL</li> </ul>
Installation Hole: 85×29mm
Modular - allows versatile building of power blocks single pole, two pole, three pole or four pole.

Flexible with TF 250A busbar connection with the TH



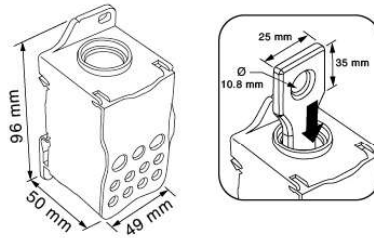
Metric system	mm <sup>2</sup>	mm <sup>2</sup>		Γ (N.m)
	35...120		x1	16
	6...35	6...25	x2	4.0
	2.5...16	2.5...16	x5	2.7
	2.5...10	2.5...10	x4	2.5

U.S. Regulations	AMG		Torque
	6...250 Kcmil	x1	201
	14...1	x2	35
	14...4	x5	24
	14...6	x4	17.5

### UKK 400A

Order number: <b>5012.010</b>
I=400 A IEC 60947-7-1
I=335 Amp UL/CSA
<ul style="list-style-type: none"> <li>l<sub>cw</sub> KA rms Is: 24.5</li> <li>IPk KA: 51</li> <li>Ui: 690V IEC</li> <li>Vin: 600 V UL</li> </ul>
Installation Hole: 85×29mm
Modular - allows versatile building of power blocks single pole, two pole, three pole or four pole.

Flexible with TF 400A busbar connection with the TH



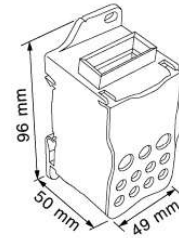
Metric system	mm <sup>2</sup>	mm <sup>2</sup>		Γ (N.m)
	95...185		x1	20
	6...35	6...25	x2	4.0
	2.5...16	2.5...16	x5	2.7
	2.5...10	2.5...10	x4	2.5

U.S. Regulations	AMG		Torque
	3/0...400 Kcmil	x1	221
	14...1	x2	35
	14...4	x5	24
	14...6	x4	17.5

### UKK 500A

Order number: <b>5012.011</b>
I=500 A IEC 60947-7-1
I=520 Amp UL/CSA
<ul style="list-style-type: none"> <li>l<sub>cw</sub> KA rms Is: 24.5</li> <li>IPk KA: 51</li> <li>Ui: 690V IEC</li> <li>Vin: 600 V UL</li> </ul>
Installation Hole: 85×29mm
Modular - keeping only one input, the blocks can be connected in parallel using the jumper. Easily double the neutral.

Directly with TH flexible busbar connection



TH flexible busbar	
	4 x 15.5 x 0.8
	6 x 15.5 x 0.8
	2 x 20 x 1
	3 x 20 x 1
	4 x 20 x 1
	5 x 20 x 1
	6 x 20 x 1
	2 x 24 x 1
	3 x 24 x 1
	4 x 24 x 1
	5 x 24 x 1
	6 x 24 x 1
	8 x 24 x 1

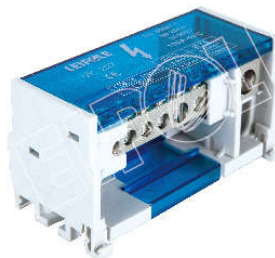
Metric system	mm <sup>2</sup>	mm <sup>2</sup>		Γ (N.m)
	4x15.5x0.8 ...8x24x1	4x15.5x0.8 ...8x24x1		2.5
	6...35	6...25	x2	4.0
	2.5...16	2.5...16	x5	2.7
	2.5...10	2.5...10	x4	2.5

U.S. Regulations	AMG		Torque
	4x15.5x0.8 ...8x24x1		17.5
	14...1	x2	35
	14...4	x5	24
	14...6	x4	17.5

Certification	Materials	Protection class
CE RoHS	Polyester (PBT)	IP20

LEIPOLD offers a wide range of halogen-free, four pole distribution blocks. Also offered are single pole blocks and supports for assembling distribution blocks.

- ◆ Large accessibility in a minimal space  
Minimum space for maximum power
  - ◆ Easy fixing on all types of DIN rail or steel sheet
  - ◆ Safe and easy connections
  - ◆ Fixings provided for protective screen
  - ◆ High resistance to short-circuit forces
- Quick to install



UK 207

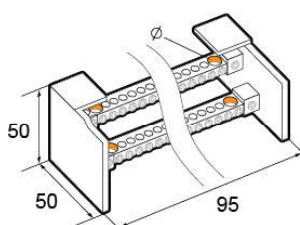
UK 407

Material: Flame Retardant Nylon (end plate bracket)

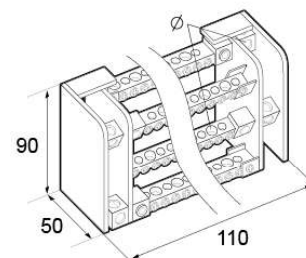
- ◆ Brass (terminal block)
- ◆ Steel (twist wire screw)
- ◆ PCS (cover)

Order number: 5012.001
<b>2 pole 100A EN 60947-1</b>
<b>UK-207 100A - 6 Terminal</b>
<ul style="list-style-type: none"> <li>• I<sub>cw</sub> kA rms Is: 4.5</li> <li>• IPk kA: 20</li> <li>• Ui: 500V</li> </ul>
Installation Hole: 45mm

Order number: 5012.002
<b>4 pole 125A EN 60947-1</b>
<b>UK-407 125A - 6 Terminal</b>
<ul style="list-style-type: none"> <li>• I<sub>cw</sub> kA rms Is: 4.5</li> <li>• IPk kA: 20</li> <li>• Ui: 500V</li> </ul>
Installation Hole: mm



Install Pitch: 45mm

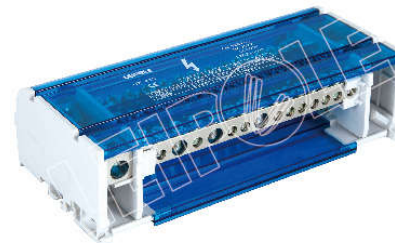


Install Pitch: 89mm

Metric system	mm <sup>2</sup>	mm <sup>2</sup>	Ø	I(N.m)
	10 ■ 35	10 ■ 25	x1	8,5
	1,5 ■ 4	0.75 ■ 4	x3	4,5
	2,5 ■ 6	1,5 ■ 6	x3	5,5

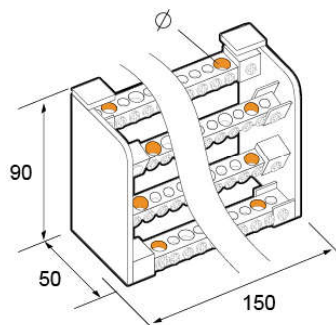
Metric system	mm <sup>2</sup>	mm <sup>2</sup>	Ø	I(N.m)
	10 ■ 35	10 ■ 35	x1	9,5
	2,5 ■ 6	1,5 ■ 6	x5	5,5
	10 ■ 25	6 ■ 16	x1	7,5

Certification	Materials	Protection class
CE RoHS	Polyester (PBT)	IP20



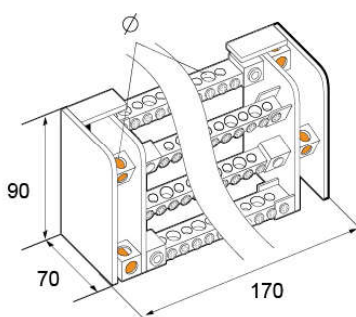
### UK 411

Order number: <b>5012.003</b>
<b>4 pole 100A EN 60947-1</b>
<b>UK-411 100A - 10 Terminal</b>
<ul style="list-style-type: none"> <li>• I<sub>cw</sub> kA rms Is: 4.5</li> <li>• IPk kA: 20</li> <li>• Ui: 500V</li> </ul>
Installation Hole: 80mm
Install pitch:



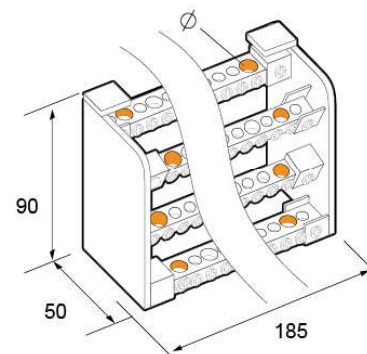
### UK 412

Order number: <b>5012.004</b>
<b>4 pole 160A EN 60947-1</b>
<b>UK-412 160A - 11 Terminal</b>
<ul style="list-style-type: none"> <li>• I<sub>cw</sub> kA rms Is: 4.5</li> <li>• IPk kA: 20</li> <li>• Ui: 500V</li> </ul>
Installation Hole: 45mm
Install pitch:



### UK 415

Order number: <b>5012.005</b>
<b>4 pole 125A EN 60947-1</b>
<b>UK-415 125A - 14 Terminal</b>
<ul style="list-style-type: none"> <li>• I<sub>cw</sub> kA rms Is: 4.5</li> <li>• IPk kA: 20</li> <li>• Ui: 500V</li> </ul>
Installation Hole: 110mm
Install pitch:



Metric system	mm²	mm²	Ø	I(N.m)	
	10 ■ 35	10 ■ 25	x2	8,5	2-3
	1,5 ■ 4	0,75 ■ 4	x4	4,5	1,2-1,5
	2,5 ■ 6	1,5 ■ 6	x5	5,5	2-3

Metric system	mm²	mm²	Ø	I(N.m)	
	10 ■ 50	10 ■ 50	x1	12	8-10
	10 ■ 35	10 ■ 25	x3	8,5	2-3
	2,5 ■ 16	1,5 ■ 16	x8	7	2-3

Metric system	mm²	mm²	Ø	I(N.m)	
	10 ■ 35	10 ■ 25	x2	8,5	2-3
	1,5 ■ 4	0,75 ■ 4	x6	4,5	1,2-1,5
	2,5 ■ 6	1,5 ■ 6	x7	5,5	2-3

Certification	Materials	Protection class
CE RoHS	PA66	IP20



**PDB 160.01**

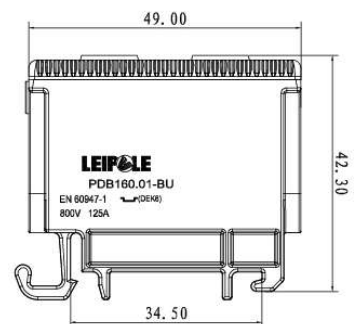
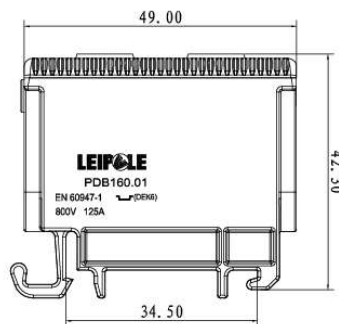
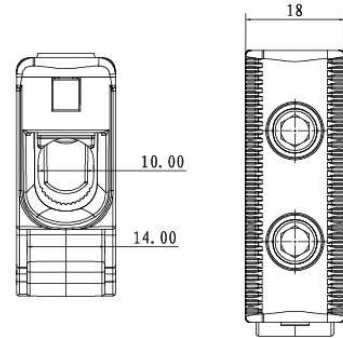
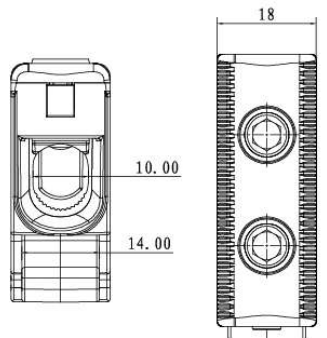
Order number: [5012.140](#)

- I=125A
- IEN 60947-7-1
- Ui: 800V IEC
- Cu 2.5-50mm<sup>2</sup>
- Al 6-50mm<sup>2</sup>

**PDB 160.01-BU**

Order number: [5012.141](#)

- I=125A
- IEN 60947-7-1
- Ui: 800V IEC
- Cu 2.5-50mm<sup>2</sup>
- Al 6-50mm<sup>2</sup>



# Terminal Blocks

## PDB 160.01-PE/PDB 160.03

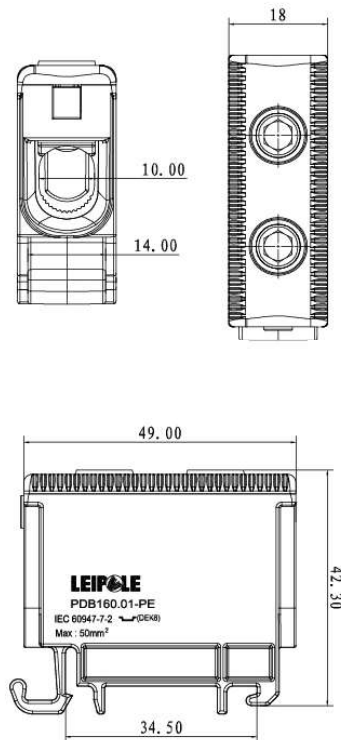
Certification	Materials	Protection class
CE RoHS	PA66	IP20

Cabinet Components



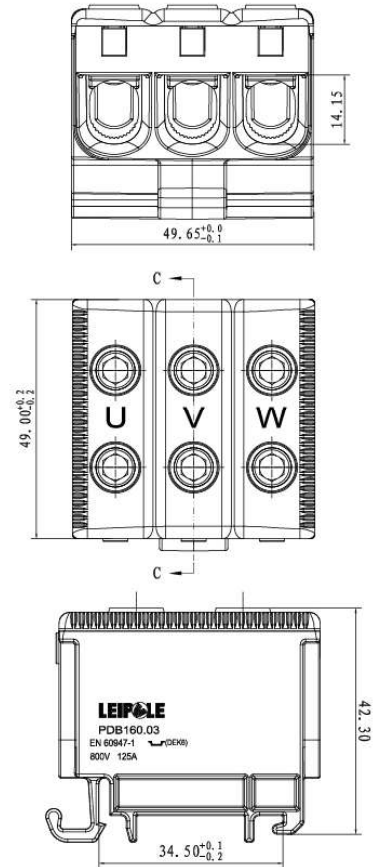
### PDB 160.01-PE Order number: 5012.142

- IEN 60947-7-2
- Cu 2.5-50mm<sup>2</sup>
- Al 6-50mm<sup>2</sup>



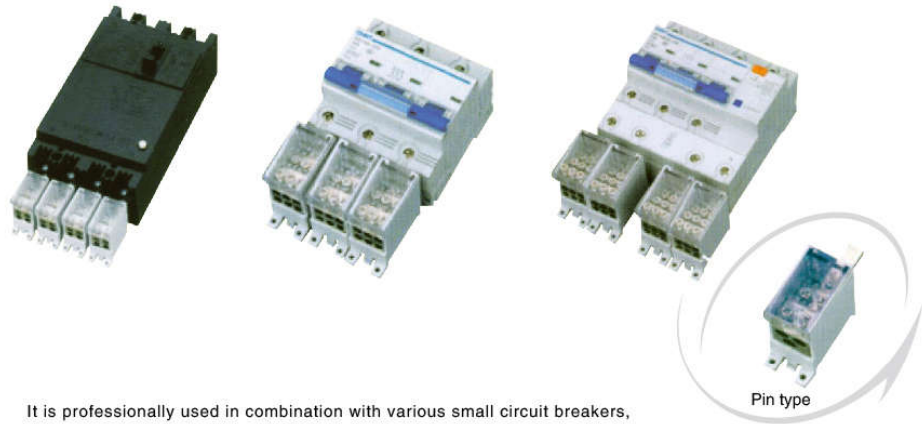
### PDB 160.03 Order number: 5012.143

- I=125A
- IEN 60947-7-1
- Ui: 800V IEC
- Cu 2.5-50mm<sup>2</sup>
- Al 6-50mm<sup>2</sup>





Certification	Materials	Protection class
CE RoHS	PBT	IP20



It is professionally used in combination with various small circuit breakers, leakage circuit breakers and air switches.



Model	Order number
<b>UKK6G/158/2 x 16</b>	<b>5012.027</b>
One way in, two way out	
Incoming line: (100 type) pin type	
Outgoing line: 1.5–16mm <sup>2</sup>	



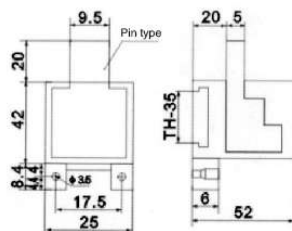
Model	Order number
<b>UKK6G/158/3 x 10</b>	<b>5012.028</b>
One way in, three way out	
Incoming line: (100 type) pin type	
Outgoing line: 1.5–10mm <sup>2</sup>	



Model	Order number
<b>UKK6G/158/4 x 16</b>	<b>5012.029</b>
One way in, four way out	
Incoming line: (100 type) pin type	
Outgoing line: 1.5–16mm <sup>2</sup>	



Model	Order number
<b>UKK6G/158/6 x 16</b>	<b>5012.030</b>
One way in, six ways out	
Incoming line: (100 type) pin type	
Outgoing line: 1.5–16mm <sup>2</sup>	



Installation dimensions  
UKK6G/158 (Type 100)



Model	Order number
<b>UKK6G/158/8 x 10</b>	<b>5012.031</b>
One way in, eight ways out	
Incoming line: (100 type) pin type	
Outgoing line: 1.5–10mm <sup>2</sup>	



Model	Order number
<b>UKK6G/158/9 x 10</b>	<b>5012.032</b>
One way in, nine way out	
Incoming line: (100 type) pin type	
Outgoing line: 1.5–10mm <sup>2</sup>	

# Switch Terminal

## UKK6G-100/10-35 series Switch Terminal

Cabinet Components

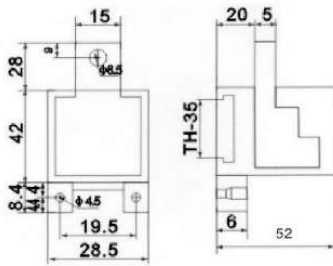
Certification	Materials	Protection class
CE RoHS	PBT	IP20



Model	Order number
<b>UKK6G-100/10-35/2 x 25</b>	<b>5012.033</b>
One way in, two way out	
Inlet: 10-35mm <sup>2</sup> , Outlet: 1.5-25mm <sup>2</sup>	



Model	Order number
<b>UKK6G-100/10-35/3 x 16</b>	<b>5012.034</b>
One way in, three way out	
Inlet: 10-35mm <sup>2</sup> , Outlet: 1.5-16mm <sup>2</sup>	



Installation dimensions  
UKK6G-100/10-35



Model	Order number
<b>UKK6G-100/10-35/4 x 16</b>	<b>5012.035</b>
One way in, four way out	
Inlet: 10-35mm <sup>2</sup> , Outlet: 1.5-16mm <sup>2</sup>	



Model	Order number
<b>UKK6G-100/10-35/6 x 16</b>	<b>5012.036</b>
One way in, six ways out	
Inlet: 10-35mm <sup>2</sup> , Outlet: 1.5-16mm <sup>2</sup>	



Model	Order number
<b>UKK6G-100/10-35/12 x 10</b>	<b>5012.039</b>
One way in, twelve way out	
Inlet: 10-35mm <sup>2</sup> , Outlet: 1.5-10mm <sup>2</sup>	



Model	Order number
<b>UKK6G-100/10-35/8 x 10</b>	<b>5012.037</b>
One way in, eight ways out	
Inlet: 10-35mm <sup>2</sup> , Outlet: 1.5-10mm <sup>2</sup>	



Model	Order number
<b>UKK6G-100/10-35/9 x 16</b>	<b>5012.038</b>
One way in, nine way out	
Inlet: 10-35mm <sup>2</sup> , Outlet: 1.5-16mm <sup>2</sup>	

# Switch Terminal

## UKK6G-250/16-50 series Switch Terminal

Certification	Materials	Protection class
CE RoHS	PBT	IP20

LEIPOLE



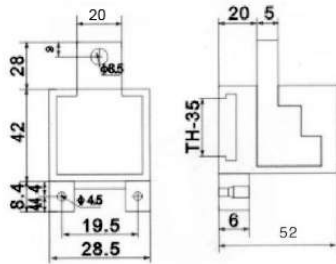
Professionally used in combination with 160, 225, 250 circuit breakers, leakage circuit breakers, and air switches. Easy connection, no need for wire transition, high contact cross section, wide range of wire diameters.



Model	Order number
<b>UKK6G-250/16-50/2 x 25</b>	<b>5012.040</b>
One way in, two way out	
Inlet: 16-35mm <sup>2</sup> , Outlet: 1.5-25mm <sup>2</sup>	



Model	Order number
<b>UKK6G-250/16-50/3 x 16</b>	<b>5012.041</b>
One way in, three way out	
Inlet: 16-50mm <sup>2</sup> , Outlet: 1.5-16mm <sup>2</sup>	



Installation dimensions  
UKK6G-250/16-50



Model	Order number
<b>UKK6G-250/16-50/4 x 16</b>	<b>5012.042</b>
One way in, four way out	
Inlet: 16-50mm <sup>2</sup> , Outlet: 1.5-16mm <sup>2</sup>	



Model	Order number
<b>UKK6G-250/16-50/6 x 16</b>	<b>5012.043</b>
One way in, six ways out	
Inlet: 16-50mm <sup>2</sup> , Outlet: 1.5-16mm <sup>2</sup>	



Model	Order number
<b>UKK6G-250/16-50/12 x 10</b>	<b>5012.046</b>
One way in, twelve way out	
Inlet: 16-50mm <sup>2</sup> , Outlet: 1.5-10mm <sup>2</sup>	



Model	Order number
<b>UKK6G-250/16-50/8 x 10</b>	<b>5012.044</b>
One way in, eight ways out	
Inlet: 16-50mm <sup>2</sup> , Outlet: 1.5-10mm <sup>2</sup>	

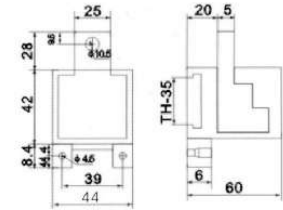


Model	Order number
<b>UKK6G-250/16-50/9 x 16</b>	<b>5012.045</b>
One way in, nine way out	
Inlet: 16-50mm <sup>2</sup> , Outlet: 1.5-16mm <sup>2</sup>	

# Switch Terminal

## UKK6G-400/25-70 series Switch Terminal

Certification	Materials	Protection class
CE RoHS	PBT	IP20



Installation dimensions  
UKK6G-400/25-70

It is professionally used in combination with 400 type circuit breakers, leakage circuit breakers and air switches. Easy connection, no need for wire transition, high contact cross section, wide range of wire diameters.



Model	Order number
<b>UKK6G-400/25-70/2 x 16</b>	<b>5012.047</b>
One way in, two way out	
Inlet: 25-70mm <sup>2</sup> , Outlet: 1.5-16mm <sup>2</sup>	



Model	Order number
<b>UKK6G-400/25-70/3 x 16</b>	<b>5012.048</b>
One way in, three way out	
Inlet: 25-70mm <sup>2</sup> , Outlet: 1.5-16mm <sup>2</sup>	



Model	Order number
<b>UKK6G-400/25-70/4 x 16</b>	<b>5012.049</b>
One way in, four way out	
Inlet: 25-70mm <sup>2</sup> , Outlet: 1.5-16mm <sup>2</sup>	



Model	Order number
<b>UKK6G-400/25-70/6 x 16</b>	<b>5012.050</b>
One way in, six ways out	
Inlet: 25-70mm <sup>2</sup> , Outlet: 1.5-16mm <sup>2</sup>	



Model	Order number
<b>UKK6G-400/25-70/8 x 16</b>	<b>5012.051</b>
One way in, eight ways out	
Inlet: 25-70mm <sup>2</sup> , Outlet: 1.5-16mm <sup>2</sup>	



Model	Order number
<b>UKK6G-400/25-70/10 x 16</b>	<b>5012.052</b>
One way in, ten way out	
Inlet: 25-70mm <sup>2</sup> , Outlet: 1.5-16mm <sup>2</sup>	



Model	Order number
<b>UKK6G-400/25-70/12 x 16</b>	<b>5012.053</b>
One way in, twelve way out	
Inlet: 25-70mm <sup>2</sup> , Outlet: 1.5-16mm <sup>2</sup>	

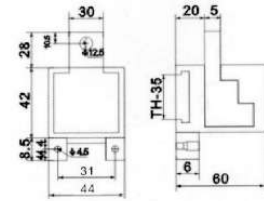


Model	Order number
<b>UKK6G-400/25-70/16 x 10</b>	<b>5012.054</b>
One way in, sixteen way out	
Inlet: 25-70mm <sup>2</sup> , Outlet: 1.5-10mm <sup>2</sup>	



Model	Order number
<b>UKK6G-400/25-70/18 x 10</b>	<b>5012.055</b>
One way in, eighteen way out	
Inlet: 25-70mm <sup>2</sup> , Outlet: 1.5-10mm <sup>2</sup>	

Certification	Materials	Protection class
CE RoHS	PBT	IP20



Installation dimensions  
UKK6G-600/35-90

It is professionally used in combination with 600 type circuit breakers, leakage circuit breakers and air switches. Easy connection, no need for wire transition, high contact cross section, wide range of wire diameters.



Model	Order number
<b>UKK6G-600/35-95/2 x 25</b>	<b>5012.056</b>
One way in, two way out	
Inlet: 35-95mm <sup>2</sup> , Outlet: 1.5-25mm <sup>2</sup>	



Model	Order number
<b>UKK6G-600/35-95/3 x 16</b>	<b>5012.057</b>
One way in, three way out	
Inlet: 35-95mm <sup>2</sup> , Outlet: 1.5-16mm <sup>2</sup>	



Model	Order number
<b>UKK6G-600/35-95/4 x 16</b>	<b>5012.058</b>
One way in, four way out	
Inlet: 35-95mm <sup>2</sup> , Outlet: 1.5-16mm <sup>2</sup>	



Model	Order number
<b>UKK6G-600/35-95/6 x 16</b>	<b>5012.059</b>
One way in, six ways out	
Inlet: 35-95mm <sup>2</sup> , Outlet: 1.5-16mm <sup>2</sup>	



Model	Order number
<b>UKK6G-600/35-95/8 x 16</b>	<b>5012.060</b>
One way in, eight ways out	
Inlet: 35-95mm <sup>2</sup> , Outlet: 1.5-16mm <sup>2</sup>	



Model	Order number
<b>UKK6G-600/35-95/10 x 16</b>	<b>5012.061</b>
One way in, ten way out	
Inlet: 35-95mm <sup>2</sup> , Outlet: 1.5-16mm <sup>2</sup>	



Model	Order number
<b>UKK6G-600/35-95/12 x 16</b>	<b>5012.062</b>
One way in, twelve way out	
Inlet: 35-95mm <sup>2</sup> , Outlet: 1.5-16mm <sup>2</sup>	



Model	Order number
<b>UKK6G-600/35-95/16 x 10</b>	<b>5012.063</b>
One way in, sixteen way out	
Inlet: 35-95mm <sup>2</sup> , Outlet: 1.5-10mm <sup>2</sup>	



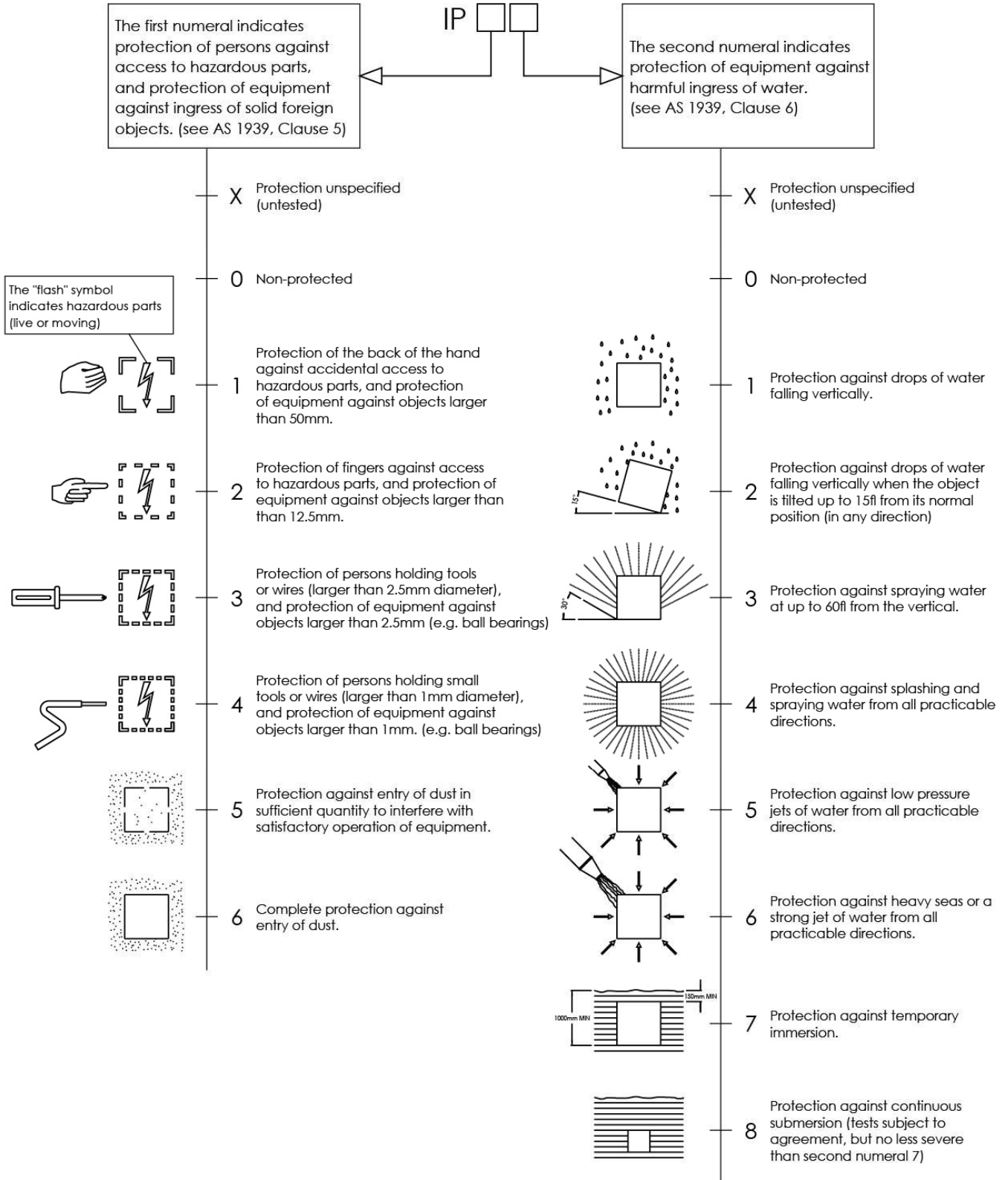
Model	Order number
<b>UKK6G-600/35-95/18 x 10</b>	<b>5012.064</b>
One way in, eighteen way out	
Inlet: 35-95mm <sup>2</sup> , Outlet: 1.5-10mm <sup>2</sup>	

# IP RATING CHART

Protection of persons and protection of equipment indicated by the IP code.

Protection provided by enclosures for electrical equipment is indicated by the IP codes two:

## CHARACTERISTIC NUMERALS



V22.11

