



Pratika Industrial plugs and sockets

Catalogue 2022
Low and Extra-Low voltage



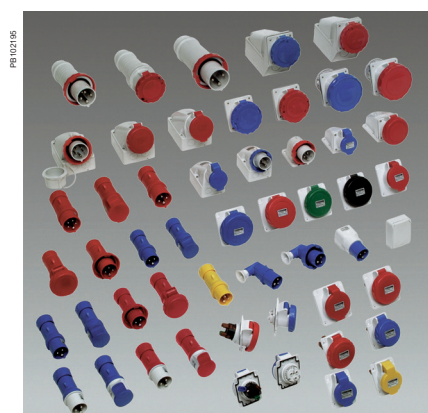
se.com

Life Is On

Schneider
Electric

PratiKa plugs and sockets

Contents



PR102195

Presentation 4

| | |
|--|-----------|
| PratiKa plugs and sockets | 4 |
| General presentation | 4 |
| Low voltage and extra-low voltage | 5 |
| Sockets with interlock switch | 8 |
| Serie Unika | 10 |
| Serie Isoblock | 11 |
| Kaedra system | 12 |

Plugs 14

| | |
|-------------------------------------|-----------|
| PratiKa plugs | 14 |
| Low voltage | 14 |
| Selection guide | 14 |
| Wander plugs | 16 |
| Wander plugs angled 90° | 17 |
| Wall-mounted plugs | 18 |
| Wall-mounted plugs with back box | 19 |
| Panel-mounted plugs | 20 |
| System adapters | 21 |
| Plugs with phase inverter | 22 |
| Extra-low voltage | 24 |
| Selection guide | 24 |
| Wander plugs and wall-mounted plugs | 25 |



PR102196

Sockets 26

| | |
|---|-----------|
| PratiKa sockets | 26 |
| Low voltage | 26 |
| Selection guide | 26 |
| Wander sockets | 28 |
| Wall-mounted sockets | 29 |
| Wall-mounted sockets with Back box | 30 |
| Back box wall-mounted for PratiKa panel and sockets | 31 |
| Panel-mounted angled and straight sockets | 32 |
| Multiple adapters | 34 |
| Domestic panel-mounted sockets | 35 |
| Extra-low voltage | 36 |
| Selection guide | 36 |
| Wander sockets | 38 |
| Panel-mounted and wall-mounted sockets | 39 |
| With interlock switch | 40 |
| Unika - Isoblock / Selection guide | 40 |
| Unika series / Panel-mounted version | 42 |
| Unika series / Wall-mounted version | 43 |
| Unika series / Panel-mounted and wall-mounted version | 44 |
| Unika series / Installation flexibility | 45 |
| Unika series / Wall and embedded-box | 46 |
| Unika series / Modular bases | 47 |
| Isoblock series / Wall-mounted version | 48 |
| Isoblock series / Modular panels | 50 |



PR102197

Plugs and sockets for containers 52

| | |
|----------------------------------|-----------|
| PratiKa plugs and sockets | 52 |
| Low voltage | 52 |
| Selection guide | 52 |
| Solution for container | 54 |



| | |
|--|-----------|
| Kaedra system | 56 |
| Kaedra system | 56 |
| Fitting system | 56 |
| Plaques and accessories | 57 |
| Accessories | 58 |
| Kaedra system | 58 |
| Technical guide | 60 |
| General information | 60 |
| Degree of protection IP | 62 |
| Degree of protection IK | 63 |
| Behaviour to abnormal heat and to fire | 64 |
| Behaviour to chemical agents | 65 |
| Summary table of identification and interchangeability | 66 |
| Dimensions | 68 |
| PratiKa plugs and sockets | 68 |
| Low voltage | 68 |
| Wander plugs and sockets | 68 |
| Plugs with phase inverter - Systems adapters | 69 |
| Wall-mounted plugs | 70 |
| Panel-mounted plugs - Wall-mounted sockets | 71 |
| Wall-mounted sockets | 72 |
| Panel-mounted sockets | 73 |
| PratiKa sockets with interlock switch | 76 |
| Unika | 76 |
| Isoblock | 78 |
| Kaedra System | 79 |
| Enclosures for sockets | 79 |
| Enclosures for modular devices | 80 |
| Interface enclosures / Universal enclosures | 81 |
| General code index | 82 |
| Index | 82 |



PratiKa plugs and sockets

General presentation



Additional safety is assured by sockets with electrical switch in which a mechanical lock avoid plug insertion and extraction on charge.



PratiKa offer includes the FAST patented solution: this innovative cabling system enables connection without stripping the conductor and with absolutely no screws required.

Sockets with interlock switch

Plugs and sockets

> Complete solutions:

- Quick to connect
- Safe to use
- Functional and ergonomic
- Easy and intuitive



Kaedra

Kaedra enclosures for PratiKa industrial sockets are part of a complete system of waterlight enclosures from 16 to 125 A, providing solutions for protection, control and electrical distribution for tertiary and industrial applications.

PratiKa plugs and sockets

Low voltage and extra-low voltage

PR102106



A complete range of high performance industrial plugs and sockets

The PratiKa range of industrial plugs and sockets is basically designed to suit all needs and all kinds of environments: tertiary sector, industry, building sites, workshops, agricultural sector, as well as indoor and outdoor of any kind of building.

This wide range of plugs and sockets is the result of Schneider's experience and know-how, it is a complete range, available for the 16 A, 32 A, 63 A and 125 A with degree of protection IP44 and IP67 in the wander, panel and wall versions.

These solutions are:

- fast to connect
- safe in the use
- functional and ergonomic
- easy and intuitive.

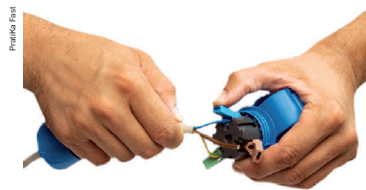
PR102239



A complete range of products to supply circuits with risks of direct and indirect contacts with live parts

The range includes 16 and 32 A versions available in different number of pole (2P and 3P).

PratiKa with FAST connection



The **FAST** connecting system is the most innovating solution of this series which guarantees the connection without stripping the conductor, in total absence of screw.

This logo is the guarantee of the new patented connecting system of the **FAST** series. This solution is dedicated to flexible cables both for the 16 A and 32 A.

PratiKa with SCREW connection

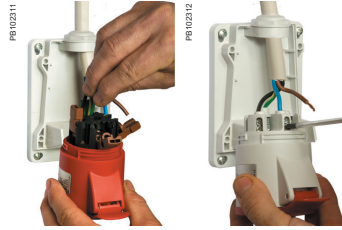


The **SCREW** version simplifies the most common cabling solution, having introduced the orientation of the screws which are completely open to speed the cabling.

PratiKa plugs and sockets

Low voltage and extra-low voltage

Wall plugs and sockets



Wall installations both for plugs and sockets can now be realised with PratiKa Wall IP44 available with the FAST and the SCREW solution, 16 A and 32 A.

Robustness due to rigid cover, stainless steel screws and high level of thermoplastic material permit the use in tertiary, industry and any sector.

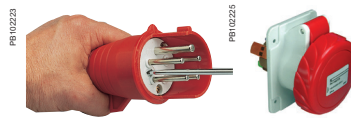
Complete solutions for 63 A and 125 A



The nickel-plated contacts, the stainless steel screws, and the high performing plastic materials, ensure the maximum protection even in very humid and corrosive environments.

A high performing thermoplastic material ensures the use in any aggressive environment in presence of oils and chemical agents.

Phase inverters and solutions for container



Phase inverters are designed to solve quickly and safely the problems concerning electrical connections of all rotary equipment.

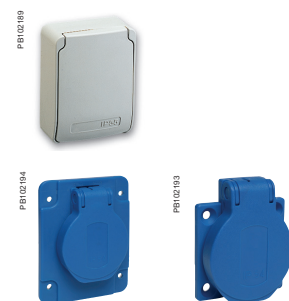
These plugs and sockets have been built to ensure maximum protection and guaranteed functioning also in highly aggressive and corrosive environments.

Wander plugs angled 90°



This version allows to reduce the bulk of connection between itself and a panel sockets and limits the mechanical stresses upon the cables, due to the absence of curves.

Domestic panel sockets

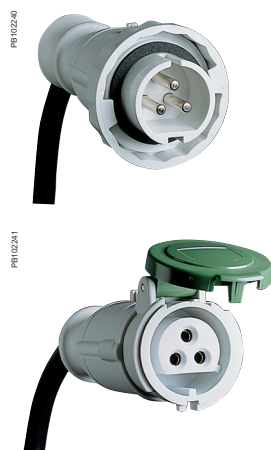


A range of domestic sockets IP54 is now available presenting "shutters" (child protection) in all versions, these devices permit to avoid harmful contact with the sleeves in presence of tension.

PratiKa plugs and sockets

Low voltage and extra-low voltage

Extra-low voltage sockets



The PratiKa extra-low voltage sockets and plugs ensure the non-interchangeability by means of two reference elements:

- a guide spline
- a secondary keyway.

In accordance with the IEC 309-1 and IEC 309-2 standard.

Sockets with safety transformers



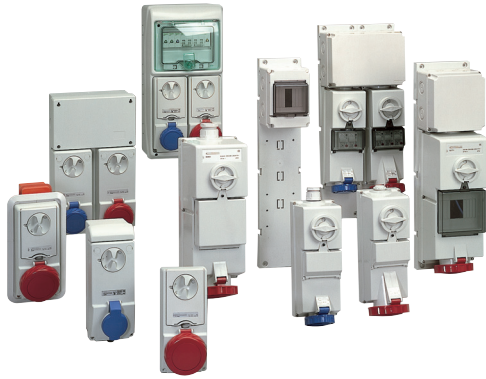
Unika series are used to power circuits with a voltage rating of 50 V maximum, in order to protect people from direct and indirect contacts, in conformity with IEC364 standards.

The units integrates the socket, the power transformer and the transformer protection from any overloading.

PratiKa plugs and sockets

Sockets with interlock switch

PR102249



A complete range in order to guarantee safety, reliability and functionality

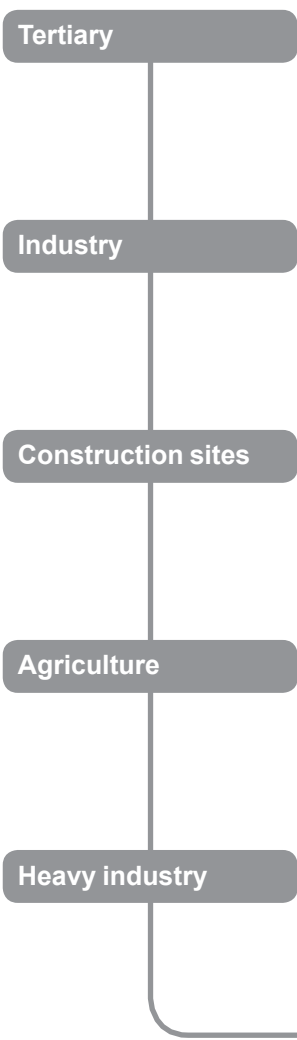
- Unika: highly functional features and very versatile installation system.
- Isoblock: for installation in high-risk areas.

In conformity with IEC 60309 standards, all the industrial sockets have a lock or holding mechanism, which keeps the plug firmly locked in the socket, preventing it from being pulled out involuntarily.

Sockets with an interlock switch have been designed to meet the safety requirements and, in particular, to prevent plug insertion or removal while the socket is under load.

Their interlocking device allows closure of the main switch and, subsequently, the power supply only when the plug is fully inserted in the socket, and when complete mechanical and electrical connection has occurred between the sleeves and pins. Plug removal is possible only when the switch is in the "off" position.

The use of these solutions is compulsory in accordance with the regulations in force, e.g. in places where there is a risk of explosion or fire. However, in order to prevent dangerous contacts capable of causing overheating and consequently insulation deterioration or the outbreak of a fire, it is always advisable to adopt this safety measures. In this way the user has the guarantee that current can only be accessed under optimum safety conditions with the plug correctly inserted.



PR102249



ACD-965-30



PR102250



LunaPrKa-30



PR102343



10230-30



PR102251



12044-30



Domain of applications

PratiKa plugs and sockets

Sockets with interlock switch

PR102262



Global solution for industrial installations

Compact, unified sizes, versions with IP44 and IP65 protection, panel and wall-mounted, with or without integrated protection, all sockets provide quick solutions to the most demanding applications.

Unika series provides

Safety

Equipped with a mechanical switch, which ensures the control and local isolating of parts of the plant or utilities to permit intervention on electrical circuits or machines in total safety.

The sockets are in conformity with IEC 60309-2 and IEC 60309-4 standards.

Protection

Have fuse-blocks with isolators placed under the front protection and accessible only when the switch is open and plug removed and, thus, in the total absence of voltage. Thanks to the fuse clips, the contact pressure on the fuses remains constant independent of installation operations, preventing excessive overheating, harmful to their functioning and duration.

Resistance

Provides guaranteed IP44 and IP65 protection against the penetration of solids and liquids, in conformity with the IEC 60529 and EN 60529 standards, while resistance to mechanical shocks is covered by IK09 protection, in conformity with IEC 62262 standards.

The structure and supporting frame of the equipment completely separated from the housing and the double walls, contribute to greatly increasing the mechanical resistance.

A complete range for heavy-duty applications

IP65 protection, IK10 shock resistance, high resistance to aggressive chemical and atmospheric agents, specifically designed for heavy-duty applications.

Isoblock series provides

High resistance

Made of special techno-polymers, provide ultra-high resistance to aggressive chemical and atmospheric agents and guarantee maximum protection even in difficult, hazardous environments.

Protection

Against the penetration of solids and liquids, in conformity with the IEC 60529 standards, while resistance to mechanical shocks is covered by IK10 protection, in conformity with IEC 62262 standards.

PR102263



PratiKa plugs and sockets

Sockets with interlock switch

Serie Unika

Unique because of the following:

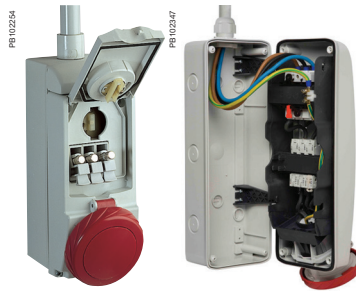
- one standard size 103 x 225 mm for 16 and 32 A sockets
- for IP44 and IP65 versions
- versions protected by fuses, without protection, with insulation transformers and with DIN rail for modular devices
- fitted wall-mounted, used individually, in combination or in the Kaedra system.

Compact size



Unika sockets 16 - 32 A with interlock switch come in one standard size of 103 x 225 mm, which makes them the most compact on the market, guaranteeing at the same time ultra-high performance in terms of safety and functionality.

Easy to install



Unika interlocked sockets series are very easy in installation thanks to:

- the same dimension of 16 and 32 A that can be easily interchanged on the 103 x 225 holes
- possibility to separate the body from the back box to facilitate the wall fixing and the wiring
- possibility to hang the body to comfortably cable the switch or MCBs (for 63A version)
- possibility of cable entrance from the top, from the bottom or from the side of the box.

Design



The range includes functional and optimized shapes for an standalone installation and for perfect integration with the unique Kaedra's enclosures.

The lines, the style and the shapes were conceived also on the basis of an easy manipulation and cabling.

Kaedra System and modular bases



Unika series sockets 16 and 32 A can be installed either on single enclosures or modular bases, and can be combined to form complete, totally protected banks. Also, they can be fitted on a Kaedra system socket panels designed specifically for Unika, enabling the construction of interlocked socket panels with the possibility of differential protection integrated.

Unika 63 can be easily associated to other interlocked sockets of Unika series both vertically or horizontally, possibility available also with the Kaedra system of watertight enclosures.

PratiKa plugs and sockets

Sockets with interlock switch

Serie Isoblock

Differentiated functions



- Version with carrier for CH 10.3 x 38 cylindrical fuses in the 16 e 32 A applications and with NEOZED in the 63 A applications.
- Version with DIN rail for installing any kind of modular equipment.

Modular panels



The cover of each individual interlocked socket can be easily removed enabling access for wiring and interconnections.

For the installation of associated interlocked sockets, modular panels are available ready-equipped with a junction box.

Sockets with interlock switch



The Isoblock series of 63-125 A with thermal-magnetic (with or without earth-fault protection) is now equipped with the Compact NSx circuit breaker, which give to the end-user lasting safety together with unsurpassed energy availability and very high electrical and technical features.

Socket combinations



Isoblock interlocked socket combinations consist of complete distribution units characterized by the high performance of the different sockets and, therefore, are intended for installation in hazardous environments.

They are easily combined with the connections devices supplied with each panel.

PratiKa plugs and sockets Kaedra system

009462N



The most complete range of solutions for protection, control and distribution panels for tertiary and industrial applications.

The new range of Kaedra system watertight enclosures provides solutions to all equipment installation problems, such as sockets, modular protection devices, buttons and indicator devices, etc., in environments where maximum protection is needed both for people and the electrical equipment.

The expected solution for a complete, coherent system, designed for the installation of all the Schneider Electric equipment, combining safety, functionality, ergonomics and design.

- Enclosures for sockets
- Enclosures for modular devices
- Enclosures for modular devices with interface
- Interface enclosures
- Universal enclosures

Safety

Kaedra enclosures ensure maximum protection thanks to the following:

- IP65 protection
- High resistance to shocks (IK09), chemical and atmospheric agents and UV rays
- Materials and structure designed to guarantee double insulation and access only to authorized personnel.

In conformity with the IEC 670 standards for empty boxes, and IEC 439-3 standards for complete boards.

Ergonomics

The Kaedra enclosures provide ample wiring space enabling simplified cable entry and internal distribution.

The doors and transparent flap-covers enable constant and immediate control of the operating conditions while the interface areas permit rapid access to the sockets or control devices.

The standardized concept of the opening enables quick installation of all the equipment either directly or through functional plaques.

Design

The modern and rounded shapes of the Kaedra enclosures are the result of careful studies on product design and ergonomics, and are recommended for public areas without spoiling the architectural surroundings with purely technological features. The use of innovative colours enables them to fit in better with their surroundings while guaranteeing the principal needs of equipment visibility and control.

009462N



Enclosures for sockets

PE1102275



These are available in versions for 1 to 8 sockets and include new modular opening, which enable installation of all the PratiKa series socket or integration of control and indicator devices.

Those versions are also available for installing new Unika interlocked sockets and blank versions for universal sockets.

Enclosures for modular devices

PE1102256



These are available in versions for 2 to 72 modules and enable installation of all modular equipment up to 125 A, as well as combinations with equipment other than the modular type, thanks to the chassis and separate modular panels.

PratiKa plugs and sockets

Kaedra system

Enclosures for modular devices with interface



These are available in versions for 12, 24 and 36 modules and, thanks to the specific plaques, enable installation of other control, protection, and indicator device equipment on the panel front as well as domestic or industrial PratiKa sockets. These devices are accessible at any time maintaining the other modular equipment totally protected, that means without opening the door.

Interface enclosures



These are combinable with 2 or 3-unit modular enclosures and enable front installation of control, indicator devices and sockets. The internal volume provides convenient space for cable distribution within the enclosures.

Universal enclosures



These are available in 5 different sizes and enable the construction of control boards with non-modular equipment. These enclosures can be associated with all the Kaedra series enclosures enabling the construction of complete banks.

Association

The modular size of the Kaedra system enclosures enables them to be quickly associated both horizontally and vertically, allowing the board configuration to be adjusted according to the structural conditions of the installation environment. Furthermore, extensions can be made at any time by adjusting the panel according to the various needs.

Chassis

The Kaedra system enclosures, designed to accommodate modular devices, are equipped with an easily removable chassis to permit installation of equipment and wiring outside the board. This can be easily turned up side down to provide wide space for incoming and outgoing wiring. It is also possible to change the on-centre between the rails (150 mm in basic delivery version) and enabling an optimum use of the internal wiring space.

Operating details

The Kaedra enclosures have been constructed in close collaboration with the installers, enabling the integration of numerous functions designed to simplify their work. Here are some examples:

- the hinges are designed to enable enclosures to be opened without removing the cover
- the dovetail joint on the chassis and on the base permit installation of wiring collars or terminal blocks
- circuit identification labels, totally protected to ensure legibility even after numerous operations.


Plugs

PratiKa plugs

Low voltage


Selection guide

PratiKa plugs 16 - 32 A



| Rated current | Poles and wires | Freq. Hz | Rated voltage | Clock position of contact | Wander plugs | | Wander plugs | | Wander plugs angled 90° | |
|--------------------------|-----------------|--------------|---------------|---------------------------|--------------|---------------|---------------|---------------|-------------------------|-------|
| | | | | | FAST connect | SCREW connect | SCREW connect | SCREW connect | IP44 | IP67 |
| 16 A | 2P + ⊥ | 50/60 | 100-130 V AC | 4 h | IP44 | IP67 | IP44 | IP67 | IP44 | IP67 |
| | 3P + ⊥ | 50/60 | | 4 h | PKX16M413 | PKX16M713 | PKE16M413 | PKE16M713 | - | - |
| | 3P+N + ⊥ | 50/60 | | 4 h | PKX16M414 | PKX16M714 | PKE16M414 | PKE16M714 | - | - |
| | 2P + ⊥ | 50/60 | 200-250 V AC | 6 h | PKX16M415 | PKX16M715 | PKE16M415 | - | - | - |
| | 3P + ⊥ | 50/60 | | 6 h | PKX16M423 | PKX16M723 | PKE16M423 | PKE16M723 | - | 81754 |
| | 3P+N + ⊥ | 50/60 | | 9 h | PKX16M424 | PKX16M724 | PKE16M424 | PKE16M724 | - | - |
| | 3P+N + ⊥ | 50/60 | 380-415 V AC | 9 h | PKX16M425 | PKX16M725 | PKE16M425 | PKE16M725 | - | - |
| | 2P + ⊥ | 50/60 | | 9 h | PKX16M433 | PKX16M733 | PKE16M433 | - | - | - |
| | 3P + ⊥ | 50/60 | | 6 h | PKX16M434 | PKX16M734 | PKE16M434 | PKE16M734 | - | 81758 |
| | 3P+N + ⊥ | 50/60 | 480-500 V AC | 6 h | PKX16M435 | PKX16M735 | PKE16M435 | PKE16M735 | 81709 | 81759 |
| | 3P + ⊥ | 50/60 | | 7 h | PKX16M444 | PKX16M744 | PKE16M444 | - | - | - |
| | 3P+N + ⊥ | 50/60 | | 7 h | PKX16M445 | PKX16M745 | PKE16M445 | PKE16M745 | - | - |
| 32 A | 2P + ⊥ | 50/60 | 100-130 V AC | 4 h | IP44 | IP67 | IP44 | IP67 | IP44 | IP67 |
| | 3P + ⊥ | 50/60 | | 4 h | PKX32M413 | PKX32M713 | PKE32M413 | - | - | - |
| | 3P+N + ⊥ | 50/60 | | 4 h | PKX32M414 | PKX32M714 | PKE32M414 | - | - | - |
| | 2P + ⊥ | 50/60 | 200-250 V AC | 6 h | PKX32M415 | PKX32M715 | PKE32M415 | - | - | - |
| | 3P + ⊥ | 50/60 | | 6 h | PKX32M423 | PKX32M723 | PKE32M423 | PKE32M723 | 81716 | 81766 |
| | 3P+N + ⊥ | 50/60 | | 9 h | PKX32M424 | PKX32M724 | PKE32M424 | PKE32M724 | - | - |
| | 3P+N + ⊥ | 50/60 | 380-415 V AC | 9 h | PKX32M425 | PKX32M725 | PKE32M425 | - | - | - |
| | 2P + ⊥ | 50/60 | | 9 h | PKX32M433 | PKX32M733 | PKE32M433 | - | - | - |
| | 3P + ⊥ | 50/60 | | 6 h | PKX32M434 | PKX32M734 | PKE32M434 | PKE32M734 | - | 81770 |
| | 3P+N + ⊥ | 50/60 | 380-440 V AC | 6 h | PKX32M435 | PKX32M735 | PKE32M435 | PKE32M735 | 81721 | 81771 |
| | 3P + ⊥ | 50/60 | | 3 h | - | PKX32M7C4 | - | PKE32M7C4 | - | - |
| | 3P+N + ⊥ | 50/60 | | 7 h | PKX32M444 | PKX32M744 | PKE32M444 | PKE32M744 | - | - |
| 3P+N + ⊥ | 50/60 | 480-500 V AC | 7 h | PKX32M445 | PKX32M745 | PKE32M445 | PKE32M745 | - | - | |
| 3P+N + ⊥ | 50/60 | | 7 h | PKX32M445 | PKX32M745 | PKE32M445 | PKE32M745 | - | - | |
| Technical data, see page | | | | | 16 | 16 | 16 | 16 | 17 | 17 |

PratiKa plugs 63 - 125 A

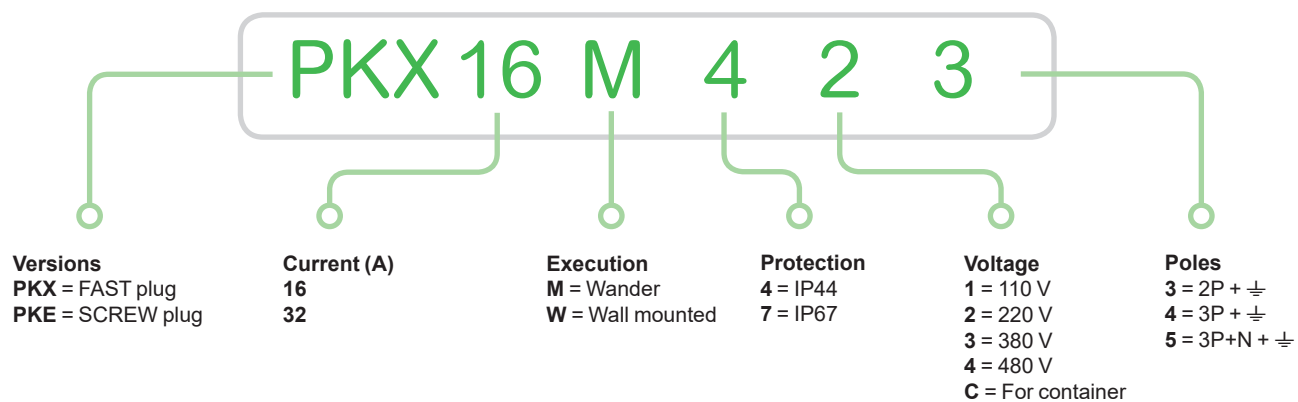


| Rated current | Poles and wires | Freq. Hz | Rated voltage | Clock position of contact | Wander plugs | Wall-mounted plugs | Panel-mounted plugs | |
|---------------|--------------------------|-------------|---------------|---------------------------|---------------|--------------------|---------------------|----|
| | | | | | SCREW connect | SCREW connect | SCREW connect | |
| 63 A | 3P + ⊥ | 50/60 | 100-130 V AC | 4 h | IP67 | IP67 | IP67 | |
| | 3P+N + ⊥ | 50/60 | | 4 h | 81376 | - | - | |
| | 2P + ⊥ | 50/60 | | 6 h | 81377 | - | - | |
| | 3P + ⊥ | 50/60 | 200-250 V AC | 9 h | 81378 | 81578 | 81878 | |
| | 3P+N + ⊥ | 50/60 | | 9 h | 81379 | - | 81879 | |
| | 3P+N + ⊥ | 50/60 | | 9 h | 81380 | - | - | |
| | 3P + ⊥ | 50/60 | 380-415 V AC | 6 h | 81382 | 81582 | 81882 | |
| | 3P+N + ⊥ | 50/60 | | 6 h | 81383 | 81583 | 81883 | |
| | 3P + ⊥ | 50/60 | | 7 h | 81385 | 81585 | - | |
| | 3P+N + ⊥ | 50/60 | 480-500 V AC | 7 h | 81386 | 81586 | - | |
| | 3P + ⊥ | 50/60 | | 4 h | - | - | - | |
| | 3P+N + ⊥ | 50/60 | | 4 h | - | - | - | |
| 125 A | 2P + ⊥ | 50/60 | 100-130 V AC | 6 h | 81390 | 81590 | 81890 | |
| | 3P + ⊥ | 50/60 | | 6 h | 81391 | 81591 | - | |
| | 3P+N + ⊥ | 50/60 | | 9 h | 81392 | - | - | |
| | 3P + ⊥ | 50/60 | 200-250 V AC | 9 h | 81392 | - | - | |
| | 3P+N + ⊥ | 50/60 | | 6 h | 81394 | 81594 | 81894 | |
| | 3P+N + ⊥ | 50/60 | | 6 h | 81395 | 81595 | 81895 | |
| | 3P + ⊥ | 50/60 | 380-415 V AC | 7 h | 81397 | - | - | |
| | 3P+N + ⊥ | 50/60 | | 7 h | 81398 | - | - | |
| | 3P+N + ⊥ | 50/60 | | 7 h | 81398 | - | - | |
| | Technical data, see page | | | | | 16 | 19 | 20 |



| Wall-mounted plugs | | Wall-mounted plugs with back box | | Panel-mounted plugs | | Phase inverters | | | | | |
|--------------------|---------------|----------------------------------|-------|---------------------|-------|-----------------|-------|--------------------|-------|---------------------|-------|
| FAST connect | SCREW connect | SCREW connect | | SCREW connect | | Wander-plugs | | Wall-mounted plugs | | Panel-mounted plugs | |
| IP44 | IP44 | IP44 | IP67 | IP44 | IP67 | IP44 | IP67 | IP44 | IP67 | IP44 | IP67 |
| PKX16W413 | - | - | - | - | - | - | - | - | - | - | - |
| PKX16W414 | PKE16W414 | - | - | 81802 | - | - | - | - | - | - | - |
| PKX16W415 | - | - | 83553 | - | - | - | - | - | - | - | - |
| PKX16W423 | PKE16W423 | 83504 | 83554 | 81804 | 83854 | - | - | - | - | - | - |
| PKX16W424 | - | - | - | - | - | 83901 | - | - | - | - | - |
| PKX16W425 | - | 83506 | 83556 | - | - | 83906 | - | - | 83579 | - | - |
| PKX16W433 | PKE16W433 | - | - | 81807 | - | - | - | - | - | - | - |
| PKX16W434 | PKE16W434 | - | 83558 | 81808 | 83858 | 83902 | 83912 | - | 83580 | - | 83880 |
| PKX16W435 | PKE16W435 | 83509 | 83559 | 81809 | 83859 | 83903 | 83913 | 83531 | 83581 | 83831 | 83881 |
| PKX16W444 | PKE16W444 | - | - | - | 83861 | - | - | 83532 | - | - | - |
| PKX16W445 | PKE16W445 | - | - | - | 83862 | - | - | - | - | 83833 | - |
| PKX32W413 | - | - | - | - | 83863 | - | - | - | - | - | - |
| PKX32W414 | PKE32W414 | - | - | - | - | - | - | - | - | - | - |
| PKX32W415 | PKE32W415 | - | - | - | - | - | - | - | - | - | - |
| PKX32W423 | PKE32W423 | 83516 | 83566 | 81816 | 83866 | - | - | - | - | - | - |
| PKX32W424 | PKE32W424 | - | 83567 | - | 83867 | - | - | - | - | - | - |
| PKX32W425 | - | - | - | - | - | - | - | - | - | - | - |
| PKX32W433 | PKE32W433 | - | 83569 | - | - | - | - | - | - | - | - |
| PKX32W434 | PKE32W434 | 83520 | 83570 | 81820 | 83870 | - | - | - | - | - | - |
| PKX32W435 | PKE32W435 | 83521 | 83571 | 81821 | 83871 | - | - | - | - | - | - |
| - | - | - | 81599 | - | 83899 | - | - | - | - | - | - |
| PKX32W444 | - | - | - | - | - | - | - | - | - | - | - |
| PKX32W445 | - | - | - | - | - | - | - | - | - | - | - |
| 18 | | 19 | | 20 | | 23 | | | | | |



Learn how to define your PratiKa: industrial plugs



PratiKa plugs

Low voltage
Wander plugs

Technical data

| | | | FAST connection, without screws | SCREW connection |
|--------------------------------------|-----------------------------|-------------------------------------|---|---|
| | | |  |  |
| Main characteristics | | | Designed to supply fixed or movable equipment by a flexible cable. | |
| Degree of protection | According to IEC 60529 | 16 and 32 A | IP44 IP67 | IP44 IP67 |
| | | 63 and 125 A | - | IP67 |
| | According to IEC 62262 | Against external mechanical impacts | IK08 | IK08 for 16 - 32 A IK10 for 63 - 125 A |
| Materials | | | Housing made of self-extinguishing polymer Pins made of nickel-plated brass Springs made of stainless steel | Housing made of self-extinguishing polymer Pins made of nickel-plated, brass (63 - 125 A), in brass (16 - 32 A) Springs and external screws made of stainless steel |
| Pilot contact | | | - | Available in the 63 A and 125 A |
| Resistance to fire and abnormal heat | According to IEC 60695-2-11 | Glow wire test | 850°C | 850°C |
| Connection terminals | | | Without screws and without stripping the conductor | Captive screws, completely loosened |

Connection

| Rating | FAST connection, without screws | | SCREW connection | | |
|--------|---------------------------------|--|----------------------------|---------------------|---|
| | Cable entry | Maximum cross section of conductors | Cable entry | | Maximum cross section of conductors |
| (In) | IP44 / IP67 Cable clamp | IEC 60309-1/A1, 60309-2/A1 Stranded wire cables / flexible cables | IP44 / IP67 Cable clamp | IP67 Cable gland | Solid cables / stranded wire cables / flexible cables |
| 16 A | 8 - 15 mm | 1 to 2.5 mm ² | 8 - 15 mm | - | 1 to 4 mm ² |
| 32 A | 11.5 - 21 mm | 2.5 to 6 mm ² | 11.5 - 21 mm | - | 2.5 to 10 mm ² |
| 63 A | - | - | - | 17 - 31 mm / PG36 | 6 to 25 mm ² |
| 125 A | - | - | - | 26 - 48 mm / PG48 | 16 to 70 mm ² |

Code of wander plugs

| Rating | Rated voltage | | | | | | | | | | | |
|--|----------------|-----------|-----------|----------------|-----------|-----------|----------------|-----------|-----------|----------------|-----------|-----------|
| | 100 - 130 V AC | | | 200 - 250 V AC | | | 380 - 415 V AC | | | 480 - 500 V AC | | |
| Poles and wires | 2P + ⚡ | 3P + ⚡ | 3P+N + ⚡ | 2P + ⚡ | 3P + ⚡ | 3P+N + ⚡ | 2P + ⚡ | 3P + ⚡ | 3P+N + ⚡ | 2P + ⚡ | 3P + ⚡ | 3P+N + ⚡ |
| FAST connection, without screws | | | | | | | | | | | | |
| IP44 16 A | PKX16M413 | PKX16M414 | PKX16M415 | PKX16M423 | PKX16M424 | PKX16M425 | PKX16M433 | PKX16M434 | PKX16M435 | - | PKX16M444 | PKX16M445 |
| 32 A | PKX32M413 | PKX32M414 | PKX32M415 | PKX32M423 | PKX32M424 | PKX32M425 | PKX32M433 | PKX32M434 | PKX32M435 | - | PKX32M444 | PKX32M445 |
| IP67 16 A | PKX16M713 | PKX16M714 | PKX16M715 | PKX16M723 | PKX16M724 | PKX16M725 | PKX16M733 | PKX16M734 | PKX16M735 | - | PKX16M744 | PKX16M745 |
| 32 A | PKX32M713 | PKX32M714 | PKX32M715 | PKX32M723 | PKX32M724 | PKX32M725 | PKX32M733 | PKX32M734 | PKX32M735 | - | PKX32M744 | PKX32M745 |
| SCREW connection | | | | | | | | | | | | |
| IP44 16 A | PKE16M413 | PKE16M414 | PKE16M415 | PKE16M423 | PKE16M424 | PKE16M425 | PKE16M433 | PKE16M434 | PKE16M435 | - | PKE16M444 | PKE16M445 |
| 32 A | PKE32M413 | PKE32M414 | PKE32M415 | PKE32M423 | PKE32M424 | PKE32M425 | PKE32M433 | PKE32M434 | PKE32M435 | - | PKE32M444 | PKE32M445 |
| IP67 16 A | PKE16M713 | - | - | PKE16M723 | PKE16M724 | PKE16M725 | - | PKE16M734 | PKE16M735 | - | - | PKE16M745 |
| 32 A | - | - | - | PKE32M723 | PKE32M724 | - | - | PKE32M734 | PKE32M735 | - | PKE32M744 | PKE32M745 |
| 63 A | - | 81376 | 81377 | 81378 | 81379 | 81380 | - | 81382 | 81383 | - | 81385 | 81386 |
| 125 A | - | - | - | 81390 | 81391 | 81392 | - | 81394 | 81395 | - | 81397 | 81398 |

PG149061



PKX16M423

PG149075



PKX16M733

PG149039



PKE16M423

PG149011




81395

Plugs

PratiKa plugs

Low voltage
Wander plugs angled 90°

Technical data

| | | | Angled 90° |
|--------------------------------------|-----------------------------|-------------------------------------|--|
| | | |  |
| Main characteristics | | | They have the advantage of not being very thick. |
| Degree of protection | According to IEC 60529 | 16 and 32 A | IP44 |
| | According to IEC 62262 | Against external mechanical impacts | IP67 |
| | | | IK08 |
| Materials | | | Housing made of self-extinguishing polymer |
| | | | Pins made of nickel-plated brass |
| | | | Stainless steel screw |
| Resistance to fire and abnormal heat | According to IEC 60695-2-11 | Glow wire test | 850°C |
| Connection terminals | | | Captive screws, completely loosened |

Connection

| | | | | Angled 90° |
|-------------|-----------------------|------------------|---|------------|
| Rating (In) | Cable entry | | Maximum cross section of conductors | |
| | IP44 / IP67 Fair-lead | IP67 Cable gland | Solid cables / stranded wire cables / flexible cables | |
| 16 A | 8 - 15 mm | PG16 (PG21 5P) | 1 to 4 mm ² | |
| 32 A | 11.5 - 21 mm | PG21 | 2.5 to 10 mm ² | |

Code of wander plugs angled 90°

| Rating | Rated voltage | | | | | | | | | | | |
|-----------------|----------------|--------|----------|----------------|--------|----------|----------------|--------|----------|----------------|--------|----------|
| | 100 - 130 V AC | | | 200 - 250 V AC | | | 380 - 415 V AC | | | 480 - 500 V AC | | |
| Poles and wires | 2P + ⚡ | 3P + ⚡ | 3P+N + ⚡ | 2P + ⚡ | 3P + ⚡ | 3P+N + ⚡ | 2P + ⚡ | 3P + ⚡ | 3P+N + ⚡ | 2P + ⚡ | 3P + ⚡ | 3P+N + ⚡ |
| IP44 16 A | - | - | - | - | - | - | - | - | 81709 | - | - | - |
| 32 A | - | - | - | 81716 | - | - | - | - | 81721 | - | - | - |
| IP67 16 A | - | - | - | 81754 | - | - | - | 81758 | 81759 | - | - | - |
| 32 A | - | - | - | 81766 | - | - | - | 81770 | 81771 | - | - | - |



81770

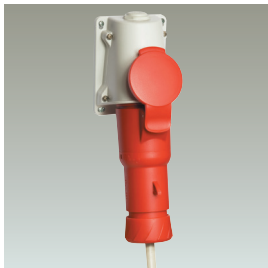
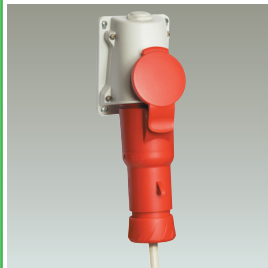
Plugs

PratiKa plugs

Low voltage

Wall-mounted plugs

Technical data

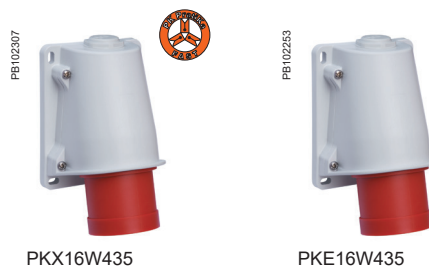
| | | | FAST connection, without screws | SCREW connection |
|--------------------------------------|-----------------------------|-------------------------------------|--|---|
| | | |  |  |
| Main characteristics | | | They can be installed on an appliance to enable supply by wander socket. | |
| Degree of protection | According to IEC 60529 | 16 and 32 A | IP44 | IP44 |
| | According to IEC 62262 | Against external mechanical impacts | IK08 | IK08 |
| Materials | | | Housing made of self-extinguishing polymer | Housing made of self-extinguishing polymer |
| | | | Pins screw made of nickel-plated brass | Pins screw made of nickel-plated brass |
| | | | Stainless steel | Stainless steel |
| Resistance to fire and abnormal heat | According to IEC 60695-2-11 | Glow wire test | 750°C | 750°C |
| Connection terminals | | | Without screws and without stripping the conductor | Captive screws, completely loosened |

Connection

| | | FAST connection, without screws | | | SCREW connection |
|---------------|--------------------|--|---|--|---|
| Rating | Cable entry | Maximum cross section of conductors | | | Maximum cross section of conductors |
| (In) | Cable diameter | IP44 Cable entry | IEC 60309-1/A1, 60309-2/A1 Stranded wire cables / flexible cables | | Solid cables / stranded wire cables / flexible cables |
| 16 A | Max. 21 mm | M25 threaded nut | 1 to 2.5 mm ² | | 1 to 4 mm ² |
| 32 A | Max. 21 mm | M25 threaded nut | 2.5 to 6 mm ² | | 2.5 to 10 mm ² |

Code of wall-mounted plugs

| Rating | Rated voltage | | | | | | | | | | | | |
|--|----------------|-----------|-----------|----------------|-----------|-----------|----------------|-----------|-----------|----------------|--------|-----------|-----------|
| | 100 - 130 V AC | | | 200 - 250 V AC | | | 380 - 415 V AC | | | 480 - 500 V AC | | | |
| Poles and wires | 2P + ⚡ | 3P + ⚡ | 3P+N + ⚡ | 2P + ⚡ | 3P + ⚡ | 3P+N + ⚡ | 2P + ⚡ | 3P + ⚡ | 3P+N + ⚡ | 2P + ⚡ | 3P + ⚡ | 3P+N + ⚡ | |
| FAST connection, without screws | | | | | | | | | | | | | |
| IP44 | 16 A | PKX16W413 | PKX16W414 | PKX16W415 | PKX16W423 | PKX16W424 | PKX16W425 | PKX16W433 | PKX16W434 | PKX16W435 | - | PKX16W444 | PKX16W445 |
| | 32 A | PKX32W413 | PKX32W414 | PKX32W415 | PKX32W423 | PKX32W424 | PKX32W425 | PKX32W433 | PKX32W434 | PKX32W435 | - | PKX32W444 | PKX32W445 |
| SCREW connection | | | | | | | | | | | | | |
| IP44 | 16 A | - | PKE16W414 | - | PKE16W423 | - | - | PKE16W433 | PKE16W434 | PKE16W435 | - | PKE16W444 | PKE16W445 |
| | 32 A | - | PKE32W414 | PKE32W415 | PKE32W423 | PKE32W424 | - | PKE32W433 | PKE32W434 | PKE32W435 | - | - | - |




Plugs

PratiKa plugs

Low voltage

Wall-mounted plugs with back box

Technical data

| | | | SCREW connection |
|--------------------------------------|-----------------------------|-------------------------------------|--|
| | | |  |
| Main characteristics | | | They can be installed on an appliance to enable supply by wander socket. |
| Degree of protection | According to IEC 60529 | 16 and 32 A | IP44 |
| | | 63 and 125 A | IP67 |
| | According to IEC 62262 | Against external mechanical impacts | IK08 |
| Materials | | | Housing made of self-extinguishing polymer Pins made of nickel-plated brass Stainless steel screws |
| Pilot contact | | | Available in the 63 A and 125 A |
| Resistance to fire and abnormal heat | According to IEC 60695-2-11 | Glow wire test | 850°C |
| Connection terminals | | | Captive screws, completely loosened |

Connection

| | | SCREW connection | | |
|--------|------|------------------|---------------------|-------------------------------------|
| Rating | (In) | Cable entry | | Maximum cross section of conductors |
| | | IP44 M25 nut | IP67 Cable gland | |
| 16 A | | 8 - 21 mm | PG16 (PG21 5P) | 1 to 4 mm ² |
| 32 A | | 11.5 - 21 mm | PG21 | 2.5 to 10 mm ² |
| 63 A | | - | PG29 | 6 to 25 mm ² |
| 125 A | | - | PG48 | 16 to 70 mm ² |

Code of wall-mounted plugs

| Rating | Rated voltage | | | | | | | | | | | |
|-------------------------|----------------|----------------|------------------|----------------|----------------|------------------|----------------|----------------|------------------|----------------|----------------|------------------|
| | 100 - 130 V AC | | | 200 - 250 V AC | | | 380 - 415 V AC | | | 480 - 500 V AC | | |
| Poles and wires | 2P + \ominus | 3P + \ominus | 3P+N + \ominus | 2P + \ominus | 3P + \ominus | 3P+N + \ominus | 2P + \ominus | 3P + \ominus | 3P+N + \ominus | 2P + \ominus | 3P + \ominus | 3P+N + \ominus |
| SCREW connection | | | | | | | | | | | | |
| IP44 | 16 A | - | - | - | 83504 | - | 83506 | - | - | 83509 | - | - |
| | 32 A | - | - | - | 83516 | - | - | - | 83520 | 83521 | - | - |
| IP67 | 16 A | - | - | 83553 | 83554 | - | 83556 | - | 83558 | 83559 | - | - |
| | 32 A | - | - | - | 83566 | 83567 | - | 83569 | 83570 | 83571 | - | - |
| | 63 A | - | - | - | 81578 | - | - | - | 81582 | 81583 | - | 81585 81586 |
| | 125 A | - | - | - | 81590 | 81591 | - | - | 81594 | 81595 | - | - |



83504



83571


Plugs

PratiKa plugs

Low voltage

Panel-mounted plugs

Technical data

| | | | Straight SCREW connection | Angled SCREW connection |
|--------------------------------------|-----------------------------|---|--|---|
| | | |  |  |
| Main characteristics | | | They can be installed on an appliance to enable supply by wander socket. | |
| Degree of protection | According to IEC 60529 | 16 and 32 A | - | IP44 |
| | | 63 and 125 A | IP67 | IP67 |
| Materials | According to IEC 62262 | Against external mechanical impacts | IK08 | IK08 |
| | | Housing made of self-extinguishing polymer | Housing made of self-extinguishing polymer | |
| Pilot contact | | Included in the 63 A and 125 A | - | |
| Resistance to fire and abnormal heat | According to IEC 60695-2-11 | Glow wire test | 850°C | 850°C |
| Connection terminals | | Captive screws, completely loosened | Captive screws, completely loosened | |
| Flange dimensions (IP44 - IP67) | 16 A | 2P + $\frac{\perp}{\perp}$, 3P + $\frac{\perp}{\perp}$ | - | 65 x 85 mm |
| | 32 A | 3P + N + $\frac{\perp}{\perp}$ | - | 90 x 100 mm |
| | 63 A | | 100 x 107 mm | - |
| | 125 A | | 110 x 114 mm | - |

Connection

| | | Straight SCREW connection | Angled SCREW connection |
|---------------|--|--|---------------------------|
| Rating | | Maximum cross section of conductors | |
| (In) | | Solid, stranded and flexible cables | |
| 16 A | | - | 1 to 4 mm ² |
| 32 A | | - | 2.5 to 10 mm ² |
| 63 A | | 6 to 25 mm ² | - |
| 125 A | | 16 to 70 mm ² | - |

Note: for a correct use of the IP67-63 A, a minimum clearance of 105 mm is required for the movement of hinged cover (see details at "Retaining means for IP67 panel mounted plugs" on the dimensions page).

Code of panel-mounted plugs

| Rating | Rated voltage | | | | | | | | | | | |
|----------------------------------|----------------------------|----------------------------|------------------------------|----------------------------|----------------------------|------------------------------|----------------------------|----------------------------|------------------------------|----------------------------|----------------------------|------------------------------|
| | 100 - 130 V AC | | | 200 - 250 V AC | | | 380 - 415 V AC | | | 480 - 500 V AC | | |
| Poles and wires | 2P + $\frac{\perp}{\perp}$ | 3P + $\frac{\perp}{\perp}$ | 3P+N + $\frac{\perp}{\perp}$ | 2P + $\frac{\perp}{\perp}$ | 3P + $\frac{\perp}{\perp}$ | 3P+N + $\frac{\perp}{\perp}$ | 2P + $\frac{\perp}{\perp}$ | 3P + $\frac{\perp}{\perp}$ | 3P+N + $\frac{\perp}{\perp}$ | 2P + $\frac{\perp}{\perp}$ | 3P + $\frac{\perp}{\perp}$ | 3P+N + $\frac{\perp}{\perp}$ |
| Angled SCREW connection | | | | | | | | | | | | |
| IP44 16 A | - | 81802 | - | 81804 | - | - | 81807 | 81808 | 81809 | - | - | - |
| 32 A | - | - | - | 81816 | - | - | - | 81820 | 81821 | - | - | - |
| IP67 16 A | - | - | - | 83854 | - | - | - | 83858 | 83859 | - | 83861 | 83862 |
| 32 A | 83863 | - | - | 83866 | 83867 | - | - | 83870 | 83871 | - | - | - |
| Straight SCREW connection | | | | | | | | | | | | |
| IP67 63 A | - | - | - | 81878 | 81879 | - | - | 81882 | 81883 | - | - | - |
| 125 A | - | - | - | 81890 | - | - | - | 81894 | 81895 | - | - | - |

Caps to cover plugs with IP67

| Rating | Code | | |
|-----------------|----------------------------|----------------------------|------------------------------|
| Poles and wires | 2P + $\frac{\perp}{\perp}$ | 3P + $\frac{\perp}{\perp}$ | 3P+N + $\frac{\perp}{\perp}$ |
| IP67 16 A | 83933 | 83934 | 83935 |
| 32 A | 83936 | 83936 | 83937 |



81895



81804



83871




83934

Plugs

PratiKa plugs

Low voltage
System adapters

Technical data

| | | | System adapters |
|--|-----------------------------|-------------------------------------|---|
| | | |  |
| Main characteristics | | | They enable the conversion of an industrial plug system into a domestic one. They can be used for temporary situations only and in certain industrial environments where there is no danger of explosions or fire. |
| Conceived in conformity with standards | | | EN 50250 IEC 60309-1, IEC 60309-2 and IEC 60309-4 |
| Degree of protection | According to IEC 60529 | | IP20 |
| | According to IEC 62262 | Against external mechanical impacts | IK08 |
| Materials | | | Housing made of self-extinguishing polymer Pins made of nickel-plated brass Stainless steel screws |
| Resistance to fire and abnormal heat | According to IEC 60695-2-11 | Glow wire test | 850°C |

Code of System Adapters

| Rating | Rated voltage | | | |
|---|--------------------|---------------------|-----------------|--------------------|
| | 200 - 250 V AC | | | |
| Industrial plug side - Current and Poles | 2P + \neq | | | |
| 16 A | PKZA201 | PKZA202 | PKZA203 | PKZA204 |
| Socket side - Number and type | 1 socket - 10/16 A | 2 sockets - 10/16 A | 1 socket - 16 A | 1 socket - 10/16 A |
| Standard | Italy | | Germany | France |



PKZA201



PKZA202



PKZA203



PKZA204

PratiKa plugs

Low voltage

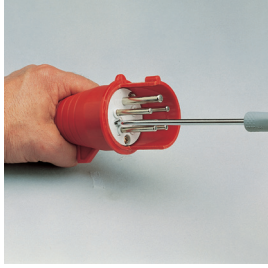
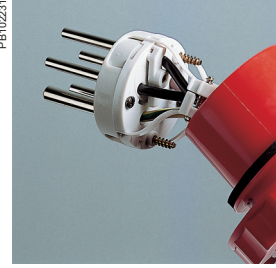
Plugs with phase inverter

The PratiKa plugs with phase inverters provide a safe, rapid solution to electrical connection problems in all rotary machines. In fact, they permit a rapid inversion of the positions of the two pins and the phase order and, subsequently, the machine rotation direction, without having to open the plug and act on the connections. This is achieved by simply pressing with a screwdriver on the specific area with a 180° rotation of the contact-gate block clockwise or counter-clockwise, until total inversion of the phases is obtained.

Solution for rapid inversion of electric motor rotation

- The range includes different models:
- wander plugs,
 - wander plugs angled 90°,
 - wall-mounting plugs,
 - panel-mounting plugs.

Technical data

| | | SCREW connection | |
|--------------------------------------|--|--|--|
| | |  |  |
| Main characteristics | | | |
| Degree of protection | According to IEC 60529 | IP44 IP67 | |
| Materials | | Housing made of self-extinguishing polymer Pins made of nickel-plated brass Stainless steel screws | |
| Resistance to fire and abnormal heat | According to IEC 60695-2-11 Glow wire test | 850°C | |
| Operating frequency | | 50/60 Hz | |
| Connection terminals | | Captive screws, completely loosened | |

Connection

| | | SCREW connection | | |
|--------|--|--------------------------|---------------------|---|
| Rating | | Cable entry | | Maximum cross section of conductors |
| (In) | | IP44 / IP67 Fair-lead | IP67 Cable gland | Solid and stranded wire flexible cables |
| 16 A | | 8 - 15 mm | PG16 (PG21 5P) | 1 to 4 mm ² |

Plugs

PratiKa plugs

Low voltage
Plugs with phase inverter

PG146074



83902

PG146082



83912

Code of wander plugs with phase inverter

| Rating | Rated voltage | | | | | | | |
|-----------------|----------------|----------------|----------------|----------------|----------------|----------------|----------------|----------------|
| | 100 - 130 V AC | | 200 - 250 V AC | | 380 - 415 V AC | | 480 - 500 V AC | |
| Poles and wires | 3P + \perp | 3P+N + \perp | 3P + \perp | 3P+N + \perp | 3P + \perp | 3P+N + \perp | 3P + \perp | 3P+N + \perp |
| IP44 16 A | - | - | 83901 | 83906 | 83902 | 83903 | - | - |
| IP67 16 A | - | - | - | - | 83912 | 83913 | - | - |

PG149106



83581

Code of wall-mounted plugs with phase inverter

| Rating | Rated voltage | | | | | | | |
|-----------------|----------------|----------------|----------------|----------------|----------------|----------------|----------------|----------------|
| | 100 - 130 V AC | | 200 - 250 V AC | | 380 - 415 V AC | | 480 - 500 V AC | |
| Poles and wires | 3P + \perp | 3P+N + \perp | 3P + \perp | 3P+N + \perp | 3P + \perp | 3P+N + \perp | 3P + \perp | 3P+N + \perp |
| IP44 16 A | - | - | - | - | - | 83531 | 83532 | - |
| IP67 16 A | - | - | - | 83579 | 83580 | 83581 | - | - |

PG149110



83880

Code of panel-mounted plugs with phase inverter

| Rating | Rated voltage | | | | | | | |
|-----------------|----------------|----------------|----------------|----------------|----------------|----------------|----------------|----------------|
| | 100 - 130 V AC | | 200 - 250 V AC | | 380 - 415 V AC | | 480 - 500 V AC | |
| Poles and wires | 3P + \perp | 3P+N + \perp | 3P + \perp | 3P+N + \perp | 3P + \perp | 3P+N + \perp | 3P + \perp | 3P+N + \perp |
| IP44 16 A | - | - | - | - | - | 83831 | - | 83833 |
| IP67 16 A | - | - | - | - | 83880 | 83881 | - | - |

PG146088



83934

Caps to cover plugs and IP67

| Rating | Code | |
|-----------------|--------------|----------------|
| Poles and wires | 3P + \perp | 3P+N + \perp |
| IP67 16 A | 83934 | 83935 |

PratiKa plugs

Extra-low voltage

Selection guide

PratiKa plugs 16 - 32 A



| Rated current | Poles and wires | Freq. Hz | Rated voltage | Clock position of secondary keyway | Wander plugs | | Wall-mounted plugs |
|--------------------------|-----------------|-------------|-------------------------|------------------------------------|--------------|-------|--------------------|
| | | | | | IP44 | IP67 | IP44 |
| 16 A | 2P | 50/60 | 20-25 V AC | s.r. | 82301 | 82351 | 82501 |
| | 3P | 50/60 | 20-25 V AC | s.r. | 82302 | 82352 | - |
| | 2P | 50/60 | 40-50 V AC | 12 h | 82303 | 82353 | - |
| | 3P | 50/60 | 40-50 V AC | 12 h | 82304 | 82354 | 82504 |
| | 2P | 100/200 | 20-25 V AC / 40-50 V AC | 4 h | 82305 | 82355 | - |
| | 3P | 100/200 | 20-25 V AC / 40-50 V AC | 4 h | 82306 | 82356 | - |
| | 2P | 401/500 | 20-25 V AC / 40-50 V AC | 11 h | - | - | - |
| | 3P | 401/500 | 20-25 V AC / 40-50 V AC | 11 h | - | - | - |
| | 2P | --- | 20-25 V AC / 40-50 V AC | 10 h | - | 82363 | 82513 |
| 32 A | 2P | 50/60 | 20-25 V AC | s.r. | 82315 | 82365 | - |
| | 3P | 50/60 | 20-25 V AC | s.r. | - | 82366 | - |
| | 2P | 50/60 | 40-50 V AC | 12 h | - | 82367 | - |
| | 3P | 50/60 | 40-50 V AC | 12 h | 82318 | 82368 | - |
| | 2P | 100/200 | 20-25 V AC / 40-50 V AC | 4 h | - | - | - |
| | 3P | 100/200 | 20-25 V AC / 40-50 V AC | 4 h | 82320 | 82370 | - |
| | 2P | 401/500 | 20-25 V AC / 40-50 V AC | 11 h | 82325 | - | - |
| | 3P | 401/500 | 20-25 V AC / 40-50 V AC | 11 h | - | - | - |
| | 2P | --- | 20-25 V AC / 40-50 V AC | 10 h | - | 82377 | - |
| Technical data, see page | | | | | 25 | | |


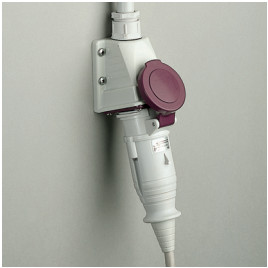
Plugs

PratiKa plugs

Extra-low voltage

Wander plugs and wall-mounted plugs

Technical data

| | | | Wander plugs | Wall-mounted plugs |
|--------------------------------------|-----------------------------|-------------------------------------|---|---|
| | | |  |  |
| Main characteristics | | | Installations and wander sockets can be powered by a flexible cable. | They can be wall-mounted to supply appliances with wander plugs. |
| Degree of protection | According to IEC 60529 | 16 and 32 A | IP44 IP67 | IP44 IP67 |
| | According to IEC 62262 | Against external mechanical impacts | IK08 | IK08 |
| Materials | | | Housing made of self-extinguishing polymer Pins made of nickel-plated brass Stainless steel screw | Housing made of self-extinguishing polymer Pins made of nickel-plated brass Stainless steel screw |
| Resistance to fire and abnormal heat | According to IEC 60695-2-11 | Glow wire test | 850°C | 850°C |
| Connection terminals | | | Captive screws, completely loosened | Captive screws, completely loosened |

Connection

| | | | | Wander plugs and wall-mounted plugs | | |
|--------|--|-----------------------|------------------|---|-------------------------------------|--|
| Rating | | Cable entry | | | Maximum cross section of conductors | |
| (In) | | IP44 / IP67 Fair-lead | IP67 Cable gland | Solid and stranded wire flexible cables | | |
| 16 A | | 6 - 23 mm | PG21 | 4 to 10 mm ² | | |
| 32 A | | 6 - 23 mm | PG21 | 4 to 10 mm ² | | |

Code of wander plugs

| Rating | Rated voltage | | | | | | | | | | | |
|-----------------|---------------------|-------|---------------------|-------|---------------------------------|-------|-------|----|---------------------------------|----|-------|----|
| | 20-25 V 50/60 Hz | | 40-50 V 50/60 Hz | | 20-25 V / 40-50 V 100-200 Hz | | | | 20-25 V / 40-50 V 401-500 Hz | | --- | |
| Poles and wires | 2P | 3P | 2P | 3P | 2P | 3P | 2P | 3P | 2P | 3P | 2P | 3P |
| IP44 16 A | 82301 | 82302 | 82303 | 82304 | 82305 | 82306 | - | - | - | - | - | - |
| 32 A | 82315 | - | - | 82318 | - | 82320 | 82325 | - | - | - | - | - |
| IP67 16 A | 82351 | 82352 | 82353 | 82354 | 82355 | 82356 | - | - | - | - | 82363 | - |
| 32 A | 82365 | 82366 | 82367 | 82368 | - | 82370 | - | - | - | - | 82377 | - |

Code of wall-mounted plugs

| Rating | Rated voltage | | | | | | | | | | | |
|-----------------|---------------------|----|---------------------|-------|---------------------------------|----|----|----|---------------------------------|----|-------|----|
| | 20-25 V 50/60 Hz | | 40-50 V 50/60 Hz | | 20-25 V / 40-50 V 100-200 Hz | | | | 20-25 V / 40-50 V 401-500 Hz | | --- | |
| Poles and wires | 2P | 3P | 2P | 3P | 2P | 3P | 2P | 3P | 2P | 3P | 2P | 3P |
| IP44 16 A | 82501 | - | - | 82504 | - | - | - | - | - | - | 82513 | - |
| 32 A | - | - | - | - | - | - | - | - | - | - | - | - |



82301



82368



82501

PratiKa sockets 16 - 32 A

| Rated current | Poles and wires | Freq. Hz | Rated voltage | Clock position of contact | Wander sockets | | Panel mounted sockets | | Straight | |
|---------------|-----------------|----------------|---------------|---------------------------|----------------|-----------|-----------------------|-----------|-----------|-----------|
| | | | | | FAST connect | | Angled | | Angled | |
| | | | | | IP44 | IP67 | IP44 | IP67 | IP44 | IP67 |
| 16 A | 2P + \perp | 50/60 | 100-130 V AC | 4 h | PKY16M413 | PKY16M713 | PKY16F413 | PKY16F713 | - | - |
| | 3P + \perp | 50/60 | | 4 h | PKY16M414 | PKY16M714 | PKY16F414 | PKY16F714 | - | PKY16G714 |
| | 3P+N + \perp | 50/60 | | 4 h | PKY16M415 | PKY16M715 | PKY16F415 | PKY16F715 | - | - |
| | 200-250 V AC | 2P + \perp | 50/60 | 6 h | PKY16M423 | PKY16M723 | PKY16F423 | PKY16F723 | PKY16G423 | PKY16G723 |
| | | 3P + \perp | 50/60 | 9 h | PKY16M424 | PKY16M724 | PKY16F424 | PKY16F724 | - | - |
| | | 3P+N + \perp | 50/60 | 9 h | PKY16M425 | PKY16M725 | PKY16F425 | PKY16F725 | - | PKY16G725 |
| | | 2P + \perp | 50/60 | 9 h | PKY16M433 | PKY16M733 | PKY16F433 | PKY16F733 | - | - |
| | | 3P + \perp | 50/60 | 6 h | PKY16M434 | PKY16M734 | PKY16F434 | PKY16F734 | PKY16G434 | PKY16G734 |
| | | 3P+N + \perp | 50/60 | 6 h | PKY16M435 | PKY16M735 | PKY16F435 | PKY16F735 | PKY16G435 | PKY16G735 |
| | 480-500 V AC | 3P + \perp | 50/60 | 7 h | PKY16M444 | PKY16M744 | PKY16F444 | PKY16F744 | - | - |
| | | 3P+N + \perp | 50/60 | 7 h | PKY16M445 | PKY16M745 | PKY16F445 | PKY16F745 | - | - |
| | | 3P + \perp | 50/60 | 7 h | PKY32M413 | PKY32M713 | PKY32F413 | PKY32F713 | - | - |
| 32 A | 3P + \perp | 50/60 | 100-130 V AC | 4 h | PKY32M414 | PKY32M714 | PKY32F414 | PKY32F714 | - | - |
| | 3P+N + \perp | 50/60 | | 4 h | PKY32M415 | PKY32M715 | PKY32F415 | PKY32F715 | - | - |
| | 2P + \perp | 50/60 | | 6 h | PKY32M423 | PKY32M723 | PKY32F423 | PKY32F723 | PKY32G423 | PKY32G723 |
| | 200-250 V AC | 3P + \perp | 50/60 | 9 h | PKY32M424 | PKY32M724 | PKY32F424 | PKY32F724 | - | - |
| | | 3P+N + \perp | 50/60 | 9 h | PKY32M425 | PKY32M725 | PKY32F425 | PKY32F725 | - | - |
| | | 2P + \perp | 50/60 | 9 h | PKY32M433 | PKY32M733 | PKY32F433 | PKY32F733 | - | - |
| | | 3P + \perp | 50/60 | 6 h | PKY32M434 | PKY32M734 | PKY32F434 | PKY32F734 | PKY32G434 | PKY32G734 |
| | | 3P+N + \perp | 50/60 | 6 h | PKY32M435 | PKY32M735 | PKY32F435 | PKY32F735 | PKY32G435 | PKY32G735 |
| | | 3P + \perp | 50/60 | 3 h | - | PKY32M7C4 | - | PKY32F7C4 | - | - |
| | 380-440 V AC | 3P + \perp | 50/60 | 7 h | PKY32M444 | PKY32M744 | PKY32F444 | PKY32F744 | PKY32G444 | - |
| | | 3P+N + \perp | 50/60 | 7 h | PKY32M445 | PKY32M745 | PKY32F445 | PKY32F745 | PKY32G445 | - |
| | | 3P + \perp | 50/60 | 7 h | PKY32M445 | PKY32M745 | PKY32F445 | PKY32F745 | PKY32G445 | - |

Technical data, see page

28

32

PratiKa sockets 63 - 125 A

| Rated current | Poles and wires | Freq. Hz | Rated voltage | Clock position of contact | Wander sockets | Wall-mounted sockets | | | |
|---------------|-----------------|----------------|---------------|---------------------------|----------------|----------------------|-------|---------------|---|
| | | | | | SCREW connect | Angled | | With back box | |
| | | | | | IP67 | IP67 | IP67 | IP67 | |
| 63 A | 3P + \perp | 50/60 | 100-130 V AC | 4 h | 81476 | 81276 | 81676 | - | |
| | 3P+N + \perp | 50/60 | | 4 h | 81477 | - | 81677 | - | |
| | 2P + \perp | 50/60 | | 6 h | 81478 | 81278 | 81678 | 81178 | |
| | 200-250 V AC | 3P + \perp | 50/60 | 9 h | 81479 | - | 81679 | 81179 | |
| | | 3P+N + \perp | 50/60 | 9 h | 81480 | - | 81680 | - | |
| | | 3P + \perp | 50/60 | 6 h | 81482 | 81282 | 81682 | 81182 | |
| | | 3P+N + \perp | 50/60 | 6 h | 81483 | 81283 | 81683 | 81183 | |
| | | 3P + \perp | 50/60 | 7 h | 81485 | 81285 | 81685 | 81185 | |
| | | 3P+N + \perp | 50/60 | 7 h | 81486 | 81286 | 81686 | 81186 | |
| | 125 A | 3P + \perp | 50/60 | 100-130 V AC | 4 h | 81488 | - | 81688 | - |
| | | 3P+N + \perp | 50/60 | | 4 h | 81489 | - | 81689 | - |
| | | 2P + \perp | 50/60 | | 6 h | 81490 | 81290 | 81690 | - |
| 200-250 V AC | | 3P + \perp | 50/60 | 9 h | 81491 | - | 81691 | 81191 | |
| | | 3P+N + \perp | 50/60 | 9 h | 81492 | - | 81692 | 81192 | |
| | | 3P + \perp | 50/60 | 6 h | 81494 | 81294 | 81694 | 81194 | |
| | | 3P+N + \perp | 50/60 | 6 h | 81495 | 81295 | 81695 | 81195 | |
| | | 3P + \perp | 50/60 | 7 h | 81497 | - | 81697 | - | |
| | | 3P+N + \perp | 50/60 | 7 h | 81498 | - | 81698 | - | |

Technical data, see page

28

29

33

30

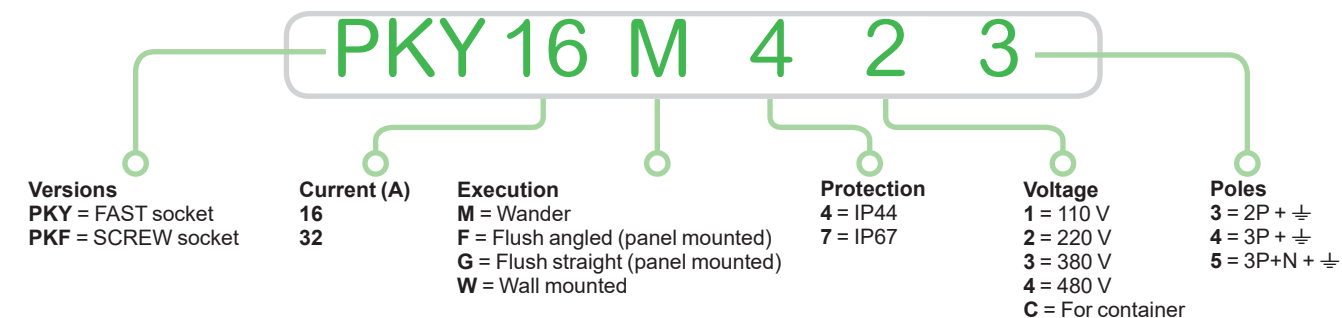


| Wander sockets | | Panel mounted sockets | | | | Wall-mounted sockets | | | | |
|----------------|-----------|-----------------------|-----------|-----------|-----------|----------------------|---------------|-----------|---------------|-------|
| SCREW connect | | Angled | | Straight | | FAST | SCREW connect | | With back box | |
| IP44 | IP67 | IP44 | IP67 | IP44 | IP67 | IP44 | IP44 | IP67 | IP44 | IP67 |
| - | - | PKF16F413 | PKF16F713 | PKF16G413 | - | - | PKF16W413 | - | - | 83151 |
| PKF16M414 | - | PKF16F414 | PKF16F714 | - | - | - | PKF16W414 | - | - | 83152 |
| - | - | PKF16F415 | PKF16F715 | - | - | - | PKF16W415 | - | - | 83153 |
| PKF16M423 | PKF16M723 | PKF16F423 | PKF16F723 | PKF16G423 | PKF16G723 | PKY16W423 | PKF16W423 | PKF16W723 | 83104 | 83154 |
| PKF16M424 | - | PKF16F424 | PKF16F724 | PKF16G424 | - | PKY16W424 | PKF16W424 | PKF16W724 | - | 83155 |
| PKF16M425 | - | PKF16F425 | PKF16F725 | - | - | - | PKF16W425 | PKF16W725 | 83106 | 83156 |
| PKF16M433 | PKF16M733 | PKF16F433 | PKF16F733 | PKF16G433 | - | - | PKF16W433 | PKF16W733 | - | 83157 |
| PKF16M434 | PKF16M734 | PKF16F434 | PKF16F734 | PKF16G434 | PKF16G734 | PKY16W434 | PKF16W434 | PKF16W734 | 83108 | 83158 |
| PKF16M435 | PKF16M735 | PKF16F435 | PKF16F735 | PKF16G435 | PKF16G735 | PKY16W435 | PKF16W435 | PKF16W735 | 83109 | 83159 |
| - | PKF16M744 | PKF16F444 | PKF16F744 | - | - | - | PKF16W444 | PKF16W744 | 83111 | 83161 |
| - | PKF16M745 | PKF16F445 | PKF16F745 | - | - | - | PKF16W445 | - | - | 83162 |
| - | - | PKF32F413 | PKF32F713 | - | - | - | PKF32W413 | - | - | 83163 |
| - | - | PKF32F414 | PKF32F714 | - | - | - | PKF32W414 | - | - | 83164 |
| - | - | PKF32F415 | PKF32F715 | PKF32G415 | - | - | PKF32W415 | - | - | 83165 |
| PKF32M423 | PKF32M723 | PKF32F423 | PKF32F723 | PKF32G423 | PKF32G723 | PKY32W423 | PKF32W423 | PKF32W723 | 83116 | 83166 |
| PKF32M424 | PKF32M724 | PKF32F424 | PKF32F724 | - | - | - | PKF32W424 | PKF32W724 | 83117 | 83167 |
| PKF32M425 | - | PKF32F425 | PKF32F725 | - | - | - | PKF32W425 | - | - | 83168 |
| - | PKF32M733 | PKF32F433 | PKF32F733 | - | - | - | PKF32W433 | PKF32W733 | - | 83169 |
| PKF32M434 | PKF32M734 | PKF32F434 | PKF32F734 | PKF32G434 | PKF32G734 | PKY32W434 | PKF32W434 | PKF32W734 | 83120 | 83170 |
| PKF32M435 | PKF32M735 | PKF32F435 | PKF32F735 | PKF32G435 | PKF32G735 | PKY32W435 | PKF32W435 | PKF32W735 | 83121 | 83171 |
| - | PKF32M7C4 | - | PKF32F7C4 | - | PKF32G7C4 | - | - | PKF32W7C4 | - | 81199 |
| - | PKF32M744 | - | PKF32F744 | - | - | - | PKF32W444 | - | 83123 | 83173 |
| PKF32M445 | PKF32M745 | PKF32F445 | - | - | - | - | PKF32W445 | - | - | 83174 |
| 28 | | 33 | | | | 29 | | | 30 | |

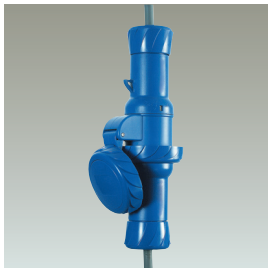

PratiKa domestic sockets 10 - 16 A

| Rated current | Poles and wires | Freq. Hz | Rated voltage | Type | Domestic sockets 50 x 50 | | | Domestic sockets 65 x 85 | | | |
|---|-----------------|----------|---------------|-------------|--------------------------|----------------|-----------------|--------------------------|----------------|-----------------|--------|
| | | | | | Code grey IP54 | Code blue IP54 | Code black IP54 | Code grey IP54 | Code blue IP54 | Code black IP54 | |
| 10 - 16 A | 2P + \pm | 50/60 | 200-250 V AC | Standard | - | - | - | - | 81139 | - | - |
| | | | | Italy | - | - | - | - | 81146 | - | - |
| | | | | French | PKN51G | PKN51B | PKN51N | PKN61G | 81140 | PKN61B | PKN61N |
| | | | | Germany | PKS51G | PKS51B | PKS51N | PKS61G | 81141 | PKS61B | PKS61N |
| | | | | England | PKS52G | PKS52B | PKS52N | PKS62G | - | PKS62B | - |
| | | | | Switzerland | - | - | - | - | - | - | - |
| Description | | | | | - | - | - | - | 81142 | - | - |
| Support with 1 adapter RJ45 + (50/60 Hz) | | | | | - | - | - | - | 81143 | - | - |
| Support with 2 adapters RJ45 + (50/60 Hz) | | | | | - | - | - | - | 81143 | - | - |
| Technical data, see page | | | | | 35 | | | | | | |

Learn how to define your PratiKa : industrial sockets



Technical data

| | | | FAST connection, without screws | SCREW connection |
|--------------------------------------|-----------------------------|-------------------------------------|---|---|
| | | |  |  |
| Main characteristics | | | Designed to supply fixed or movable equipment by a flexible cable. | |
| Degree of protection | According to IEC 60529 | 16 and 32 A | IP44 IP67 | IP44 IP67 |
| | | 63 and 125 A | - | IP67 |
| | According to IEC 62262 | Against external mechanical impacts | IK08 | IK08 |
| Materials | | | Housing made of self-extinguishing polymer Sleeves made of brass Springs and pins made of stainless steel | Housing made of self-extinguishing polymer Sleeves made of brass Springs and pins made of stainless steel |
| Pilot contact | | | - | Included in the 63 A and 125 A |
| Resistance to fire and abnormal heat | According to IEC 60695-2-11 | Glow wire test | 850°C | 850°C |
| Connection terminals | | | Without screws and without stripping the conductor | Captive screws, completely loosened |

Connection

| Rating (In) | FAST connection, without screws | | SCREW connection | | |
|----------------|--|--|--|---------------------|---|
| | Cable entry | Maximum cross section of conductors | Cable entry | | Maximum cross section of conductors |
| | IP44 / IP67 Fair-lead and cable clamp | IEC 60309-1/A1, 60309-2/A1 Stranded wire cables / flexible cables | IP44 / IP67 Fair-lead and cable clamp | IP67 Cable gland | Solid cables / stranded wire cables / flexible cables |
| 16 A | 8 - 15 mm | 1 to 2.5 mm ² | 8 - 15 mm | - | 1 to 4 mm ² |
| 32 A | 11.5 - 21 mm | 2.5 to 6 mm ² | 11.5 - 21 mm | - | 2.5 to 10 mm ² |
| 63 A | - | - | - | 17 - 31 mm / PG36 | 6 to 25 mm ² |
| 125 A | - | - | - | 26 - 48 mm / PG48 | 16 to 70 mm ² |

Code of wander sockets



| Rating | Rated voltage | | | | | | | | | | | |
|--|----------------|-----------|-----------|----------------|-----------|-----------|----------------|-----------|-----------|----------------|-----------|-----------|
| | 100 - 130 V AC | | | 200 - 250 V AC | | | 380 - 415 V AC | | | 480 - 500 V AC | | |
| Poles and wires | 2P + N | 3P + N | 3P+N + N | 2P + N | 3P + N | 3P+N + N | 2P + N | 3P + N | 3P+N + N | 2P + N | 3P + N | 3P+N + N |
| FAST connection, without screws | | | | | | | | | | | | |
| IP44 16 A | PKY16M413 | PKY16M414 | PKY16M415 | PKY16M423 | PKY16M424 | PKY16M425 | PKY16M433 | PKY16M434 | PKY16M435 | - | PKY16M444 | PKY16M445 |
| 32 A | PKY32M413 | PKY32M414 | PKY32M415 | PKY32M423 | PKY32M424 | PKY32M425 | PKY32M433 | PKY32M434 | PKY32M435 | - | PKY32M444 | PKY32M445 |
| IP67 16 A | PKY16M713 | PKY16M714 | PKY16M715 | PKY16M723 | PKY16M724 | PKY16M725 | PKY16M733 | PKY16M734 | PKY16M735 | - | PKY16M744 | PKY16M745 |
| 32 A | PKY32M713 | PKY32M714 | PKY32M715 | PKY32M723 | PKY32M724 | PKY32M725 | PKY32M733 | PKY32M734 | PKY32M735 | - | PKY32M744 | PKY32M745 |
| SCREW connection | | | | | | | | | | | | |
| IP44 16 A | - | PKF16M414 | - | PKF16M423 | PKF16M424 | PKF16M425 | PKF16M433 | PKF16M434 | PKF16M435 | - | - | - |
| 32 A | - | - | - | PKF32M423 | PKF32M424 | PKF32M425 | - | PKF32M434 | PKF32M435 | - | - | PKF32M445 |
| IP67 16 A | - | - | - | PKF16M723 | - | - | PKF16M733 | PKF16M734 | PKF16M735 | - | PKF16M744 | PKF16M745 |
| 32 A | - | - | - | PKF32M723 | PKF32M724 | - | PKF32M733 | PKF32M734 | PKF32M735 | - | PKF32M744 | PKF32M745 |
| 63 A | - | 81476 | 81477 | 81478 | 81479 | 81480 | - | 81482 | 81483 | - | 81485 | 81486 |
| 125 A | - | 81488 | 81489 | 81490 | 81491 | 81492 | - | 81494 | 81495 | - | 81497 | 81498 |



PratiKa sockets

Low voltage Wall-mounted sockets

Technical data

| | | | FAST connection, without screws | SCREW connection |
|--------------------------------------|-----------------------------|-------------------------------------|---|---|
| | | |  |  |
| Main characteristics | | | They can be wall-mounted to supply appliances with wander plugs. They are very compact in dimensions. | |
| Degree of protection | According to IEC 60529 | 16 and 32 A | IP44 | IP44 |
| | According to IEC 62262 | Against external mechanical impacts | IK08 | IK08 |
| Materials | | | Housing made of self-extinguishing polymer Sleeves made of brass Screws and springs made of stainless steel | Housing made of self-extinguishing polymer Sleeves made of brass Screws and springs made of stainless steel |
| Resistance to fire and abnormal heat | According to IEC 60695-2-11 | Glow wire test | 750°C | 750°C |
| Connection terminals | | | Without screws and without stripping the conductor | Captive screws, completely loosened |

Connection


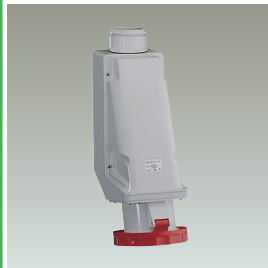
| | | FAST connection, without screws | | | SCREW connection | | |
|--------|----------------|---------------------------------|--|----------------|--|---|--|
| Rating | Cable diameter | Cable entry | Maximum cross section of conductors | Cable diameter | Cable entry | Maximum cross section of conductors | |
| (In) | | IP44 | IEC 60309-1/A1, 60309-2/A1 Stranded wire cables / flexible cables | | IP44 / IP67 | Solid cables / stranded wire cables / flexible cables | |
| 16 A | Max 21,0 mm | M25 threaded nut | 1 to 2.5 mm ² | Max 21,0 mm | IP44 M25 threaded nut, cable gland IP67 | 1 to 4 mm ² | |
| 32 A | | | 2.5 to 6 mm ² | | | 2.5 to 10 mm ² | |

Code of Wall-mounted sockets

| Rating | Rated voltage | | | | | | | | | | | |
|---------------------------------|----------------|-------------|---------------|----------------|-------------|---------------|----------------|-------------|---------------|----------------|-------------|---------------|
| | 100 - 130 V AC | | | 200 - 250 V AC | | | 380 - 415 V AC | | | 480 - 500 V AC | | |
| Poles and wires | 2P + \neq | 3P + \neq | 3P+N + \neq | 2P + \neq | 3P + \neq | 3P+N + \neq | 2P + \neq | 3P + \neq | 3P+N + \neq | 2P + \neq | 3P + \neq | 3P+N + \neq |
| FAST connection | | | | | | | | | | | | |
| IP44 16 A | - | - | - | PKY16W423 | PKY16W424 | - | - | PKY16W434 | PKY16W435 | - | - | - |
| 32 A | - | - | - | PKY32W423 | - | - | - | PKY32W434 | PKY32W435 | - | - | - |
| SCREW connection | | | | | | | | | | | | |
| IP44 16 A | PKF16W413 | PKF16W414 | PKF16W415 | PKF16W423 | PKF16W424 | PKF16W425 | PKF16W433 | PKF16W434 | PKF16W435 | - | PKF16W444 | PKF16W445 |
| 32 A | PKF32W413 | PKF32W414 | PKF32W415 | PKF32W423 | PKF32W424 | PKF32W425 | PKF32W433 | PKF32W434 | PKF32W435 | - | PKF32W444 | PKF32W445 |
| SMALL - SCREW connection | | | | | | | | | | | | |
| IP67 16 A | - | - | - | PKF16W723 | PKF16W724 | PKF16W725 | PKF16W733 | PKF16W734 | PKF16W735 | - | PKF16W744 | - |
| 32 A | - | - | - | PKF32W723 | PKF32W724 | - | PKF32W733 | PKF32W734 | PKF32W735 | - | - | - |



Technical data

| | | | Sockets with Back box | |
|--------------------------------------|-----------------------------|-------------------------------------|--|---|
| | | |  |  |
| Main characteristics | | | They can be wall-mounted to supply appliances with wander plugs. | |
| Degree of protection | According to IEC 60529 | 16 and 32 A | IP44 | |
| | | 63 A and 125 A | IP67 | |
| | According to IEC 62262 | Against external mechanical impacts | IK08 for 16 - 32 A | IK10 for 63 - 125 A |
| Materials | | | Housing made of self-extinguishing polymer | Sleeves made of nickel-plated brass |
| | | | Screws, pins and springs made of stainless steel | |
| Pilot contact | | | Included in the 63 A and 125 A | |
| Resistance to fire and abnormal heat | According to IEC 60695-2-11 | Glow wire test | 850°C | |
| Connection terminals | | | Captive screws, completely loosened | |

Connection

| | | | Sockets with Back box | | |
|-------------|-----------------------|------------------|---|--|--|
| Rating (In) | Cable entry | | Maximum cross section of conductors | | |
| | IP44 / IP67 Fair-lead | IP67 Cable gland | Solid and cables stranded wire cables flexibles | | |
| 16 A | 8 - 15 mm | PG16 (PG21 5P) | 1 to 4 mm ² | | |
| 32 A | 11,5 - 21 mm | PG21 | 2,5 to 10 mm ² | | |
| 63 A | - | PG29 | 6 to 25 mm ² | | |
| 125 A | - | PG48 | 16 to 70 mm ² | | |

Code of wall-mounted socket with Back box

| Rating | Rated voltage | | | | | | | | | | | | |
|-----------------|----------------|-------------|---------------|----------------|-------------|---------------|----------------|-------------|---------------|----------------|-------------|---------------|-------|
| | 100 - 130 V AC | | | 200 - 250 V AC | | | 380 - 415 V AC | | | 480 - 500 V AC | | | |
| Poles and wires | 2P + \neq | 3P + \neq | 3P+N + \neq | 2P + \neq | 3P + \neq | 3P+N + \neq | 2P + \neq | 3P + \neq | 3P+N + \neq | 2P + \neq | 3P + \neq | 3P+N + \neq | |
| IP44 16 A | - | - | - | 83104 | - | 83106 | - | 83108 | 83109 | - | 83111 | - | |
| | 32 A | - | - | 83116 | 83117 | - | - | 83120 | 83121 | - | 83123 | - | |
| IP67 16 A | 83151 | 83152 | 83153 | 83154 | 83155 | 83156 | 83157 | 83158 | 83159 | - | 83161 | 83162 | |
| | 32 A | 83163 | 83164 | 83165 | 83166 | 83167 | 83168 | 83169 | 83170 | 83171 | - | 83173 | 83174 |
| | 63 A | - | 81176 | 81177 | 81178 | 81179 | 81180 | - | 81182 | 81183 | - | 81185 | 81186 |
| | 125 A | - | - | 81189 | 81190 | 81191 | 81192 | - | 81194 | 81195 | - | 81197 | 81198 |




PratiKa sockets

Low voltage

Back box wall-mounted for PratiKa panel and sockets

Technical data

| | | | Back box wall-mounted |
|--------------------------------------|-----------------------------|-------------------------------------|--|
| | | |  |
| Main characteristics | | | They can be wall-mounted to supply appliances with wander plugs. The back box permit the use of panel sockets PratiKa, both screw and fast version, to create a wall installation with horizontal or angled outlet. |
| Degree of protection | According to IEC 60529 | 16 and 32 A | IP44 |
| | According to IEC 62262 | Against external mechanical impacts | IP67 (box + panel socket) |
| Materials | | | Housing made of self-extinguishing polymer Screws, made of stainless steel |
| Resistance to fire and abnormal heat | According to IEC 60695-2-11 | Glow wire test | 850°C |

Connection

| | | | Back box wall-mounted |
|---------------|--------------------|--|--|
| Rating | Cable entry | | |
| (In) | | | IP44/IP67 |
| 16 A and 32 A | | | Cable diameter M25 cable gland Max 21 mm |
| | | | Possibility to make in/out in the bottom part of the box (position for drilling M20, M25 or M32). Threaded caps M25 supplied with gasket IP67 |

PB102315



PKZ100



PKZ085

Code of Back box wall mounted for fitting PratiKa panel sockets IP44 / IP67

| Description poles | Code |
|---|---------------|
| Small sized BOX | |
| Permits the mounting of socket (16 A 3 or 4 poles) with flange 65 x 85 | PKZ085 |
| Big sized BOX | |
| Permits the mounting of socket (16 A 5 poles and 32 A 3 or 4 or 5 poles) with flange 90 x 100 | PKZ100 |
| Description poles | Code |
| Cable gland | |
| M25 | PKZ025 |
| M32 | PKZ032 |

PB102317



PG 146211



PB102316



Example



PKZ100 + PKY16G734

PratiKa sockets

Low voltage

Panel-mounted angled and straight sockets

Technical data

| | | | FAST connection, without screws | |
|--------------------------------------|-----------------------------|-------------------------------------|---|---|
| | | | Angled sockets | Straight sockets |
| | | |  |  |
| Main characteristics | | | They can be mounted on a plate, panel or machine to supply appliance with wander plugs. | |
| Degree of protection | According to IEC 60529 | 16 and 32 A | IP44 | IP44 |
| | According to IEC 62262 | Against external mechanical impacts | IP67 | IP67 |
| Materials | | | Housing made of self-extinguishing polymer | Housing made of self-extinguishing polymer |
| | | | Sleeves made of brass | Sleeves made of brass |
| Resistance to fire and abnormal heat | According to IEC 60695-2-11 | Glow wire test | Spring made of stainless steel | Spring made of stainless steel |
| | | | 850°C | 850°C |
| Flange dimensions (IP44 - IP67) | 16 A | 2P + \perp | 65 x 85 mm | 65 x 85 mm |
| | | 3P + \perp | 65 x 85 mm | 65 x 85 mm |
| | | 3P+N + \perp | 90 x 100 mm | 90 x 100 mm |
| | 32 A | 2P + \perp | 90 x 100 mm | 90 x 100 mm |
| | | 3P + \perp | 90 x 100 mm | 90 x 100 mm |
| | | 3P+N + \perp | 90 x 100 mm | 90 x 100 mm |
| Connection terminals | | | Without screws and without stripping the conductor | Without screws and without stripping the conductor |

Connection

| | | FAST connection, without screws | |
|---------------|--|--|--------------------------|
| | | Angled sockets | Straight sockets |
| Rating | | Maximum cross section of conductors | |
| (In) | | IEC 60309-1/A1, 60309-2/A1 Stranded wire cables / flexible cables | |
| 16 A | | 1 to 4 mm ² | 1 to 4 mm ² |
| 32 A | | 2.5 to 6 mm ² | 2.5 to 6 mm ² |

Code of panel-mounted angled and straight sockets

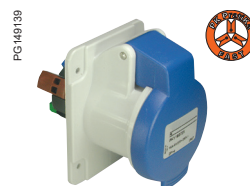
| Rating | Rated voltage | | | | | | | | | | | | |
|---|----------------|--------------|----------------|----------------|--------------|----------------|----------------|--------------|----------------|----------------|--------------|----------------|-----------|
| | 100 - 130 V AC | | | 200 - 250 V AC | | | 380 - 415 V AC | | | 480 - 500 V AC | | | |
| Poles and wires | 2P + \perp | 3P + \perp | 3P+N + \perp | 2P + \perp | 3P + \perp | 3P+N + \perp | 2P + \perp | 3P + \perp | 3P+N + \perp | 2P + \perp | 3P + \perp | 3P+N + \perp | |
| FAST connection, without screws - Angled sockets | | | | | | | | | | | | | |
| IP44 | 16 A | PKY16F413 | PKY16F414 | PKY16F415 | PKY16F423 | PKY16F424 | PKY16F425 | PKY16F433 | PKY16F434 | PKY16F435 | - | PKY16F444 | PKY16F445 |
| | 32 A | PKY32F413 | PKY32F414 | PKY32F415 | PKY32F423 | PKY32F424 | PKY32F425 | PKY32F433 | PKY32F434 | PKY32F435 | - | PKY32F444 | PKY32F445 |
| IP67 | 16 A | PKY16F713 | PKY16F714 | PKY16F715 | PKY16F723 | PKY16F724 | PKY16F725 | PKY16F733 | PKY16F734 | PKY16F735 | - | PKY16F744 | PKY16F745 |
| | 32 A | PKY32F713 | PKY32F714 | PKY32F715 | PKY32F723 | PKY32F724 | PKY32F725 | PKY32F733 | PKY32F734 | PKY32F735 | - | PKY32F744 | PKY32F745 |
| FAST connection, without screws - Straight sockets | | | | | | | | | | | | | |
| IP44 | 16 A | - | - | - | PKY16G423 | - | - | - | PKY16G434 | PKY16G435 | - | - | - |
| | 32 A | - | - | - | PKY32G423 | - | - | - | PKY32G434 | PKY32G435 | - | PKY32G444 | PKY32G445 |
| IP67 | 16 A | - | PKY16G714 | - | PKY16G723 | - | PKY16G725 | - | PKY16G734 | PKY16G735 | - | - | - |
| | 32 A | - | - | - | PKY32G723 | - | - | - | PKY32G734 | PKY32G735 | - | - | - |



PKY16F423



PKY32F734



PKY16G423



PKY32G734



Sockets

PratiKa sockets

Low voltage

Panel-mounted angled and straight sockets

Technical data

| | | | SCREW connection Angled sockets | Straight sockets |
|--------------------------------------|-----------------------------|-------------------------------------|---|---|
| | | |  |  |
| Main characteristics | | | They can be mounted on a plate, panel or machine to feed appliances with wandler plugs. | |
| Degree of protection | According to IEC 60529 | 16 and 32 A | IP44 | IP44 |
| | | 63 and 125 A | IP67 | IP67 |
| | According to IEC 62262 | Against external mechanical impacts | IK08 for 16 - 32 A IK10 for 63 - 125 A | IK08 for 16 - 32 A IK10 for 63 - 125 A |
| Materials | | | Housing made of self-extinguishing polymer Sleeves made of brass Pins and springs made of stainless steel | Housing made of self-extinguishing polymer Sleeves made of brass Pins and springs made of stainless steel |
| Pilot contact | | | Included in the 63 A and 125 A | Included in the 63 A and 125 A |
| Resistance to fire and abnormal heat | According to IEC 60695-2-11 | Glow wire test | 850°C | 850°C |
| Flange dimensions (IP44 - IP67) | 16 A | 2P + ⊕, 3P + ⊕ | 65 x 85 mm | 65 x 85 mm |
| | | 3P+N + ⊕ | 90 x 100 mm | 90 x 100 mm |
| | 32 A | | 90 x 100 mm | 90 x 100 mm |
| | | | 100 x 107 mm | 100 x 107 mm |
| | | | 110 x 114 mm | 110 x 114 mm |
| Connection terminals | | | Captive screws, completely loosened | Captive screws, completely loosened |

Connection

| | | | SCREW connection Angled sockets | Straight sockets |
|--------------------|--|--|--|---------------------------|
| Rating (In) | | | Maximum cross section of conductors Solid cables / stranded wire cables / flexible cables | |
| 16 A | | | 1 to 4 mm ² | 1 to 4 mm ² |
| 32 A | | | 2.5 to 10 mm ² | 2.5 to 10 mm ² |
| 63 A | | | 6 to 25 mm ² | 6 to 25 mm ² |
| 125 A | | | 16 to 70 mm ² | 16 to 70 mm ² |

Code of panel-mounted angled and straight sockets

| Rating | Rated voltage | | | | | | | | | | | | |
|--|----------------|-----------|-----------|----------------|-----------|-----------|----------------|-----------|-----------|----------------|--------|-----------|-----------|
| | 100 - 130 V AC | | | 200 - 250 V AC | | | 380 - 415 V AC | | | 480 - 500 V AC | | | |
| Poles and wires | 2P + ⊕ | 3P + ⊕ | 3P+N + ⊕ | 2P + ⊕ | 3P + ⊕ | 3P+N + ⊕ | 2P + ⊕ | 3P + ⊕ | 3P+N + ⊕ | 2P + ⊕ | 3P + ⊕ | 3P+N + ⊕ | |
| SCREW connection - Angled sockets | | | | | | | | | | | | | |
| IP44 | 16 A | PKF16F413 | PKF16F414 | PKF16F415 | PKF16F423 | PKF16F424 | PKF16F425 | PKF16F433 | PKF16F434 | PKF16F435 | - | PKF16F444 | PKF16F445 |
| | 32 A | PKF32F413 | PKF32F414 | PKF32F415 | PKF32F423 | PKF32F424 | PKF32F425 | PKF32F433 | PKF32F434 | PKF32F435 | - | - | PKF32F445 |
| IP67 | 16 A | PKF16F713 | PKF16F714 | PKF16F715 | PKF16F723 | PKF16F724 | PKF16F725 | PKF16F733 | PKF16F734 | PKF16F735 | - | PKF16F744 | PKF16F745 |
| | 32 A | PKF32F713 | PKF32F714 | PKF32F715 | PKF32F723 | PKF32F724 | PKF32F725 | PKF32F733 | PKF32F734 | PKF32F735 | - | PKF32F744 | - |
| | 63 A | - | 81276 | 81277 | 81278 | 81279 | 81280 | - | 81282 | 81283 | - | 81285 | 81286 |
| | 125 A | - | 81288 | 81289 | 81290 | 81291 | 81292 | - | 81294 | 81295 | - | 81297 | 81298 |
| SCREW connection - Straight sockets | | | | | | | | | | | | | |
| IP44 | 16 A | PKF16G413 | - | - | PKF16G423 | PKF16G424 | - | PKF16G433 | PKF16G434 | PKF16G435 | - | - | - |
| | 32 A | - | - | PKF32G415 | PKF32G423 | - | - | PKF32G434 | PKF32G435 | - | - | - | - |
| IP67 | 16 A | - | - | - | PKF16G723 | - | - | PKF16G734 | PKF16G735 | - | - | - | - |
| | 32 A | - | - | - | PKF32G723 | - | - | PKF32G734 | PKF32G735 | - | - | - | - |
| | 63 A | - | 81676 | 81677 | 81678 | 81679 | 81680 | - | 81682 | 81683 | - | 81685 | 81686 |
| | 125 A | - | 81688 | 81689 | 81690 | 81691 | 81692 | - | 81694 | 81695 | - | 81697 | 81698 |

PG148174



PKF16F423

PG148179



PKF32F734

PG148183



81283

PG148186



PKF16G423

PG148191



PKF32G734

PG148195




81683

PratiKa sockets

Low voltage

Multiple adapters

Technical data

| | | Multiple adapters | |
|--|-----------------------------|---|--------------|
| | |  | |
| Main characteristics | | They can be used for temporary situations only and in certain industrial environments where there is no danger of explosions or fire. | |
| Conceived in conformity with standards | | IEC 60309-1, IEC 60309-2 and IEC 60309-4 | |
| Degree of protection | According to IEC 60529 | 16 and 32 A | IP44 IP67 |
| | According to IEC 62262 | Against external mechanical impacts | IK08 |
| Materials | | Housing made of self-extinguishing polymer Pins made of nickel-plated brass Sleeves made of brass Stainless steel screw | |
| LEDs when lighted show the presence of Voltage in each plug's phases, it is not a protection | | If it should be off, control the switch-board before usage or maintenance | |
| Resistance to fire and abnormal heat | According to IEC 60695-2-11 | Glow wire test | 850°C |

Code of multiple adapter - 1 Plug + 2 Socket-outlets

| Plug side | | | Socket side | | | | |
|-----------|--------------|----------------|-------------|--------------|----------------|----------------|---------|
| Rating | Poles | Rated voltage | No. | Rating | Poles | Rated voltage | |
| IP44 16 A | 2P + \perp | 200 - 250 V AC | 2 | 16 A | 2P + \perp | 200 - 250 V AC | PKZM403 |
| | 3P + \perp | 380 - 415 V AC | 2 | 16 A | 3P + \perp | 380 - 415 V AC | PKZM406 |
| IP67 16 A | 2P + \perp | 100 - 130 V AC | 2 | 16 A | 2P + \perp | 100 - 130 V AC | PKZM701 |
| | | 200 - 250 V AC | 2 | 16 A | 2P + \perp | 200 - 250 V AC | PKZM703 |
| | | 380 - 415 V AC | 2 | 16 A | 2P + \perp | 380 - 415 V AC | PKZM705 |
| | 3P + \perp | 2 | 16 A | 3P + \perp | 380 - 415 V AC | PKZM706 | |

Code of multiple adapter - 1 Plug + 3 Socket-outlets

| Plug side | | | Socket side | | | | |
|-----------|--------------|----------------|----------------|----------------|----------------|----------------|----------------|
| Rating | Poles | Rated voltage | No. | Rating | Poles | Rated voltage | |
| IP44 16 A | 2P + \perp | 200 - 250 V AC | 3 | 16 A | 2P + \perp | 200 - 250 V AC | PKZM409 |
| | 3P + \perp | 380 - 415 V AC | 3 | 16 A | 3P + \perp | 380 - 415 V AC | PKZM412 |
| | 32 A | 3P+N + \perp | 380 - 415 V AC | 2 | 16 A | 2P + \perp | 200 - 250 V AC |
| 1 | | | | 32 A | 3P+N + \perp | 380 - 415 V AC | - |
| IP67 16 A | 2P + \perp | 100 - 130 V AC | 3 | 16 A | 2P + \perp | 100 - 130 V AC | - |
| | | 200 - 250 V AC | 3 | 16 A | 2P + \perp | 200 - 250 V AC | PKZM709 |
| | 3P + \perp | 380 - 415 V AC | 3 | 16 A | 2P + \perp | 380 - 415 V AC | PKZM712 |
| | | 32 A | 3P+N + \perp | 2 | 16 A | 3P + \perp | 200 - 250 V AC |
| 1 | 32 A | | | 3P+N + \perp | 380 - 415 V AC | - | |



PratiKa sockets

Low voltage

Domestic panel-mounted sockets

Functions

They are available in the panel-mounted versions and can be fitted directly on Kaedra enclosures or on wall-boxes (PKZ085).

Technical data

| Main characteristics | | | |
|--------------------------------------|---|-------------------------------------|-------|
| Colors | Blue, black or gray (RAL 7035) | | |
| Degree of protection | According to IEC 60529 | IP54 and IP65 | |
| | According to IEC 62262 | Against external mechanical impacts | IK09 |
| Materials | Housing made of self-extinguishing polymer Pins and springs made of stainless steel Spring loaded cover | | |
| Resistance to fire and abnormal heat | According to IEC 60695-2-11 | Glow wire test | 850°C |

PB102189



81139

PB102190



81140

Code for domestic sockets 65 x 85 - IP65

| Rating | Rated voltage | Type | Number of sockets | Code grey |
|-----------|---------------|-------------|-------------------|-----------|
| | 250 V AC | | | |
| Poles | 2P + \neq | Standard | | |
| 10 - 16 A | | Italy | 2 | 81139 |
| | | | 1 (dual - use) | 81146 |
| | | French | 1 | 81140 |
| | | Germany | 1 | 81141 |
| | | England | 1 | - |
| | | Switzerland | 1 | - |

PB102191



81141

PB102192



81142

Code for RJ 45 support 65 x 85 - IP65

| Description | Code grey |
|----------------------|-----------|
| With 1 adapter RJ45 | 81142 |
| With 2 adapters RJ45 | 81143 |

PB102193



PKS52B

PB102194

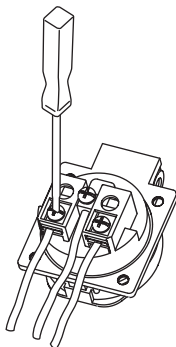


PKS61B

Code for domestic sockets 50 x 50 - IP54

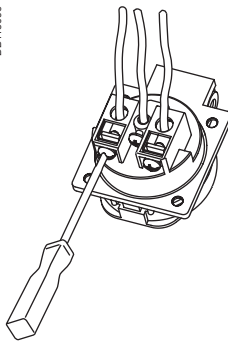
| Rating | Rated voltage | Type | Code | | |
|--------------------------------|---------------|----------|--------|--------|--------|
| | 250 V AC | | | | |
| Poles | 2P + \neq | Standard | Grey | Blue | Black |
| With back tightening terminals | | | | | |
| 10 - 16 A | | Germany | PKS51G | PKS51B | PKS51N |
| | | French | PKN51G | PKN51B | PKN51N |
| With side tightening terminals | | | | | |
| 10 - 16 A | | Germany | PKS52G | PKS52B | PKS52N |

DB113067



PKS51G
Version with back tightening terminals

DB113066



PKS52G
Version with side tightening terminals

Code for domestic sockets 65 x 85 - IP54

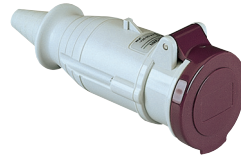
| Rating | Rated voltage | Type | Code | | |
|--------------------------------|---------------|----------|--------|--------|--------|
| | 250 V AC | | | | |
| Poles | 2P + \neq | Standard | Grey | Blue | Black |
| With back tightening terminals | | | | | |
| 10 - 16 A | | Germany | PKS61G | PKS61B | PKS61N |
| | | French | PKN61G | PKN61B | PKN61N |
| With side tightening terminals | | | | | |
| 10 - 16 A | | Germany | PKS62G | PKS62B | - |
| | | French | - | PKN62B | - |

PratiKa sockets

Extra-low voltage

Selection guide

Sockets 16 - 32 A



| Rated current | Poles and wires | Freq. Hz | Rated voltage | Clock position of secondary keyway | Wander sockets | |
|--------------------------|-----------------|-------------|-------------------|------------------------------------|----------------|-------|
| | | | | | IP44 | IP67 |
| 16 A | 2P | 50/60 | 20-25 V | s.r. | 82401 | 82451 |
| | 3P | 50/60 | | s.r. | - | 82452 |
| | 2P | 50/60 | 40-50 V | 12 h | - | 82453 |
| | 3P | 50/60 | | 12 h | 82404 | 82454 |
| | 2P | 100/200 | 20-25 V / 40-50 V | 4 h | - | 82455 |
| | 3P | 100/200 | | 4 h | - | 82456 |
| | 2P | 401/500 | | 11 h | 82411 | - |
| | 3P | 401/500 | | 11 h | - | - |
| | 2P | --- | 20-25 V / 40-50 V | 10 h | 82413 | 82463 |
| 32 A | 2P | 50/60 | 20-25 V | s.r. | - | 82465 |
| | 3P | 50/60 | | s.r. | - | 82466 |
| | 2P | 50/60 | 40-50 V | 12 h | - | 82467 |
| | 3P | 50/60 | | 12 h | - | 82468 |
| | 2P | 100/200 | 20-25 V / 40-50 V | 4 h | - | - |
| | 3P | 100/200 | | 4 h | 82420 | 82470 |
| | 2P | 401/500 | | 11 h | - | - |
| | 3P | 401/500 | | 11 h | - | - |
| | 2P | --- | 20-25 V / 40-50 V | 10 h | - | 82477 |
| Technical data, see page | | | | | 38 | |

Sockets with safety transformer

Unika



| Rated power | Rated voltage | | Number and type of sockets | Panel mounted version | | Wall-mounted version possible with back box 83919 / 83920 or Flush 83924 | |
|--------------------------|---------------|-----------|----------------------------|-----------------------|-------|--|------|
| | Primary | Secondary | | IP44 | IP65 | IP44 | IP65 |
| 160 VA | 230 V | 24 V | 1 x 2P 16 A | 82026 | 82076 | - | - |
| Technical data, see page | | | | 44 | | | |



Panel-mounted straight sockets
Flange 65 x 65

Wall-mounted sockets

| IP44 | IP67 | IP44 | IP44 (67) |
|-----------|-------|-------|-----------|
| 82901 | 82951 | 82101 | 82151 |
| - | 82952 | - | - |
| 82903 | 82953 | 82103 | - |
| 82904 | 82954 | - | 82154 |
| 82905 | 82955 | - | - |
| 82906 | 82956 | - | - |
| - | - | - | - |
| 82912 | - | - | - |
| - | 82963 | - | - |
| 82915 | 82965 | - | - |
| 82916 | 82966 | - | - |
| - | 82967 | - | - |
| 82918 | 82968 | 82118 | - |
| 82919 | 82969 | - | - |
| 82920 | 82970 | - | - |
| - | - | - | - |
| 82926 | 82976 | 82126 | 82176 |
| 82927 | 82977 | - | - |
| 39 | | | |



PratiKa sockets

Extra-low voltage Wander sockets

Technical data

| | | | Wander sockets |
|--------------------------------------|-----------------------------|-------------------------------------|--|
| | | |  |
| Main characteristics | | | Designed to supply fixed or movable equipments by a flexible cable. |
| Degree of protection | According to IEC 60529 | 16 and 32 A | IP44 |
| | According to IEC 62262 | Against external mechanical impacts | IP67 |
| | | | IK08 |
| Materials | | | Housing made of self-extinguishing polymer |
| | | | Sleeves made of nickel-plated brass |
| | | | Screws and springs made of stainless steel |
| Resistance to fire and abnormal heat | According to IEC 60695-2-11 | Glow wire test | 850°C |
| Connection terminals | | | Captive screws, completely loosened |

Connection

| | | | | Wander sockets |
|-------------|-----------------------|------------------|---|----------------|
| Rating (In) | Cable entry | | Maximum cross section of conductors | |
| | IP44 / IP67 Fair-lead | IP67 Cable gland | Solid and stranded wire flexible cables | |
| 16 A | 6 - 23 mm | PG21 | 4 to 10 mm ² | |
| 32 A | 6 - 23 mm | PG21 | 4 to 10 mm ² | |



Code of wander sockets

| Rating | Rated voltage | | | | | | | | | |
|-----------------|---------------------|-------|---------------------|-------|---------------------------------|-------|-------|----|--------------------------|----|
| | 20-25 V 50/60 Hz | | 40-50 V 50/60 Hz | | 20-25 V / 40-50 V 100-200 Hz | | | | 20-25 V / 40-50 V --- | |
| Poles and wires | 2P | 3P | 2P | 3P | 2P | 3P | 2P | 3P | 2P | 3P |
| IP44 16 A | 82401 | - | - | 82404 | - | - | 82411 | - | 82413 | - |
| 32 A | - | - | - | - | - | 82420 | - | - | - | - |
| IP67 16 A | 82451 | 82452 | 82453 | 82454 | 82455 | 82456 | - | - | 82463 | - |
| 32 A | 82465 | 82466 | 82467 | 82468 | - | 82470 | - | - | 82477 | - |



82468

Technical data

| | | | Panel-mounted sockets | Wall-mounted sockets |
|--------------------------------------|-----------------------------|-------------------------------------|---|---|
| | | | PE102243  | PE102244  |
| Main characteristics | | | They can be mounted on a plate, panel or machine to supply appliances with wander plugs. | They can be wall-mounted to supply appliances with wander plugs. |
| Degree of protection | According to IEC 60529 | 16 and 32 A | IP44 IP67 | IP44 IP67 |
| | According to IEC 62262 | Against external mechanical impacts | IK08 | IK08 |
| Materials | | | Housing made of self-extinguishing polymer Sleeves made of nickel-plated brass Screws and springs made of stainless steel | Housing made of self-extinguishing polymer Sleeves made of nickel-plated brass Screws and springs made of stainless steel |
| Resistance to fire and abnormal heat | According to IEC 60695-2-11 | Glow wire test | 850°C | 850°C |
| Connection terminals | | | Captive screws, completely loosened | Captive screws, completely loosened |

Connection

| Rating (In) | Panel-mounted sockets | Wall-mounted sockets | | |
|----------------|--|---------------------------------------|---------------------|---|
| | Maximum cross section of conductors Solid and stranded wire flexible cables | Cable entry IP44 / IP67 M25 nut | IP67 Cable gland | Maximum cross section of conductors Solid, wstranded and flexible cables |
| 16 A | 1 to 2,5 mm ² | 6 - 23 mm | PG21 | 4 to 10 mm ² |
| 32 A | 2,5 to 6 mm ² | 6 - 23 mm | PG21 | 4 to 10 mm ² |

Code of panel-mounted sockets

| Rating | Rated voltage | | | | | | | | | | | |
|-------------------|---------------------|-------|---------------------|-------|---------------------------------|-------|-------|----|------------|-------|--------------------------|----|
| | 20-25 V 50/60 Hz | | 40-50 V 50/60 Hz | | 20-25 V / 40-50 V 100-200 Hz | | | | 401-500 Hz | | 20-25 V / 40-50 V --- | |
| Poles and wires | 2P | 3P | 2P | 3P | 2P | 3P | 2P | 3P | 2P | 3P | 2P | 3P |
| Flange 65 x 65 mm | | | | | | | | | | | | |
| IP44 | 16 A | 82901 | - | 82903 | 82904 | 82905 | 82906 | - | 82912 | - | - | - |
| | 32 A | 82915 | 82916 | - | - | 82919 | 82920 | - | 82926 | 82927 | - | - |
| IP67 | 16 A | 82951 | 82952 | 82953 | 82954 | 82955 | 82956 | - | - | 82963 | - | - |
| | 32 A | 82965 | 82966 | 82967 | 82968 | 82969 | 82970 | - | 82976 | 82977 | - | - |

Code of wall-mounted sockets

| Rating | Rated voltage | | | | | | | | | | | |
|-----------------|---------------------|-------|---------------------|-------|---------------------------------|----|----|----|------------|----|--------------------------|----|
| | 20-25 V 50/60 Hz | | 40-50 V 50/60 Hz | | 20-25 V / 40-50 V 100-200 Hz | | | | 401-500 Hz | | 20-25 V / 40-50 V --- | |
| Poles and wires | 2P | 3P | 2P | 3P | 2P | 3P | 2P | 3P | 2P | 3P | 2P | 3P |
| IP44 | 16 A | 82101 | - | 82103 | - | - | - | - | - | - | - | - |
| | 32 A | - | - | - | - | - | - | - | 82126 | - | - | - |
| IP67 | 16 A | 82151 | - | - | 82154 | - | - | - | - | - | - | - |
| | 32 A | - | - | - | - | - | - | - | 82176 | - | - | - |



82901



82954



82101

PratiKa sockets

With interlock switch
Unika - Isoblock / Selection guide

Sockets with interlock switch

Unika - Panel-mounted version



| Rated nominal | Poles and wires | Freq. Hz | Rated voltage | Clock position of contact | Without protection | | | Protected by FUSE carrier | | | With DIN rail |
|----------------|-----------------|-----------|---------------|---------------------------|--------------------|-------|-----------|---------------------------|-------|-----------|---------------|
| | | | | | IP44 | IP65 | IP65 | IP44 | IP65 | IP65 | IP65 |
| 16 A | 2P + \perp | 50/60 | 100-130 V | 4 h | 82028 | 82078 | - | 82128 | 82178 | - | - |
| | 3P + \perp | 50/60 | | 4 h | 82029 | 82079 | - | 82129 | 82179 | - | - |
| | 3P+N + \perp | 50/60 | | 4 h | 82030 | 82080 | - | 82130 | 82180 | - | - |
| | 2P + \perp | 50/60 | 200-250 V | 6 h | 82031 | 82081 | - | 82132 | 82181 | - | - |
| | 3P + \perp | 50/60 | | 9 h | 82032 | 82082 | - | 82132 | 82182 | - | - |
| | 3P+N + \perp | 50/60 | | 9 h | 82033 | 82083 | - | 82133 | 82183 | - | - |
| | 2P + \perp | 50/60 | 380-415 V | 9 h | 82034 | 82084 | - | 82134 | 82184 | - | - |
| | 3P + \perp | 50/60 | | 6 h | 82035 | 82085 | - | 82135 | 82185 | - | - |
| | 3P+N + \perp | 50/60 | | 6 h | 82036 | 82086 | - | 82136 | 82186 | - | - |
| | 3P + \perp | 50/60 | 480-500 V | 7 h | 82037 | 82087 | - | 82137 | 82187 | - | - |
| 3P+N + \perp | 50/60 | 7 h | | 82038 | 82088 | - | 82138 | 82188 | - | - | |
| 32 A | 2P + \perp | 50/60 | 100-130 V | 4 h | 82039 | 82089 | - | 82139 | 82189 | - | - |
| | 3P + \perp | 50/60 | | 4 h | 82040 | 82090 | - | 82140 | 82190 | - | - |
| | 3P+N + \perp | 50/60 | 4 h | 82041 | 82091 | - | 82141 | 82191 | - | - | |
| | 2P + \perp | 50/60 | 200-250 V | 6 h | 82042 | 82092 | - | 82142 | 82192 | - | - |
| | 3P + \perp | 50/60 | | 9 h | 82043 | 82093 | - | 82143 | 82193 | - | - |
| | 3P+N + \perp | 50/60 | | 9 h | 82044 | 82094 | - | 82144 | 82194 | - | - |
| | 2P + \perp | 50/60 | 380-415 V | 9 h | 82045 | 82095 | - | 82145 | 82195 | - | - |
| | 3P + \perp | 50/60 | | 6 h | 82046 | 82096 | - | 82146 | 82196 | - | - |
| | 3P+N + \perp | 50/60 | | 6 h | 82047 | 82097 | - | 82147 | 82197 | - | - |
| | 3P + \perp | 50/60 | 380-440 V | 3 h | - | - | - | - | - | - | - |
| 3P + \perp | 50/60 | 7 h | | 82048 | 82098 | - | 82148 | 82198 | - | - | |
| 3P+N + \perp | 50/60 | 480-500 V | 7 h | 82049 | 82099 | - | 82149 | 82199 | - | - | |
| 3P + \perp | 50/60 | | 4 h | - | - | - | - | - | - | - | |
| 63 A | 3P+N + \perp | 50/60 | 100-130 V | 4 h | - | - | - | - | - | PKB63V514 | - |
| | 3P+N + \perp | 50/60 | | 4 h | - | - | PKB63T515 | - | - | PKB63V515 | - |
| | 2P + \perp | 50/60 | 200-250 V | 6 h | - | - | PKB63T523 | - | - | PKB63V523 | PKB63U523 |
| | 3P + \perp | 50/60 | | 9 h | - | - | PKB63T524 | - | - | PKB63V524 | - |
| | 3P+N + \perp | 50/60 | | 9 h | - | - | - | - | - | PKB63V525 | - |
| | 3P + \perp | 50/60 | 380-415 V | 6 h | - | - | PKB63T534 | - | - | PKB63V534 | PKB63U534 |
| | 3P+N + \perp | 50/60 | | 6 h | - | - | PKB63T535 | - | - | PKB63V535 | PKB63U535 |
| | 3P + \perp | 50/60 | | 7 h | - | - | - | - | - | - | - |
| | 3P+N + \perp | 50/60 | 480-500 V | 7 h | - | - | - | - | - | - | - |
| | 3P+N + \perp | 50/60 | | 7 h | - | - | - | - | - | - | - |

Technical data, see page 42

Sockets with safety transformer

Unika - Panel-mounted version



| Rated power VA | Number and type of sockets | Rated voltage | | IP44 | IP65 |
|----------------|----------------------------|---------------|-----------|-------|-------|
| | | Primary | Secondary | | |
| 16 A | 1 x 2P 16 A | 230 V | 24 V | 82026 | 82076 |

Technical data, see page 44

Wall and embedded box

Unika - Panel-mounted version



| Number of sockets | Embedded box |
|------------------------|--------------|
| 1 | 83924 |
| 1 unmarked walls | - |
| 1 wall with knock-outs | - |
| 1 with junction box | - |
| 2 with junction box | - |
| 3 with junction box | - |

Technical data, see page 46

PratiKa sockets

With interlock switch

Unika series / Panel-mounted version

Technical data

| | | Protected by disconnect fuse carriers | Without protection / DIN rail |
|--------------------------------------|--|--|---|
| | | Their technical, functional and aesthetic qualities make them particularly suitable for installation in the tertiary and industry sectors. | |
| Main characteristics | | The switch can be externally padlocked into position "0" and "1". | |
| Colour | | RAL 7035 | RAL 7035 |
| Degree of protection | According to IEC 60529 | IP44 and IP65 | IP44 and IP65 |
| | According to IEC 62262 | Against external mechanical impacts | IK09 |
| Materials | | Housing made of self-extinguishing polymer External pins, pins and screws made of stainless steel | Housing made of self-extinguishing polymer External pins, pins and screws made of stainless steel |
| Construction | According to IEC 60309-2-4 | IP44 and IP65 | IP44 and IP65 |
| Resistance to fire and abnormal heat | According to IEC 60695-2-11 | Glow wire test 750°C | 750°C |
| Operating voltage (400 V) | According to IEC 60947-3 | 16 A 32 A 63 A | 20 A (AC22) / 9.5 kW (AC23A) 32 A (AC22) / 16 kW (AC23A) 63 A (AC22) / 22 kW (AC23A) / 15.5 kW (AC23) |
| Fuse holder | Complying with IEC 60269 (non supplied with the product) | 16 - 32 A 63 A | For CH 10,3 x 38 type fuse For D02 type fuse |
| | The door to accede to the fuse holders can be: | Opened only with the switch in position "0" Equipped with key-lock (available as accessory) in its handle | - - |
| DIN rail version | DIN rail up to 4,5 modules | - | ■ DIN rail up to 4,5 modules |
| | The door to accede to the modular devices can be: | - | Opened only when the switch is on the "0" position Equipped with key-lock (available as accessory) in its handle |
| Connection terminals | | Captive screws | Captive screws |

Connection

| | | Protected by disconnect fuse carriers | Without protection |
|--------------------|--|--|--------------------|
| Rating (In) | | Maximum cross section of conductors | |
| 16 A, 32 A | | 10 mm ² | 10 mm ² |
| 63 A | | 35 mm ² | 35 mm ² |

Code of panel-mounted sockets Unika

| Rating | Rated voltage | | | | | | | | | | | | |
|--|---------------|--------|-----------|-------------|-----------|-----------|-------------|--------|-----------|-------------|--------|----------|-------|
| | 100 - 130 V | | | 200 - 250 V | | | 380 - 415 V | | | 480 - 500 V | | | |
| Poles and wires | 2P + ⚡ | 3P + ⚡ | 3P+N + ⚡ | 2P + ⚡ | 3P + ⚡ | 3P+N + ⚡ | 2P + ⚡ | 3P + ⚡ | 3P+N + ⚡ | 2P + ⚡ | 3P + ⚡ | 3P+N + ⚡ | |
| Protected by disconnect fuse carriers | | | | | | | | | | | | | |
| IP44 | 16 A | 82128 | 82129 | 82130 | 82131 | 82132 | 82133 | 82134 | 82135 | 82136 | - | 82137 | 82138 |
| | 32 A | 82139 | 82140 | 82141 | 82142 | 82143 | 82144 | 82145 | 82146 | 82147 | - | 82148 | 82149 |
| IP65 | 16 A | 82178 | 82179 | 82180 | 82181 | 82182 | 82183 | 82184 | 82185 | 82186 | - | 82187 | 82188 |
| | 32 A | 82189 | 82190 | 82191 | 82192 | 82193 | 82194 | 82195 | 82196 | 82197 | - | 82198 | 82199 |
| | 63 A | - | PKB63V514 | PKB63V515 | PKB63V523 | PKB63V524 | PKB63V525 | - | PKB63V534 | PKB63V535 | - | - | - |
| With DIN rail | | | | | | | | | | | | | |
| IP65 | 63 A | - | - | - | PKB63U523 | - | - | - | PKB63U534 | PKB63U535 | - | - | - |
| Without protection | | | | | | | | | | | | | |
| IP44 | 16 A | 82028 | 82029 | 82030 | 82031 | 82032 | 82033 | 82034 | 82035 | 82036 | - | 82037 | 82038 |
| | 32 A | 82039 | 82040 | 82041 | 82042 | 82043 | 82044 | 82045 | 82046 | 82047 | - | 82048 | 82049 |
| IP65 | 16 A | 82078 | 82079 | 82080 | 82081 | 82082 | 82083 | 82084 | 82085 | 82086 | - | 82087 | 82088 |
| | 32 A | 82089 | 82090 | 82091 | 82092 | 82093 | 82094 | 82095 | 82096 | 82097 | - | 82098 | 82099 |
| | 63 A | - | - | PKB63T515 | PKB63T523 | PKB63T524 | - | - | PKB63T534 | PKB63T535 | - | - | - |



82147



82197



82031



82041



PKB63T534



PKB63V534



PKB63U534

Sockets

PratiKa sockets

With interlock switch

Unika series / Wall-mounted version

Technical data

| | | Protected by disconnect fuse carriers | Without protection / DIN rail |
|--------------------------------------|--|--|---|
| | | Their technical, functional and aesthetic qualities make them particularly suitable for installation in the tertiary and industry sectors. | |
| Main characteristics | | The switch can be externally padlocked into position "0" and "1". | |
| Colour | | RAL 7035 | RAL 7035 |
| Degree of protection | According to IEC 60529 | IP44 and IP65 | IP44 and IP65 |
| | According to IEC 62262 | Against external mechanical impacts | IK09 |
| Materials | | Housing made of self-extinguishing polymer | Housing made of self-extinguishing polymer |
| | | External pins, pins and screws made of stainless steel | External pins, pins and screws made of stainless steel |
| Construction | According to IEC 60309-2-4 | IP44 and IP65 | IP44 and IP65 |
| Resistance to fire and abnormal heat | According to IEC 60695-2-11 | Glow wire test 750°C | 750°C |
| Operating voltage (400 V) | According to IEC 60947-3 | 16 A 32 A 63 A | 20 A (AC22) / 9.5 kW (AC23A) 32 A (AC22) / 16 kW (AC23A) 63 A (AC22) / 22 kW (AC23A) / 15.5 kW (AC23) |
| Fuse holder | Complying with IEC 60269 (non supplied with the product) | 16 - 32 A 63 A | For CH 10,3 x 38 type fuse - For NEOZED D02 type - |
| | The door to accede to the fuse holders can be: | Opened only with the switch in position "0" Equipped with key-lock (available as accessory) in its handle | - - |
| DIN rail version | DIN rail up to 4,5 modules | - | ■ DIN rail up to 4,5 modules |
| | The door to accede to the modular devices can be: | - | Opened only when the switch is on the "0" position Equipped with key-lock (available as accessory) in its handle |
| Wall-mounted version | | Cable entry (from the top) Complete with fair-lead for 25 mm Max. Diameter cables and conduits, and/or PG21 cable gland | Cable entry (from the top) |
| Connection terminals | | Screw head plugs fused not supplied Captive screws | Screw head plugs fused not supplied Captive screws |

Connection

| | Protected by disconnect fuse carriers | Without protection |
|--------------------|--|--------------------|
| Rating (In) | Maximum cross section of conductors | |
| 16 A, 32 A | 10 mm ² | 10 mm ² |
| 63 A | 35 mm ² | 35 mm ² |

Code of wall-mounted sockets Unika

| Rating | Rated voltage | | | | | | | | | | | |
|--|---------------|--------|----------|-------------|-----------|-----------|-------------|--------|-----------|-------------|--------|---------------------|
| | 100 - 130 V | | | 200 - 250 V | | | 380 - 415 V | | | 480 - 500 V | | |
| Poles and wires | 2P + ⚡ | 3P + ⚡ | 3P+N + ⚡ | 2P + ⚡ | 3P + ⚡ | 3P+N + ⚡ | 2P + ⚡ | 3P + ⚡ | 3P+N + ⚡ | 2P + ⚡ | 3P + ⚡ | 3P+N + ⚡ |
| Protected by disconnect fuse carriers | | | | | | | | | | | | |
| IP44 | 16 A | - | - | - | 83131 | - | - | - | 83135 | 83136 | - | - |
| | 32 A | - | - | - | 83142 | - | - | - | 83146 | 83147 | - | 83148 |
| IP65 | 16 A | - | - | - | 83181 | - | - | - | 83185 | 83186 | - | - |
| | 32 A | - | - | 83191 | 83192 | - | - | - | 83196 | 83197 | - | - |
| | 63 A | - | - | - | PKB63R523 | PKB63R524 | PKB63R525 | - | PKB63R534 | PKB63R535 | - | - |
| With DIN rail | | | | | | | | | | | | |
| IP65 | 63 A | - | - | - | PKB63Q523 | PKB63Q524 | PKB63Q525 | - | PKB63Q534 | PKB63Q535 | - | - |
| Without protection | | | | | | | | | | | | |
| IP44 | 16 A | - | - | - | 83031 | - | - | 83034 | 83035 | 83036 | - | - |
| | 32 A | 83039 | - | - | 83042 | - | - | 83045 | 83046 | 83047 | - | - |
| IP65 | 16 A | - | - | - | 83081 | - | - | - | 83085 | 83086 | - | - |
| | 32 A | - | - | - | 83092 | 83093 | - | - | 83096 | 83097 | - | 83098 |
| | 63 A | - | - | - | PKB63P523 | PKB63P524 | PKB63P525 | - | PKB63P534 | PKB63P535 | - | PKB63P544 PKB63P545 |

PG148026



83131

PG148030



83181

PG148016



83031

PB102330



PKB63P534

PB102332



PKB63R534

PB102331




PKB63Q534

PratiKa sockets

With interlock switch

Unika series / Panel-mounted and wall-mounted version

Technical data

| | | | |
|---|--|-------------------------------------|---|
| | | | Unika with safety transformer SELV  |
| | | | Units fitted with safety transformers, in conformity with IEC742 standards. |
| Main characteristics | | | <p>Their modular size enables them to be used with all the components of the PratiKa Unika series.</p> <p>They are used to power circuits with a voltage rating of 50 V maximum, to protect users against direct and indirect contacts, in conformity with IEC 60364 standards.</p> |
| Colour | | | RAL 7035 |
| Degree of protection | According to IEC 60529 | IP44 and IP65 | |
| | According to IEC 62262 | Against external mechanical impacts | IK09 |
| Materials | Housing made of self-extinguishing polymer Screws and springs made of stainless steel | | |
| Resistance to fire and abnormal heat | According to IEC 60695-2-11 | Glow wire test | 750°C |
| The unit is rated | According to IEC 61558-2-6 | | Class II |
| Rated power of safety transformer | 160 VA under continuous use | | |
| Operating voltage | 230: 24 V | | |
| Power supply switch on the primary controlled | By a special mechanism upon the insertion of the plug | | |
| Available as follows | Fitted with one very-low-voltage IEC 60309 socket, 24 V 2P Complete with fair-lead for 25 mm Max. Diameter cables and conduits, and/or PG21 cable gland Supplied with screw head cover | | |
| Connection terminals | Captive screws | | |
| Installation | Wall-mounted possible on wall box or enclosures | | |

Connection

| | | |
|--------------------|--|---|
| | | Unika with safety transformer SELV  |
| Rating (In) | Maximum cross section of conductors | |
| 160 VA | 6 mm ² | |

Code of panel-mounted Unika with safety transformer

| Rated power | Rated voltage | | Number and type of sockets | Code |
|--------------------|---------------|-------------|----------------------------|--------------|
| | Primary | Secondary | | |
| IP44 160 VA | 230 V | 24 V | 1 x 16 A | 82026 |
| IP65 160 VA | 230 V | 24 V | 1 x 16 A | 82076 |

PG148096



82026

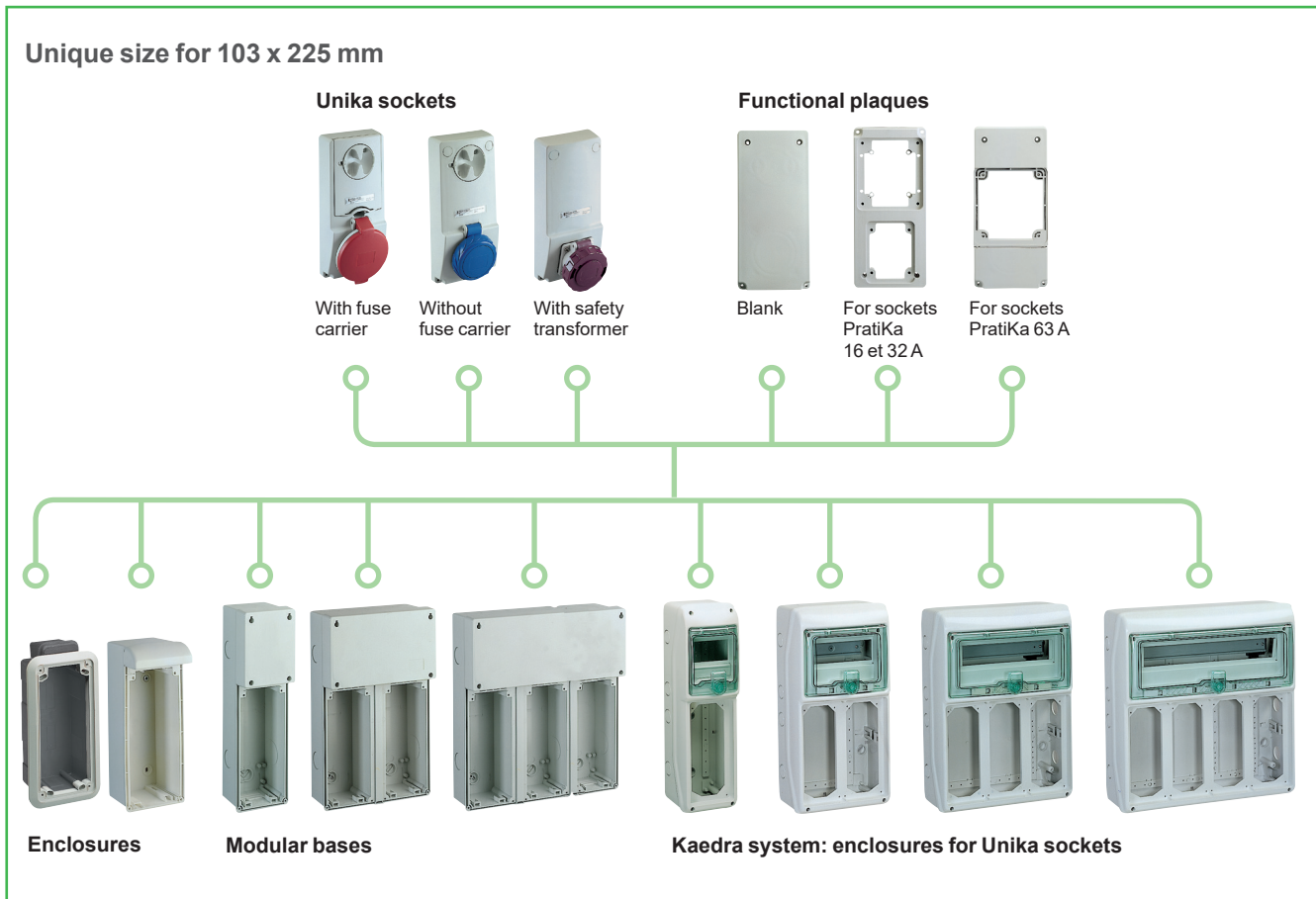
PG148096



82076

PratiKa sockets

With interlock switch
Unika series / Installation flexibility



Installation flexibility

The Unika sockets with interlock switch are suitable for wall and embedded mounting or panel mounting. The offer complains a complete range of enclosures for different installation ways: individual emplacement or combination in banks.

Its compact size permits to have panel boards with small overall dimensions.

The Unika sockets are equipped with the new five thread which enables a fast fixing on all enclosures.

PB102257



PB102258



PB102259



PB102260



PB102260



PratiKa sockets

With interlock switch

Unika series / Wall and embedded-box

Technical data

| | | Wall-mounting box | Embedded box |
|--------------------------------------|-----------------------------|---|--|
| | | These can be fitted either wall-mounted or wall-embedded or in the Unika series interlocked socket panels. | |
| Main characteristics | | They enable wall-mounted installation of sockets with interlock or sockets with safety transformers. On the upper part there is a section with a small cover intended for increased volumes of wiring. | They enable panel-mounted installation of sockets with interlock or sockets with safety transformers. |
| Colour | | RAL 7035 | RAL 7035 for frame/RAL 7016 for box |
| Degree of protection | According to IEC 60529 | IP65 | IP65 (After installation) |
| | According to IEC 62262 | Against external mechanical impacts IK09 | IK09 |
| Materials | | Housing made of self-extinguishing polymer Stainless steel screws | Housing made of self-extinguishing polymer Stainless steel screws |
| Complete insulation characteristics | According with EN 60439-1 | ■ | - |
| Resistance to fire and abnormal heat | According to IEC 60695-2-11 | Glow wire test 750°C | 750°C |
| Wall and embedded-box | | Cable entry from the top | - |
| | | Fair-lead for 25 mm max. diameter cables and conduits | - |
| | | Version with knockout holes M32 mm diam. for association | - |
| | | Supplied with screw head covers | - |
| Dimensions (L x H x P) | 16 - 32 A | 103 x 250 x 70 | 103 x 235 x 70 |
| | 63 A | 140 x 390 x 74 | - |

Code of wall-mounting box

| Degree of protection | Code |
|------------------------------------|--------|
| IP65 16 - 32 A With unmarked walls | 83919 |
| Walls with knock-outs | 83920 |
| 63 A | PKB002 |

Code of embedded box

| Degree of protection | Code |
|----------------------|-------|
| IP65 | 83924 |

PG148089



83919

PB102359



PKB002

PG148090



83924

PratiKa sockets

With interlock switch

Unika series / Modular bases

Technical data

| | | | Modular bases |
|--------------------------------------|--|-------------------------------------|---|
| | | | For wall-mounted fitting in combinations of one or more Unika series interlocked sockets and other PratiKa series sockets. |
| Main characteristics | | | They enable wall-mounted fitting of sockets with interlock or sockets with safety transformers. On the upper part there is a box incorporated designed for easy power feeding and wiring distribution. |
| Colour | | | RAL 7035 |
| Degree of protection | According to IEC 60529 | | IP65 (After installation) |
| | According to IEC 62262 | Against external mechanical impacts | IK09 |
| Materials | Housing made of self-extinguishing polymer Stainless steel screws | | |
| Complete insulation characteristics | According with EN 60439-1 | | ■ |
| Resistance to fire and abnormal heat | According to IEC 60695-2-11 | Glow wire test | 650°C |
| Modular bases | Cable entry from the top Fair-lead for 25 mm max. diameter cables and conduits Version with knockout holes M32 mm diam. for association Supplied with screw head covers | | |

Code of modular basis

| Degree of protection | Dimensions | | | Number of sockets | Code |
|----------------------|------------|-----|----|-------------------|-------|
| | H | W | D | | |
| IP65 | 350 | 105 | 70 | 1 | 83921 |
| | 350 | 210 | 70 | 2 | 83922 |
| | 350 | 315 | 70 | 3 | 83923 |

Code of auxiliary components for modular basis

| Description | Code |
|---|-------|
| Association kit M32 for modular basis and boxes with 2 nipples and nuts diam. 32 mm | 13934 |

Code of functional plaques

For closing the openings 103 x 225 of different Unika and Kaedra system enclosures

| Description | Code |
|--|-------|
| Blank plaques ■ Marked for fixing: <input type="checkbox"/> panel mounted straight PratiKa sockets for low and extra-low voltage with flange 65 x 65 mm or 75 x 75 mm <input type="checkbox"/> 1 or 2 devices diam. 22.2 mm. | 13143 |
| Plaques with 2 openings ■ 1 of 65 x 85 mm for direct fixing of angled PratiKa sockets 16 A 2P+⊥ and 3P+⊥ or domestic sockets ■ 1 of 90 x 100 mm for direct fixing of angled PratiKa sockets 16 A 4P+⊥ and 32 A | 13142 |
| Plaques with 1 opening ■ 107 x 114 mm for direct fixing of angled or straight PratiKa sockets 63 A | 13144 |

PG148091



83921

PG148092



83922

PG148093



83923

13143



13143

1314



13142

17144



13144

PratiKa sockets

With interlock switch

Isoblock series / Wall-mounted version

Technical data

| | | Protected by fuse carriers | |
|--|-----------------------------|--|--|
| | | Thanks to their high performances they are intended for installation in environments where there are aggressive chemical agents, oils and grease, and frequent jets of water or accidental shocks. | |
| Main characteristics | | They ensure the control and local isolating of parts of the plant or utilities so as to enable intervention on electrical circuits or machines in total safety. | |
| Colour | | RAL 7035 | |
| Degree of protection | According to IEC 60529 | IP65 | |
| | According to IEC 62262 | Against external mechanical impacts | IK10 |
| Materials | | Housing made of self-extinguishing polymer Screws, pins and springs made of stainless steel | |
| Construction | According to IEC 60309-2-4 | IP65 | |
| Resistance to fire and abnormal heat | According to IEC 60695-2-11 | Glow wire test 850°C | |
| Operating voltage (400 V) | Rated current | 16 A | 20 A (AC22) / 9.5 kW (AC23A) IEC 60947-3 |
| | | 32 A | 32 A (AC22) / 16 kW (AC23A) IEC 60947-3 |
| | | 63 A | 63 A (AC22) / 30 kW (AC23A) IEC 60947-3 |
| The switch can be externally padlocked into position | | "0" and "1" | |
| Disconnect fuse carriers | Complying with IEC 60269 | 16 - 32 A | For CH 10.3 x 38 |
| | | 63 A | For NEOZED D02 type fuses |
| Access lid to fuse carriers can be opened | | Only with the switch in position "0" | |
| Fuses not supplied | | ■ | |
| Wall-mounted version | | Cable entry from the top Complete with fair-lead for 25 mm Max. Diameter cables and conduits, and/or: ■ PG21 cable gland for 16 A and 32 A ■ PG29 for 63 A | |
| Connection terminals | | Captive screw | |

Connection

| | | Protected by fuse carriers | |
|---------------|--|--|--|
| Rating | | Maximum cross section of conductors | |
| 16 A and 32 A | | 10 mm ² | |
| 63 A | | 35 mm ² | |

Code of Isoblock sockets

| Rating | Type | Rated voltage | | | | | | | | | | | |
|--|--------|---------------|--------|----------|-------------|--------|----------|-------------|--------|----------|-------------|--------|----------|
| | | 100 - 130 V | | | 200 - 250 V | | | 380 - 415 V | | | 480 - 500 V | | |
| Poles and wires | | 2P + ⚡ | 3P + ⚡ | 3P+N + ⚡ | 2P + ⚡ | 3P + ⚡ | 3P+N + ⚡ | 2P + ⚡ | 3P + ⚡ | 3P+N + ⚡ | 2P + ⚡ | 3P + ⚡ | 3P+N + ⚡ |
| With fuse carriers 10.3 x 38 mm | | | | | | | | | | | | | |
| IP65 16 A | B16 | - | - | - | 83454 | - | - | - | 83458 | 83459 | - | - | - |
| | 32 A | B16 | - | - | 83466 | - | - | - | 83470 | 83471 | - | - | - |
| With fuse carriers E33 | | | | | | | | | | | | | |
| IP65 63 A | B32/63 | - | - | - | - | 82879 | - | - | 82882 | 82883 | - | - | - |



83454



83471



82883

PratiKa sockets


With interlock switch

Isoblock series / Wall-mounted version

Technical data

| | | With DIN rail |
|--|-----------------------------|--|
| | | Thanks to their high performances they are intended for installation in environments where there are aggressive chemical agents, oils and grease, and frequent jets of water or accidental shocks. |
| Main characteristics | | They have a DIN rail for modular protection devices. |
| Colour | | RAL 7035 |
| Degree of protection | According to IEC 60529 | IP65 |
| | According to IEC 62262 | Against external mechanical impacts |
| Materials | | Housing made of self-extinguishing polymer Screws, pins and springs made of stainless steel |
| Construction | According to IEC 60309-2-4 | IP65 |
| Resistance to fire and abnormal heat | According to IEC 60695-2-11 | Glow wire test 850°C |
| The unit is rated | According to IEC 60558-2-6 | - |
| Operating voltage (400 V) | Rated current | 16 A |
| | (according to IEC 60947-3) | 32 A |
| | | 63 A |
| Operating voltage | 160 VA | - |
| Rated power of safety transformer | | - |
| Transformer protected against short-circuit | | - |
| Power supply switch on the primary controlled | | - |
| The switch can be externally padlocked into position | | "0" and "1" |
| Access lid to fuse carriers can be opened | | Only with the switch in position "0" |
| Compartment for modular devices fitted with symmetrical DIN rail | 16 A and 32 A | With opening of 4.5 modules (18 mm) |
| | 32 A and 63 A | With opening of 6 modules (18 mm) |
| Fitted with one or two very-low voltage sockets | | - |
| Wall-mounted version | | Cable entry from the top Complete with fair-lead for 25 mm Max. Diameter cables and conduits, and/or: ■ PG21 cable gland for 16 A and 32 A ■ PG29 for 63 A |
| Connection terminals | | Captive screw |

Connection

| | With DIN rail | With safety transformer SELV  |
|---------------|--|--|
| Rating | Maximum cross section of conductors | |
| 16 A and 32 A | 10 mm ² | - |
| 63 A | 35 mm ² | - |
| 160 VA | - | 6 mm ² |

Code of Isoblock sockets

| Rating | Type | Rated voltage | | | | | | | | | | | | |
|------------------------------------|------|----------------|----------------|------------------|----------------|----------------|------------------|----------------|----------------|------------------|----------------|----------------|------------------|---|
| | | 100 - 130 V | | | 200 - 250 V | | | 380 - 415 V | | | 480 - 500 V | | | |
| Poles and wires | | 2P + \ominus | 3P + \ominus | 3P+N + \ominus | 2P + \ominus | 3P + \ominus | 3P+N + \ominus | 2P + \ominus | 3P + \ominus | 3P+N + \ominus | 2P + \ominus | 3P + \ominus | 3P+N + \ominus | |
| With DIN rail - 4.5 modules | | | | | | | | | | | | | | |
| IP65 | 16 A | B16 | - | - | - | 82754 | - | - | - | 82758 | 82759 | - | - | - |
| | 32 A | B16 | - | - | - | 83791 | - | - | - | 83795 | 83796 | - | - | - |
| With DIN rail - 6 modules | | | | | | | | | | | | | | |
| IP65 | 32 A | B32/63 | - | - | - | 82766 | - | - | - | 82770 | 82771 | - | - | - |
| | 63 A | B32/63 | - | - | - | - | - | - | - | 82782 | 82783 | - | - | - |



PratiKa sockets

With interlock switch

Isoblock series / Modular panels

Technical data

| | | Modular panels |
|--------------------------------------|-----------------------------|---|
| | | For the installation of Isoblock series interlocked sockets in environments where there are aggressive chemical agents, oils and grease, frequent, heavy jets of water or accidental shocks |
| Main characteristics | | These enable wall-mounted fitting of sockets with interlock or safety transformers and are available in two versions: ■ version with integrated box designed to enable power feeding and wiring distribution |
| Colour | | RAL 7035 |
| Degree of protection | According to IEC 60529 | IP65 |
| | According to IEC 62262 | Against external mechanical impacts IK10 |
| Materials | | Housing made of self-extinguishing polymer Screws made of stainless steel Walls with knock our loch for cable entry from the top and for association |
| Complete insulation characteristics | According with EN 60439-1 | <input type="checkbox"/> ■ |
| Construction | According to IEC 60670-1 | IP65 |
| Resistance to fire and abnormal heat | According to IEC 60695-2-11 | Glow wire test 850°C |

Code for modular panels with junction boxes

| Type | Dimensions | | | Number of sockets | Code |
|---------------|------------|-----|----------|-------------------|--------------|
| | H | W | D | | |
| B16 | 535 | 111 | 11 + 65 | 1 | 83925 |
| 2B16 | 535 | 222 | 17 + 100 | 2 | 83926 |
| B32/63 | 535 | 151 | 17 + 100 | 1 | 83927 |

PG148107



83925

PG148109



83927

PG148108



83926

PratiKa sockets

With interlock switch

Isoblock series / Sockets with circuit breaker and electrical interlock

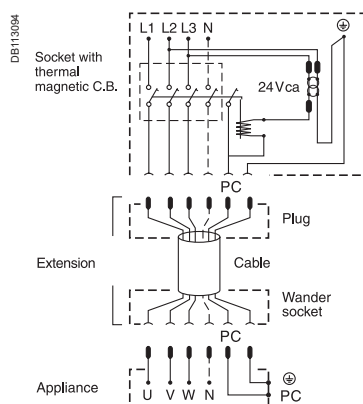
Technical data

| | | | Sockets with circuit breaker and electrical interlock |
|---|--|-------------------------------------|--|
| | | | These are characterized by a thermal-magnetic circuit breaker, with or without earth-fault protection which is activated only when the plug is fully inserted in the socket. If the plug is removed while under load, the circuit breaker will trip automatically. |
| Main characteristics | | | |
| Colour | | | RAL 7035 |
| Degree of protection | According to IEC 60529 | | IP65 |
| | According to IEC 62262 | Against external mechanical impacts | IK08 |
| Materials | Housing made of self-extinguishing polymer Screw made of thermoplastic material | | |
| Resistance to fire and abnormal heat | According to IEC 60695-2-11 | Glow wire test | 960°C |
| Moulded case automatic thermal-magnetic circuit breaker | | | With or without differential relay |
| Rotary switch which can be externally padlocked into position | | | "0" and "1" |
| Reset of the switch | | | From the outside when triggered |
| Socket fitted with pilot contact | | | For controlling the 24 V electrical interlock |
| Earth fault protection | Sensitivity (I Δ n) | | Adjustable 0.03 - 0.3 - 1 - 3 - 10 A |
| | Time delay | | Adjustable 0 - 60 - 150 - 310 ms |
| Red warning light | | | Signal tripping of earth fault protection |
| Connection terminals | | | Captive screw Cable entry from the top Complete with thickness flange and PG42 cable gland Terminal block guard at the circuit breaker entry |

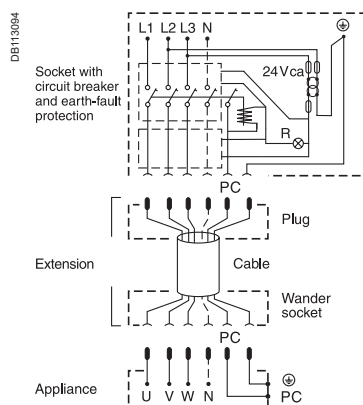
Connection

| | | Sockets with circuit breaker and electrical interlock |
|---------------|--|---|
| Rating | Maximum cross section of conductors | |
| 125 A | 95 mm ² | |

■ Scheme with thermal magnetic circuit breaker



■ Scheme with thermal magnetic circuit breaker and earth fault protection



Circuit breaker characteristics


| Rated current (In) | Tripping thresholds | | Ultimate breaking capacity (kA rms) | | |
|--------------------|--------------------------|---------------|-------------------------------------|----------|------|
| | Thermal (tr) | Magnetic (tm) | 220/240V | 380/415V | 500V |
| 125 A | Adjustable 0.8... 1 x In | 1250 A | 85 | 36 | 30 |

Code for interlocked socket


With thermal-magnetic circuit breaker

| Rating | | |
|-----------------|---------------------|-----------------------|
| | 380 - 415 V | |
| Poles and wires | 3P + $\frac{N}{PE}$ | 3P+N + $\frac{PE}{N}$ |
| IP65 125 A | 82494 | 82495 |

PratiKa plugs 32 A for containers

| Rated current | Poles and wires | Freq. | Rated voltage | Clock position of contact | Wander plugs FAST connect  | Wander plugs SCREW connect |
|--------------------------|-----------------|-------|----------------|---------------------------|--|-----------------------------------|
| | | Hz | | | IP67 | IP67 |
| 32 A | 3P + \perp | 50/60 | 380 - 415 V AC | 3 h | PKX32M7C4 | PKE32M7C4 |
| Technical data, see page | | | | | 54 | |

PratiKa sockets 32 A for containers

| Rated current | Poles and wires | Freq. | Rated voltage | Clock position of contact | Wander sockets FAST connect  | Panel mounted sockets Angled  |
|--------------------------|-----------------|-------|----------------|---------------------------|--|---|
| | | Hz | | | IP67 | IP67 |
| 32 A | 3P + \perp | 50/60 | 380 - 415 V AC | 3 h | PKY32M7C4 | PKY32F7C4 |
| Technical data, see page | | | | | 54 | |

Interlocked Unika

| Rated current | Poles and wires | Freq. | Rated voltage | Clock position of contact | Wall mounted sockets With fuse carriers |
|--------------------------|-----------------|-------|----------------|---------------------------|--|
| | | Hz | | | IP65 |
| 32 A | 3P + \perp | 50/60 | 400 - 440 V AC | 3 h | 83299 |
| Technical data, see page | | | | | 54 |



Wall-mounted plugs with back box

SCREW connect

IP67
81599
54



Panel-mounted plugs

SCREW connect

IP67
83899



Wander sockets

SCREW connect

IP67
PKF32M7C4
54



Panel mounted sockets

Angled
SCREW connect

IP67
PKF32F7C4



Straigh
SCREW connect

PKF32G7C4



Wall-mounted sockets

SCREW connect

IP67
PKF32W7C4



With back box
SCREW connect

IP67
81199



Plugs and sockets for containers

PratiKa plugs and sockets

Low voltage Solution for container

The PratiKa plugs and sockets for containers are designed to power refrigerated containers in ports, railway stations, airports, as well as on board container-ships.

The IP67 protection, use of nickel-plated contacts, stainless steel screws, pins and springs and high performance plastic materials, combine in ensuring maximum protection and guaranteed functioning also in highly aggressive and corrosive environments.

The solution for safe connections worldwide

In accordance with standards, these plugs and sockets are available in the following versions:


- 32 A - 3P+E,
- voltage rating 400 - 440 V,
- clock-position 3 hours,
- degree of protection IP67.

Functions

They are designed for supplying low-voltage power to loads or equipment fitted with domestic or similar plugs.

- PratiKa wander plugs.
- PratiKa wander plugs angled 90°.
- PratiKa wall mounted plugs.
- PratiKa panel-mounted plugs.
- PratiKa wander sockets.
- PratiKa small wall-mounted sockets.
- PratiKa wall-mounted sockets.
- PratiKa panel-mounted angled sockets.
- PratiKa panel-mounted straight sockets.
- Interlocked sockets Unika.
- Interlocked sockets Unika with fuse protection.
- Interlocked sockets Isoblock with DIN rail.

Technical data

| | | SCREW connection |
|--------------------------------------|-----------------------------|--|
| | |  |
| Main characteristics | | |
| Degree of protection | According to IEC 60529 | IP67 (IP65 for interlocked sockets) |
| | According to IEC 62262 | Against external mechanical impacts |
| Materials | | Housing made of self-extinguishing polymer Pins made of nickel-plated brass Stainless steel screws Springs and pins made of stainless steel |
| Resistance to fire and abnormal heat | According to IEC 60695-2-11 | 850°C (750°C for Unika) |
| Connection terminals | | Captive screws, completely loosened |

Connection

| | | SCREW connection | |
|--------|--|------------------|---|
| Rating | | Cable entry | Maximum cross section of conductors |
| (In) | | IP67 Cable gland | IP67 Cable clamp |
| | | PG21 PratiKa | 11.5 - 21 mm PratiKa |
| 32 A | | | Stranded wire flexible cables Flexible 2.5 to 10 mm ² for panel and wall versions 2.5 to 6 mm ² for wander versions 2.5 to 10 mm ² for interlocked versions |

Plugs and sockets for containers

PratiKa plugs and sockets

Low voltage
Solution for container



PKX32M7C4

PKY32M7C4



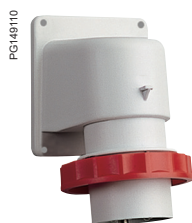
PKF32W7C4



81599



81199



83899



PKY32F7C4



83399

Code of wander IP67

| Rating | Rated voltage | Clock position | Frequency |
|-------------------|----------------|----------------|-----------|
| | 400 - 440 V AC | H | Hz |
| Poles | 3P + \neq | | |
| Plugs | | | |
| 32 A PratiKa FAST | PKX32M7C4 | 3 | 50-60 |
| PratiKa SCREW | PKE32M7C4 | 3 | 50-60 |
| Sockets | | | |
| 32 A PratiKa FAST | PKY32M7C4 | 3 | 50-60 |
| PratiKa SCREW | PKF32M7C4 | 3 | 50-60 |

Code of small wall-mounted IP67

| Rating | Rated voltage | Clock position | Frequency |
|----------------|----------------|----------------|-----------|
| | 400 - 440 V AC | H | Hz |
| Poles | 3P + \neq | | |
| Sockets | | | |
| 32 A | PKF32W7C4 | 3 | 50-60 |

Code of wall mounted IP67

| Rating | Rated voltage | Clock position | Frequency |
|----------------|----------------|----------------|-----------|
| | 400 - 440 V AC | H | Hz |
| Poles | 3P + \neq | | |
| Plugs | | | |
| 32 A | 81599 | 3 | 50-60 |
| Sockets | | | |
| 32 A | 81199 | 3 | 50-60 |

Code of panel-mounted IP67

| Rating | Rated voltage | Clock position | Frequency |
|-------------------------|----------------|----------------|-----------|
| | 400 - 440 V AC | H | Hz |
| Poles | 3P + \neq | | |
| Plugs | | | |
| 32 A | 83899 | 3 | 50-60 |
| Caps for plugs | 83936 | | |
| Angled sockets | | | |
| 32 A PratiKa FAST | PKY32F7C4 | 3 | 50-60 |
| PratiKa SCREW | PKF32F7C4 | | |
| Straight sockets | | | |
| 32 A PratiKa FAST | - | 3 | 50-60 |
| PratiKa SCREW | PKF32G7C4 | | |

Interlocked Unika IP65 - wall mounted

| Rating | Rated voltage | Clock position | Frequency |
|-----------------------------------|----------------|----------------|-----------|
| | 400 - 440 V AC | H | Hz |
| Poles | 3P + \neq | | |
| Sockets | | | |
| 32 A | 83299 | 3 | 50-60 |
| Sockets with fuse carriers | | | |
| 32 A | 83399 | 3 | 50-60 |

Interlocked Isoblock IP65 - 4.5 mod.

| Rating | Rated voltage | Clock position | Frequency |
|------------------------------|----------------|----------------|-----------|
| | 400 - 440 V AC | H | Hz |
| Poles | 3P + \neq | | |
| Sockets with rail DIN | | | |
| 32 A | - | 3 | 50-60 |

Direct mounting



Domestic socket 65 x 85



Domestic socket



LV socket 16 A 3-4P



LV socket 16 A 5P 32 A 3-4-5P



Mini enclosures



Enclosures for sockets



Enclosures for modular device with interface and interface



Enclosure for socket with interlock switch

Indirect mounting

These products can be mounted on Kaedra trough the use of plaques

Plaques



Domestic socket 50 x 50



Buttons, indicators light

Plaques



ELV socket



Buttons, indicators light



Buttons, indicators light

Plaques



Domestic socket



LV socket 16 A 3-4P



ELV socket



Domestic socket 50 x 50



16 A 5P 32 A 3-4-5P socket

Plaques



Domestic socket



LV socket 16 A 3-4P



ELV socket



Domestic socket 50 x 50



16 A 5P 32 A 3-4-5P socket



Buttons, indicators light



63 ALV socket



All Kaedra enclosures for sockets are delivered with an intermediate plaque (13136) already mounted on each opening, remove it before mounting a 16 A 5P or 32 A 3-4-5P socket.

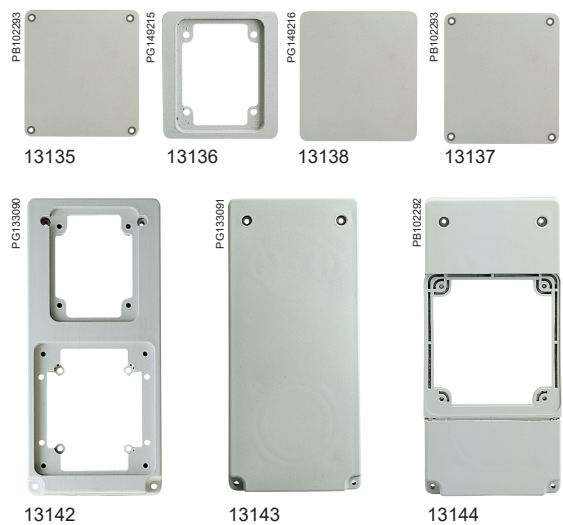
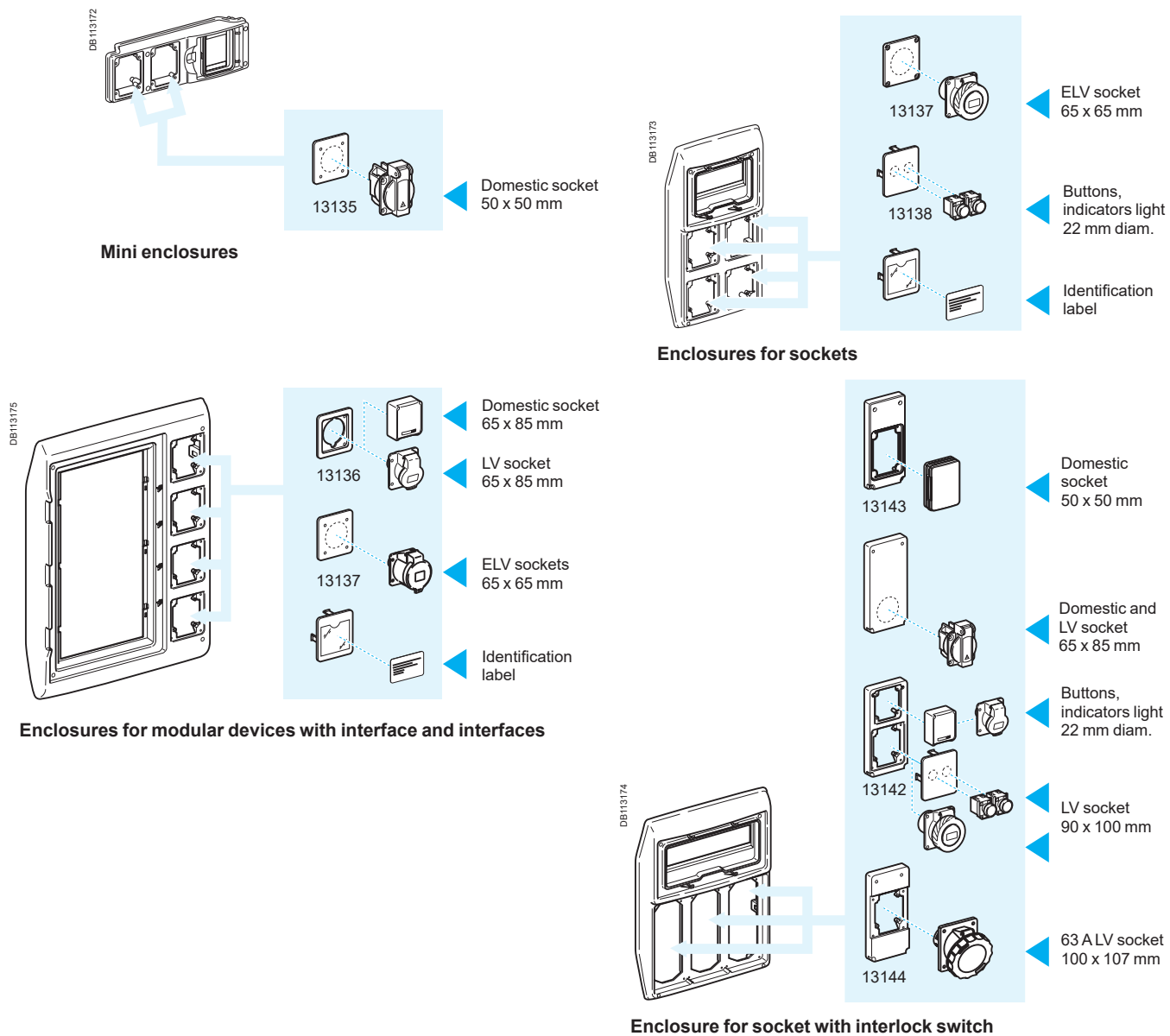
Kaedra for modular device with interface have the plaque 13138 already mounted on each opening.

The standard openings

All enclosures for sockets and enclosures for interface have different openings for functional plaques. There are three standard dimensions:

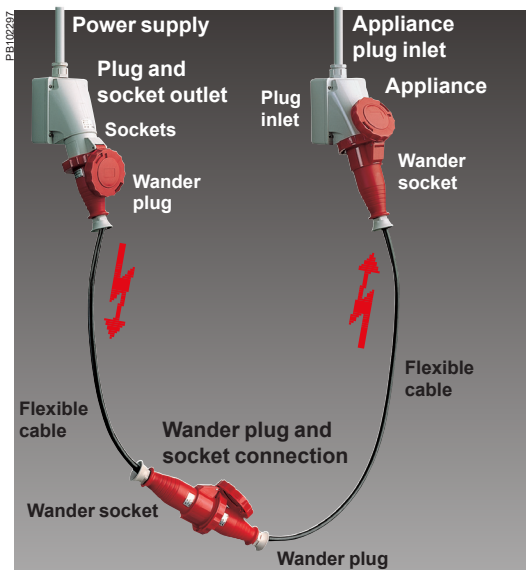
- 65 x 85 mm, for direct fixing of PratiKa angled sockets of 16 A 2P+E and 3P+E or of domestic sockets
- 90 x 100 mm, for direct fixing of PratiKa in the enclosures for sockets, these opening are normally delivered with intermediate plaques code 13136
- 103 x 225 mm, for direct fixing of Unika sockets with interlock switch and relative functional plaques.

Indirect mounting



Code for universal enclosures

| Denomination | Description | Code |
|--|-------------|--|
| Plaque for opening | | |
| Screw fixing | 65 x 85 | Blank - marked for 1 socket 50 x 50 |
| | 90 x 100 | Blank - marked for 1 socket 65 x 65 |
| Clip fixing | | Blank - marked for button (1 or 2 x diam. 22.2 - 4 x diam. 16) |
| | | Intermediate - with opening 65 x 85 |
| | | |
| Interface Kit for enclosures with interface | | |
| Clip fixing | 90 x 100 | For switch INS 63/80A |
| Plaque for opening | | |
| Screw fixing | 103 x 225 | Blank - marked for 1 socket 65 x 65 and for button (1 or 2 x diam. 22.2) |
| | | With 1 opening 65 x 85 and 1 opening 90 x 100 |
| | | With 1 opening 100 x 107 for plugs and sockets 63 A |

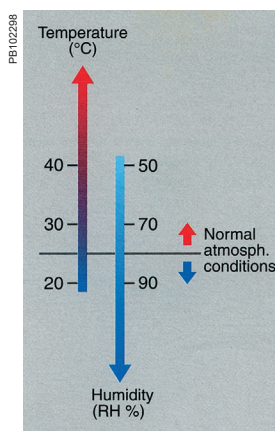


Wander plug and socket connection: device which permits the connection of two flexible cables: it comprises a wander socket and a plug.

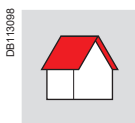
Wander plug: part which is securely connected, or designed to be connected, to a power supply flexible cable.

Appliance plug inlet: device which permits the connection of a flexible cable to an appliance: it comprises a wander socket a plug inlet.

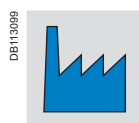
Plug inlet: incorporated part fixed, or designed to be fixed, to an appliance.



The normal pollution level is:
for domestic or similar devices: for industrial type applications:



Level 2



Level 3

The pollution level is a conventional number based on the amount of conductive or hygroscopic dust, ionised gas or salts, on the relative humidity and on the frequency which causes absorption or condensation of humidity, a phenomenon which involves a reduction of dielectric strength and/or surface resistivity. The pollution level referred to is the one occurring in the immediate vicinity to the air and surface between elements with different potential.

The products included in this catalogue can be used also in environments with particularly severe conditions. Contact us for any further information.

The catalogue includes a vast range of plugs and sockets designed mainly for industrial use, both indoor and outdoor, where the ambient temperature does not normally exceed 40°C. Thanks to the manufacturing characteristics and to the use of materials with superior performance and resistance to chemical and environmental agents, these devices are widely used also in building sites and in other sectors, like workshops, agriculture and offices. In the case of use in special environments, for example on ships, or in areas with explosion hazards, special characteristics can be required. In the case of use under severe conditions, it may be advisable to replace sockets with dirty and oxidated contacts, either periodically, or when the insertion or extraction force is considered too high.

Reference standards

The standards, from a point of view of dimensions and performance, for this family of products are defined at an international level and included in the European standards:

- IEC 60309-1
- IEC 60309-1-4
- EN 60309-1.

- Plugs and sockets for industrial use
- Part 1: General provisions.

- IEC 60309-2
- EN 60309-2.

- Plugs and sockets for industrial use
- Part 2: provisions of dimensional interchangeability for plugs and sockets with cylindrical pins and sleeves.

Definitions

The various applications of plugs and sockets include the following devices:

- **Plug and socket outlet:** device which permits the connection of a flexible cable to a power supply installation: it comprises a socket and a plug
- **Socket:** part which is to be installed in the power supply installation or incorporated in switchgear and controlgear
- **Plug:** part which is securely connected, or designed to be connected, to a flexible cable connected to an appliance or to a connector.

Operating conditions

The Standards IEC 60947-1, EN 60947-1, "Low-voltage switchgear and controlgear: general rules", define the normal operating conditions for electrical and electronic devices. Such standards are generally applicable to devices operating within the voltage limit of up to 1,000 V for alternated current or 1,500 V for direct current, unless otherwise required by the specific product standard.

Ambient temperature

- Maximum temperature: +40°C with average temperature during 24 hours not exceeding +35°C.
- Lower temperature limit: -25°C.

Altitude

Up to 2,000 m a.s.l.

Atmospheric conditions

Humidity

- Relative humidity not exceeding 50% with temperature of +40°C.
- A higher relative humidity is allowed with a lower temperature, for example, 90% with +20°C (see drawing).

Level of environmental pollution

The following levels of pollution are considered for electrical and electronic devices:

Level 1

There is no pollution or there may be dry non-conductive pollution;

Level 2

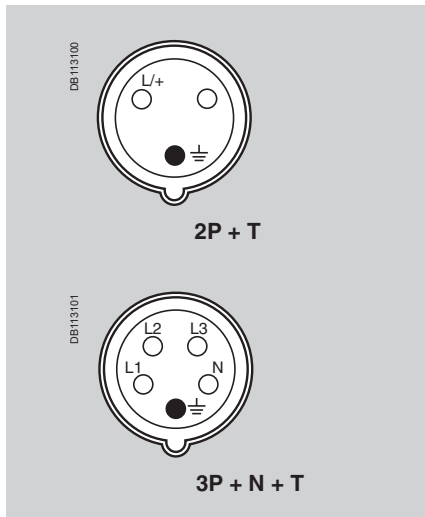
Normally the devices can be used in the presence of non-conductive polluting substances, occasionally there may be temporary conductivity caused by condensation.

Level 3

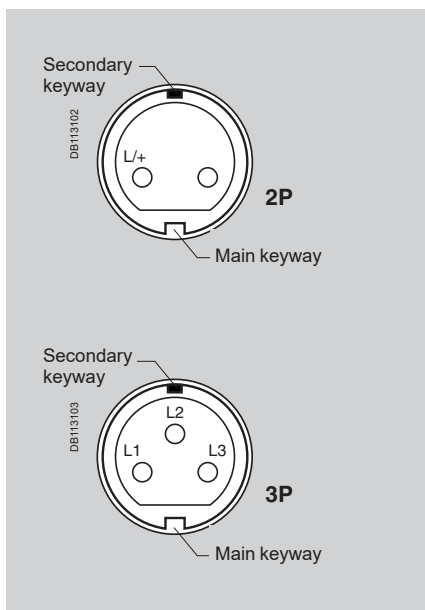
Presence of conductive pollution or dry non-conductive pollution, which become conductive with condensation.

Level 4

The pollution causes persistent and high conductivity, such pollution is caused for example by conductive dust, rain or snow.



Low voltage socket



Extra-low voltage socket

Principal provisions

The standards cover the use of plugs and sockets with either alternate current, frequency of up to 500 Hz, or direct current, divided into two main classes:

- extra-low voltage plugs and sockets, with operating voltage of up to 50 V
- low voltage plugs and sockets, with operating voltage of 50 V to 690 V.

The standards cover rated currents of 16 and 32 A with 2P and 3P configurations for extra-low voltage, and rated currents of 16, 32, 63 and 125 A with 2P+ \pm , 3P+ \pm and 3P+N+ \pm for low voltage.

There is a specific model for each use, with different rated characteristics of voltage, frequency, polarity and application, incorporating safety hindrances which make it impossible to insert any plug in a socket which is not the exact corresponding type. Non-interchangeability is ensured by compliance with the different standardised dimension tables which indicate different ground contact positions in relation to a standard fixed reference of the connection.

Low voltage versions > 50 V

In the low voltage versions non-interchangeability is ensured by means of two elements:

- a guide spline on the socket which matches with a corresponding nib on the plug
- a ground contact larger than the other contacts, in a different clock position according to the rated operating characteristics.

The clock position (h) of the ground contact is checked by observing, with the socket viewed from the front, the position of the ground contact in relation to the main keyway (guide spline), always positioned at 6 o'clock.

Extra-low voltage versions < 50 V

Also for these versions, with no ground contact, non-interchangeability is ensured by means of two reference elements:

- a guide spline on the plug which matches with a corresponding nib on the socket, always at a fixed 6 o'clock position
- a secondary keyway, also this a spline on the plug to which corresponds a nib on the socket, at different clock positions according to the operating characteristics.

The clock position (h) of the secondary keyway is checked by observing, with the socket viewed from the front, the position of the nib in relation to the main keyway, always positioned at 6 o'clock.

Coded colours

For easy identification of the operating voltage, the standard indicates conventional coded colours which may involve the entire device or only one part (e.g., lift cover, ring, etc.).

| Rated operating voltage | Colour ⁽¹⁾ |
|-------------------------|-----------------------|
| De 10 à 25 V | Violet |
| De 40 à 50 V | White |
| De 100 à 130 V | Yellow |
| De 200 à 250 V | Blue |
| De 380 à 480 V | Red |
| De 500 à 690 V | Black |

(1): for a frequency above 60 Hz and up to 500 Hz included, the green colour can be used, if necessary, in conjunction with the colour of the rated operating voltage.

Clock reference

The range comprises all versions covered by the standards, including the more specific ones. Although the catalogue covers only some standard models, it is possible to have all the different clock positions specified by the standard; the following are some of the positions for this range:

| Application | Clock position ground contact | |
|---|-------------------------------|------|
| Common use | h 6 | |
| Refrigerated containers | h 3 | |
| Marines, wharf and ship installations | h 11 | |
| Power supply through isol.transformer (TST) | h 12 | |
| Direct current | 50 to 250 V | h 3 |
| | Above 250 V | h 8 |
| High-frequency | 100 to 300 Hz | h 10 |
| | Above 300 to 500 Hz | h 2 |
| Special voltage | 100 to 130 V | h 4 |
| | 480 to 500 V | h 7 |
| | 600 to 690 V | h 5 |

Possible variations are indicated in the table at page 58.

The standard classifies and codifies a great number of external influences to which an electrical system may be subjected: presence of water, solid objects, risk of impacts, vibrations, presence of corrosive substances, etc.

These situations can affect electrical components with a variable intensity depending on the characteristics of the system: presence of water, for example, can be either some drops of water falling or total immersion.

IP code

The standard IEC 60529 (EN 60529) indicates, by means of the IP code, the degree of protection for electrical devices against access to energised parts and against the entry of water and of foreign solid objects.

This standard does not consider the protection against the risk of explosion or environmental situations like humidity, corrosive vapours, moulds or insects.

The IP code is composed of 2 characteristic digits and can be expanded by an additional letter if the protection of people against access to energised parts is greater than the one indicated by the first digit.

Another supplementary letter indicates additional information on the protection of material.

The table below indicates the classification criteria of the IP code.

Degree of protection IP in accordance to IEC 60529

1st characteristic digit: protection against the entry of foreign objects and against access to dangerous parts.

| Meaning | 0 | 1 | 2 | 3 | 4 | 5 | 6 |
|--|---|--|--|---|---|--------------------------------------|--|
| Protection of the enclosure against the entry of | | Solid objects with dimensions greater than 50 mm | Solid objects with dimensions greater than 12.5 mm | Solid objects with dimensions greater than 2.5 mm | Solid objects with dimensions greater than 1 mm | Harmful amount of dust Talcum powder | Dust (totally protected) Talcum powder |

2nd characteristic digit: protection against the infiltration of water

| Meaning | 0 | 1 | 2 | 3 | 4 | 5 | 6 | 7 | 8 | 9 |
|---|---|--------------------------------|---|------|-------------------|---------------|----------------------|---------------------|----------------------|---|
| Protection of the enclosure against the harmful effect of | | Water drops falling vertically | Water drops falling vertically with an angle of 15° from vertical | Rain | Splashes of water | Jets of water | Strong jets of water | Temporary immersion | Continuous immersion | Protected against close-range high pressure, high temperature spray downs |

Optional letters

The additional letter is used only if the actual protection of persons is higher than that indicated by the first characteristics numeral of the IP code.

If only the protection of persons is of interest, the two characteristics numerals are replaced by the letter "X", e.g. IPXXB.

| Additional letter | Protection |
|-------------------|---|
| A | Protection of person against access with back of hand |
| B | Protection of person against access with finger |
| C | Protection of person against access with tool |
| D | Protection of person against access with wire |

If only the protection of persons is of interest, the two characteristics numerals are replaced by the letter "X", e.g. IPXXB.

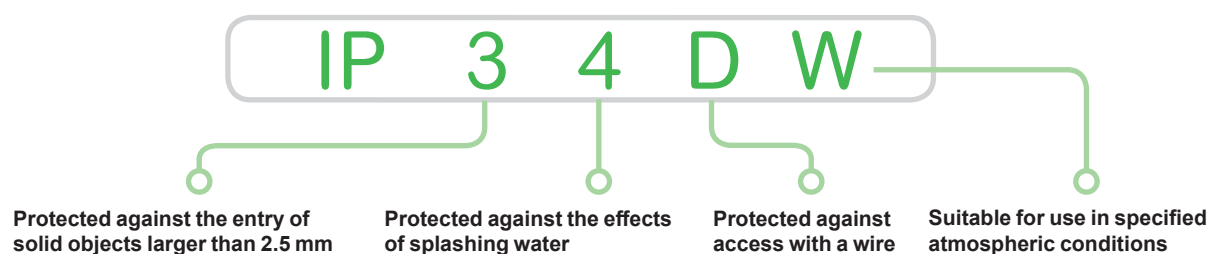
| Supplementary letter* | Protection |
|-----------------------|---|
| H | High voltage devices |
| M | Tested against the harmful effects of water infiltration when the mobile parts of the device are moving |
| S | Tested against the harmful effects of water infiltration when the mobile parts of the device are not moving |
| W | Suitable for use in specified atmospheric conditions and provided with additional measures and procedures |

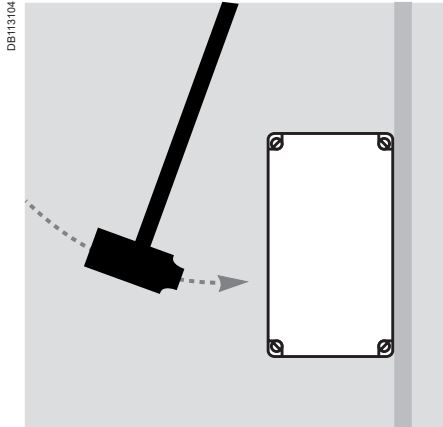
(*) For the protection of material.

Used only if:

- the effective protection against access to dangerous parts is greater than the one indicated by the first characteristic digit
- only the protection against access to dangerous parts is indicated and the first characteristic digit is then replaced by an X.

Example of full application of the IP code





Degree of protection against mechanical impacts IK

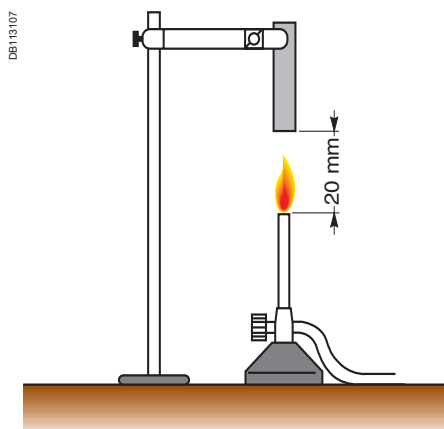
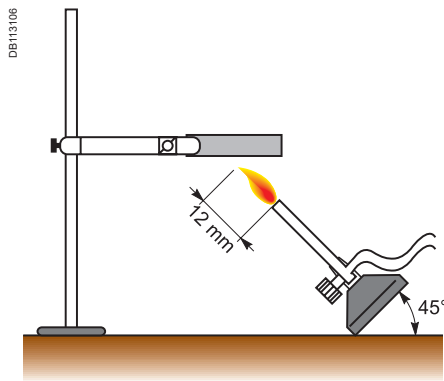
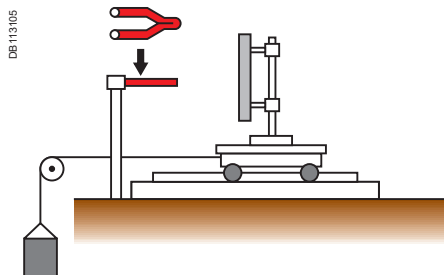
The standard IEC 62262 defines the degree of protection against mechanical impacts indicated with the letters IK, followed by a number. The following table indicates the impact values in joules corresponding to each code.

Degree of protection against mechanical impacts IK in accordance with standard IEC 62262

| IK code | Impact energy |
|---------|---------------|
| 00 | Not protected |
| 01 | 0.15 Joule |
| 02 | 0.2 Joule |
| 03 | 0.35 Joule |
| 04 | 0.5 Joule |
| 05 | 0.7 Joule |
| 06 | 1 Joule |
| 07 | 2 Joule |
| 08 | 5 Joule |
| 09 | 10 Joule |
| 10 | 20 Joule |

Self-extinguishing characteristics and behaviour to abnormal heat and to fire

The assessment index for the behaviour to fire of components made of organic material is defined by the different product standards and generally refer to three different test methods.



| Aim of the tests | Tests results | Tests conditions |
|--|--|--|
| Glow-wire test in accordance with IEC 60695-2-11 | | |
| <p>Simulate the thermal stress which may be produced by heat or ignition sources (incandescent elements or overloaded resistors for short periods) to be able to assess the danger of starting a fire.</p> | <p>Any flame must stop within 30 sec after removing the incandescent wire.</p> <ul style="list-style-type: none"> ■ Test temperatures <ul style="list-style-type: none"> □ 650°C □ 750°C □ 850°C □ 960°C ■ Falling burning drops do not set fire to the tissue paper. | <p>Heat sources 4 mm diameter incandescent wire</p> <p>Duration of the test Wire applied for 30 sec.</p> <p>Characteristic elements Extinguishing time of the flame</p> |
| Flame with needle test in accordance with IEC 60695-2-12 | | |
| <p>Simulate the effect of small flames which may occur in a malfunction condition within the products with the aim of judge the risk of fire.</p> | <ul style="list-style-type: none"> ■ The sample does not catch fire ■ The flame and the incandescent particles do not propagate fire ■ The duration of combustion is less than 30 sec after removing the Bunsen burner | <p>Heat sources Flame from a Bunsen burner</p> <p>Duration of the test Flame applied for 5, 10, 20, 30, 60, 120 sec according to the specific standard</p> <p>Characteristic elements The degree of severity: flame application time (AT)</p> |
| UL method - Underwriters Laboratories in accordance with UL 94 | | |
| <p>Supply a classification of the various behaviours which the materials may after contact with the flame from a Bunsen burner</p> | <ul style="list-style-type: none"> ■ V0 if the specimen burns on average for less than 5 sec before self-extinguishing ■ V1 if it burns on average for less than 25 sec. ■ V2 if it burns for less than 25 sec with incandescent drips ■ HB if it burns for more than 25 sec (specimen horizontal and combustion velocity less than 38 mm/min) <p>Assimilated to ASTM D-635</p> | <p>Heat sources Flame from a Bunsen burner</p> <p>Duration of the test Flame applied for 10 sec twice in a row</p> <p>Characteristic elements Duration of combustion</p> |







Behaviour to chemical agents

The indications stated below are applicable to the conditions where the ambient temperature does not exceed 40 °C and the mechanical stress is not so concentrated as to cause permanent surface deformations.

The engineering polymers used for our products ensure optimum behaviour of the finished products to chemical and atmospheric agents.

Should such products be used in environments with a particularly high concentration of acids, bases, oils, it will be advisable to contact our Technical Department for a better solution to the problem.

In any case, the series of products highlighted with blue are suitable for use in particularly aggressive environments, characterised by strong concentration of oils, bases and acids.

| Product series | ACIDS | | BASES | | SOLVENTS | | | OIL | | | | FUEL | | | | | | | | |
|--|------------------|-----------------|-------|---------|----------|---------|--------|---------|---------|----------------------|----------|---------|------------|------------|------------------|-------------------------|------------------|---------|--------|---------|
| | H ₂ O | Saline solution | Conc. | Diluted | Conc. | Diluted | Hexane | Benzene | Acetone | Absol. ethyl alcohol | Silicone | Mineral | Veget. oil | Animal fat | Synthetic grease | Animal organic solution | Unleaded premium | Premium | Diesel | Ammonia |
|  PratiKa low and extra-low voltage Plugs and sockets | R | R | RL | R | RL | R | R | RL | RL | R | R | R | R | R | R | R | RL | RL | R | R |
|  Domestic sockets | R | R | RL | R | RL | R | R | RL | RL | R | R | R | R | R | R | R | RL | RL | R | R |
|  Schuko sockets | R | RL | RL | R | RL | R | R | NR | NR | R | R | NR | NR | NR | NR | NR | NR | NR | NR | NR |
|  PratiKa Unika Sockets with interlock switch | R | R | NR | R | RL | R | NR | NR | NR | NR | R | RL | RL | NR | RL | RL | NR | NR | NR | RL |
|  Modular bases | R | R | NR | R | RL | R | NR | NR | NR | NR | R | RL | RL | NR | RL | RL | NR | NR | NR | RL |
|  PratiKa Isoblock Sockets with interlock switch | R | R | RL | R | RL | R | R | RL | RL | R | R | R | R | R | R | R | RL | RL | R | R |
|  Modular panels | R | R | RL | R | RL | R | R | RL | RL | R | R | R | R | R | R | R | RL | RL | R | R |
|  Junction boxes | R | NR | RL | R | RL | R | R | NR | NR | R | R | RL | RL | NR | NR | RL | NR | NR | NR | NR |
|  Kaedra system Enclosures | R | R | RL | R | RL | R | NR | NR | NR | R | R | RL | RL | NR | RL | NR | NR | NR | NR | RL |

Legend: ● R Resistant ● RL Limited resistance ● NR Not resistant

Summary table of identification and interchangeability

Summary table of identification and interchangeability for industrial-type plugs and sockets included in the different systems covered by the IEC 60309-2 and IEC 60309-4 standards

LOW VOLTAGE - above 50 V up to 690 V

| 2P+⊕ | | | | 3P+⊕ | | | | 3P+N+⊕ | | | | | | | | |
|------------------|---------------------------------|--|--------------|------|------------------|---------------------------------|--|--------------|--|------------------|---|--|--------------|-----|-----|--|
| FREQ. (Hz) | RATED VOLTAGE Un (V) | SOCKET'S FRONT VIEW OF EARTH CONTACT POSITION ⁽¹⁾ | | | FREQ. (Hz) | RATED VOLTAGE Un (V) | SOCKET'S FRONT VIEW OF EARTH CONTACT POSITION ⁽¹⁾ | | | FREQ. (Hz) | RATED VOLTAGE Un (V) | SOCKET'S FRONT VIEW OF EARTH CONTACT POSITION ⁽¹⁾ | | | | |
| | | 16 and 32 A | 63 and 125 A | | | | 16 and 32 A | 63 and 125 A | | | | 16 and 32 A | 63 and 125 A | | | |
| 50 and 60 | 100-130 | 4 h | 4 h | | | 100-130 | 4 h | 4 h | | | 57/100-75/130 | 4 h | 4 h | | | |
| | 200-250 | 6 h | 6 h | | | 200-250 | 9 h | 9 h | | | 120/208-144/250 | 9 h | 9 h | | | |
| 60 | 277 | 5 h | 5 h | | 50 and 60 | 380-415 | 6 h | 6 h | | 50 and 60 | 200/346-240-415 | 6 h | 6 h | | | |
| 50 and 60 | 380-415 | 9 h | 9 h | | | 480-500 | 7 h | 7 h | | | 277/480-288/500 | 7 h | 7 h | | | |
| | 480-500 | 7 h | 7 h | | | 600-690 | 5 h | 5 h | | | 347/600-400/690 | 5 h | 5 h | | | |
| | Supply by isolating transformer | 12 h | 12 h | | | Supply by isolating transformer | 12 h | 12 h | | | | | | | | |
| 100-300 included | More than 50 | - | - | | 60 | 440-460 ⁽²⁾ | 11 h | 11 h | | 60 | 250/440-265/460 | 11 h | 11 h | | | |
| 301-500 included | More than 50 | 2 h | - | | 50 60 | 380-440 ⁽⁴⁾ | 3 h | - | | 50 60 | 220/380-250/440 ⁽⁴⁾ | 3 h | - | | | |
| DC | 50-250 included | 3 h | 3 h | | 100-300 included | More than 50 | 10 h | - | | 100-300 included | More than 50 | - | - | | | |
| | More than 250 | 8 h | 8 h | | 301-500 included | More than 50 | 2 h | - | | 301-500 included | More than 50 | 2 h | - | | | |
| | | | | | | | | | | | For all other rated voltage and/or frequencies that are not included in the above configuration | | | 1 h | 1 h | |

EXTRA-LOW VOLTAGE - UP TO 50 V

| FREQ. (Hz) | RATED OPERATING VOLTAGE (V) | POSITION OF SECONDARY KEYWAY ⁽⁵⁾ | | |
|---------------------|-----------------------------|---|----|----|
| | | 16 and 32 A | 2P | 3P |
| 50 and 60 | 20-25 | Without keyway | | |
| 50 and 60 | 40-50 | 12 h | | |
| 100 to 200 included | 20-25 and 40-50 | 4 h | | |
| 300 | | 2 h | | |
| 400 | | 3 h | | |
| 401 to 500 included | | 11 h | | |
| Direct current | 20-25 and 40-50 | 10 h | | |

NOTES

- (1) The ground contact position is in relation to the keyway. The table indicates only the values for series I (16 - 32 - 63 - 125 A); however the devices can also be used in accordance with the values of series II (20 - 30 - 60 - 100 A).
- (2) Mainly for installation on ships. The positions indicated by a dash (-) are not standardised.
- (3) Colour according to voltage.
- (4) For refrigerated containers only (standardised ISO).
- (5) The position of the secondary keyway is in relation to the main keyway.



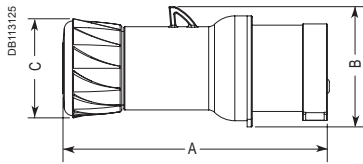
Dimensions

PratiKa plugs and sockets

Low voltage

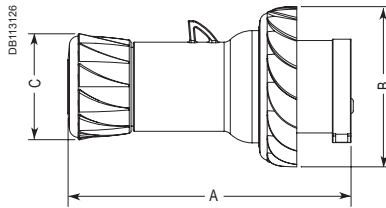
Wander plugs and sockets

Plugs IP44

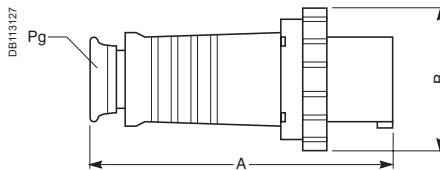


| Dim. | 16 A | | | 32 A | | |
|------|------|------|--------|------|------|--------|
| | 2P+⊕ | 3P+⊕ | 3P+N+⊕ | 2P+⊕ | 3P+⊕ | 3P+N+⊕ |
| A | 129 | 139 | 142 | 152 | 152 | 160 |
| B | 59 | 65 | 74 | 76 | 76 | 86 |
| C | 48 | 48 | 58 | 58 | 58 | 58 |

IP67

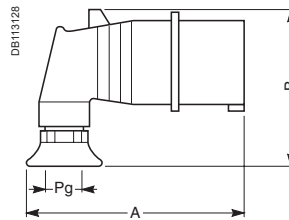


| Dim. | 16 A | | | 32 A | | |
|------|------|------|--------|------|------|--------|
| | 2P+⊕ | 3P+⊕ | 3P+N+⊕ | 2P+⊕ | 3P+⊕ | 3P+N+⊕ |
| A | 129 | 139 | 142 | 152 | 152 | 160 |
| B | 73 | 81 | 89 | 95 | 95 | 102 |
| C | 48 | 48 | 58 | 58 | 58 | 58 |



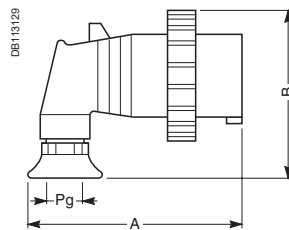
| Dim. | 63 A | | | 125 A | | |
|------|------|------|--------|-------|------|--------|
| | 2P+⊕ | 3P+⊕ | 3P+N+⊕ | 2P+⊕ | 3P+⊕ | 3P+N+⊕ |
| A | 265 | 265 | 265 | 325 | 325 | 325 |
| B | 110 | 110 | 110 | 131 | 131 | 131 |
| Pg | 36 | 36 | 36 | 48 | 48 | 48 |

Wander plugs angled 90° IP44



| Dim. | 16 A | | | 32 A | | |
|------|------|------|--------|------|------|--------|
| | 2P+⊕ | 3P+⊕ | 3P+N+⊕ | 2P+⊕ | 3P+⊕ | 3P+N+⊕ |
| A | 110 | 115 | 119 | 141 | 141 | 141 |
| B | 91 | 98 | 105 | 113 | 113 | 116 |
| Pg | 16 | 16 | 16 | 21 | 21 | 21 |

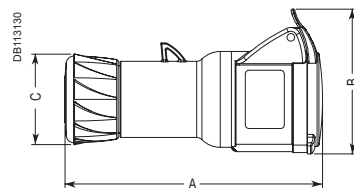
IP67



| Dim. | 16 A | | | 32 A | | |
|------|------|------|--------|------|------|--------|
| | 2P+⊕ | 3P+⊕ | 3P+N+⊕ | 2P+⊕ | 3P+⊕ | 3P+N+⊕ |
| A | 110 | 115 | 119 | 141 | 141 | 141 |
| B | 91 | 98 | 105 | 113 | 113 | 116 |
| Pg | 16 | 16 | 16 | 21 | 21 | 21 |

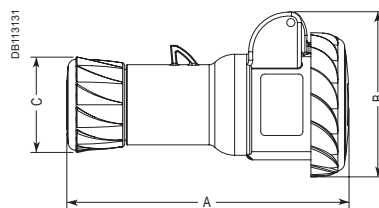
Wander sockets

IP44

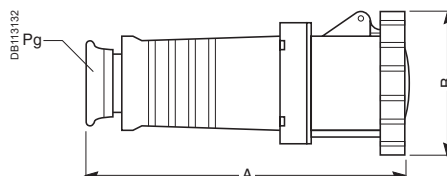


| Dim. | 16 A | | | 32 A | | |
|------|------|------|--------|------|------|--------|
| | 2P+⊕ | 3P+⊕ | 3P+N+⊕ | 2P+⊕ | 3P+⊕ | 3P+N+⊕ |
| A | 140 | 150 | 153 | 165 | 165 | 172 |
| B | 78 | 88 | 97 | 98 | 98 | 106 |
| C | 48 | 48 | 58 | 58 | 58 | 58 |

IP67



| Dim. | 16 A | | | 32 A | | |
|------|------|------|--------|------|------|--------|
| | 2P+⊕ | 3P+⊕ | 3P+N+⊕ | 2P+⊕ | 3P+⊕ | 3P+N+⊕ |
| A | 142 | 152 | 155 | 164 | 164 | 173 |
| B | 84 | 87 | 96 | 99 | 99 | 104 |
| C | 48 | 48 | 58 | 58 | 58 | 58 |



| Dim. | 63 A | | | 125 A | | |
|------|------|------|--------|-------|------|--------|
| | 2P+⊕ | 3P+⊕ | 3P+N+⊕ | 2P+⊕ | 3P+⊕ | 3P+N+⊕ |
| A | 265 | 265 | 265 | 325 | 325 | 325 |
| B | 110 | 110 | 110 | 131 | 131 | 131 |
| Pg | 36 | 36 | 36 | 48 | 48 | 48 |

Dimensions

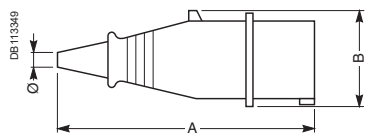
PratiKa plugs and sockets

Low voltage

Plugs with phase inverter - Systems adapters

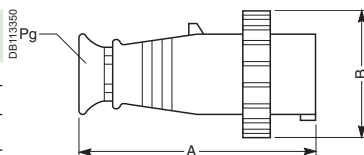
Plugs with phase inverter

IP44



| Dim. | 16 A | |
|------|-----------|-------------|
| | 3P+ \pm | 3P+N+ \pm |
| A | 145 | 163 |
| B | 66,5 | 74,5 |
| Ø | 10 | 13 |

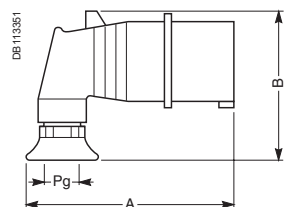
IP67



| Dim. | 16 A | |
|------|-----------|-------------|
| | 3P+ \pm | 3P+N+ \pm |
| A | 139 | 147,5 |
| B | 77 | 87 |
| Pg | Pg 16 | Pg 21 |

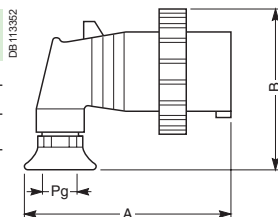
Wander plugs angled 90° with phase inverter

IP44



| Dim. | 16 A | |
|------|-----------|-------------|
| | 3P+ \pm | 3P+N+ \pm |
| A | 115 | 119 |
| B | 91 | 98 |
| Ø | 16 | 16 |

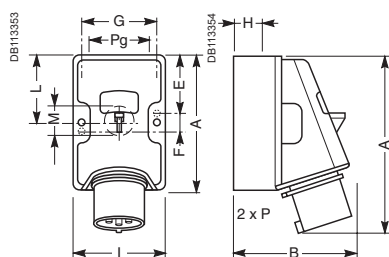
IP67



| Dim. | 16 A | |
|------|-----------|-------------|
| | 3P+ \pm | 3P+N+ \pm |
| A | 115 | 119 |
| B | 98 | 105 |
| Pg | 16 | 16 |

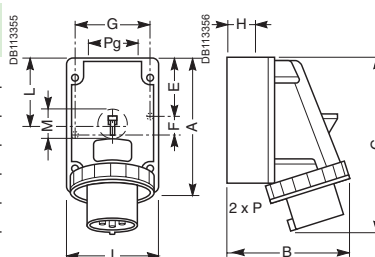
Wall-mounted plugs with phase inverter

IP44



| Dim. | 16 A | |
|------|-----------|-------------|
| | 3P+ \pm | 3P+N+ \pm |
| A | 100 | 130 |
| B | 109 | 125 |
| C | 140 | 134 |
| E | 41 | 7 |
| F | 18 | 116 |
| G | 67 | 92 |
| H | 21 | 25 |
| I | 80 | 106 |
| L | 50 | 65 |
| M | 23 | 28,5 |
| Pg | 21 | 21 |
| P | 2 x 16 | 2 x 21 |

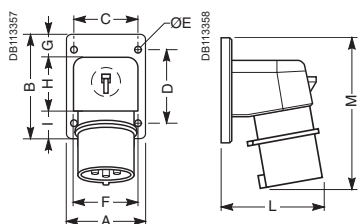
IP67



| Dim. | 16 A | |
|------|-----------|-------------|
| | 3P+ \pm | 3P+N+ \pm |
| A | 100 | 130 |
| B | 116 | 169 |
| C | 140 | 134 |
| E | 41 | 7 |
| F | 18 | 116 |
| G | 67 | 92 |
| H | 21 | 25 |
| I | 80 | 106 |
| L | 50 | 65 |
| M | 23 | 28,5 |
| Pg | 21 | 21 |
| P | 2 x 16 | 2 x 21 |

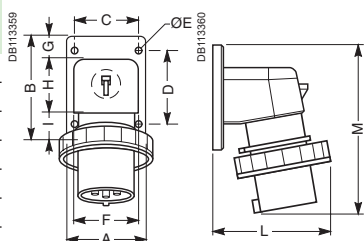
Panel-mounted plugs with phase inverter

IP44



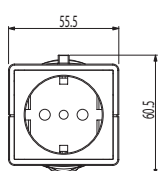
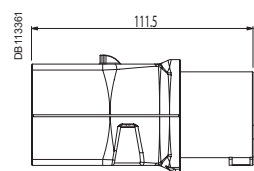
| Dim. | 16 A | |
|------|-----------|-------------|
| | 3P+ \pm | 3P+N+ \pm |
| A | 65 | 90 |
| B | 85 | 100 |
| C | 52 | 77 |
| D | 60 | 85 |
| E | 5,2 | 5,5 |
| F | 53 | 76 |
| G | 20 | 20 |
| H | 41,5 | 59,5 |
| I | 23,5 | 20,5 |
| L | 85 | 96 |
| M | 124 | 148 |

IP67

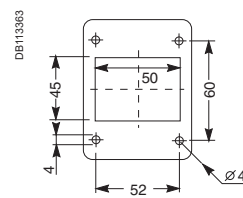
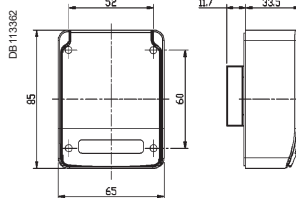


| Dim. | 16 A | |
|------|-----------|-------------|
| | 3P+ \pm | 3P+N+ \pm |
| A | 65 | 90 |
| B | 85 | 100 |
| C | 52 | 77 |
| D | 60 | 85 |
| E | 5,2 | 5,5 |
| F | 53 | 76 |
| G | 20 | 20 |
| H | 41,5 | 59,5 |
| I | 23,5 | 20,5 |
| L | 92 | 107 |
| M | 124 | 148 |

System adapters



Domestic panel mounted sockets



Dimensions

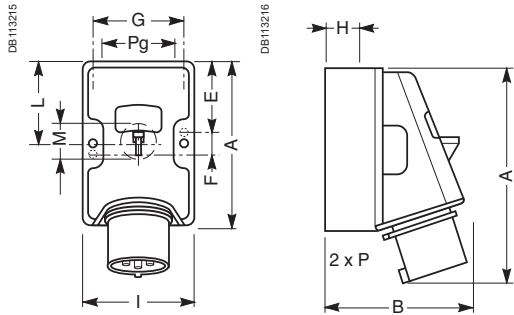
PratiKa plugs and sockets

Low voltage

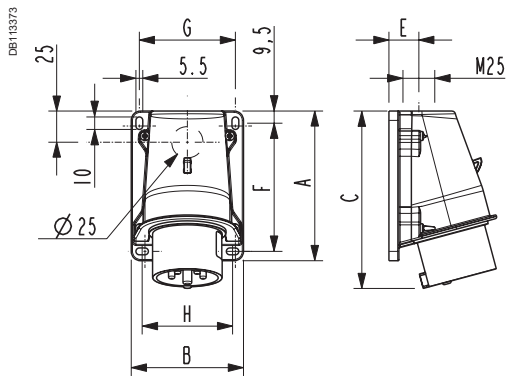
Wall-mounted plugs

Wall-mounted plugs

IP44

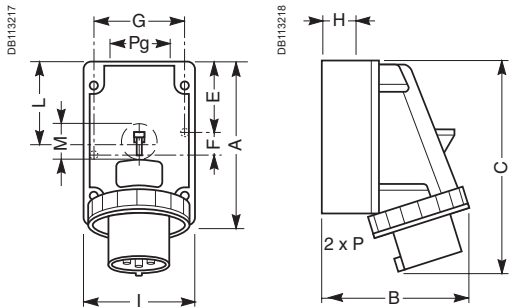


| Dim. | 16 A | | | 32 A | | |
|------|-----------|-----------|-------------|-----------|-----------|-------------|
| | 2P+ \pm | 3P+ \pm | 3P+N+ \pm | 2P+ \pm | 3P+ \pm | 3P+N+ \pm |
| A | 100 | 100 | 130 | 130 | 130 | 130 |
| B | 106 | 109 | 125 | 130 | 130 | 132 |
| C | 139 | 140 | 134 | 136 | 136 | 140 |
| E | 41 | 41 | 7 | 7 | 7 | 7 |
| F | 18 | 18 | 116 | 116 | 116 | 116 |
| G | 67 | 67 | 92 | 92 | 92 | 92 |
| H | 21 | 21 | 25 | 25 | 25 | 25 |
| I | 80 | 80 | 106 | 106 | 106 | 106 |
| L | 50 | 50 | 65 | 65 | 65 | 65 |
| M | 23 | 23 | 28,5 | 28,5 | 28,5 | 28,5 |
| Pg | 21 | 21 | 21 | 21 | 21 | 21 |
| P | 2 x 16 | 2 x 16 | 2 x 21 | 2 x 21 | 2 x 21 | 2 x 21 |

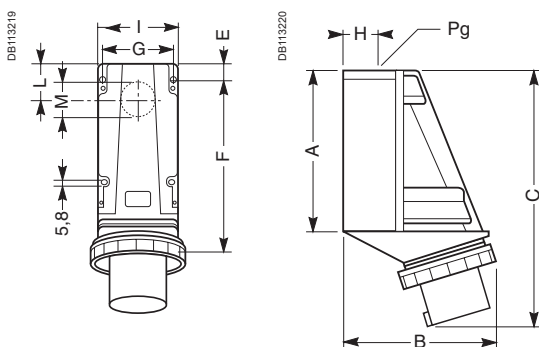


| Dim. | 16 A | | | 32 A | | |
|------|-----------|-----------|-------------|-----------|-----------|-------------|
| | 2P+ \pm | 3P+ \pm | 3P+N+ \pm | 2P+ \pm | 3P+ \pm | 3P+N+ \pm |
| A | 100 | 100 | 120 | 120 | 120 | 120 |
| B | 75 | 75 | 90 | 90 | 90 | 90 |
| C | 122 | 123 | 142 | 151 | 151 | 152 |
| D | 76 | 76 | 86 | 89 | 89 | 95 |
| E | 21 | 21 | 24 | 24 | 24 | 24 |
| F | 83 | 83 | 103 | 103 | 103 | 103 |
| G | 62 | 62 | 77 | 77 | 77 | 77 |
| H | 57,5 | 57,5 | 72,5 | 72,5 | 72,5 | 72,5 |

IP67



| Dim. | 16 A | | | 32 A | | |
|------|-----------|-----------|-------------|-----------|-----------|-------------|
| | 2P+ \pm | 3P+ \pm | 3P+N+ \pm | 2P+ \pm | 3P+ \pm | 3P+N+ \pm |
| A | 100 | 100 | 130 | 130 | 130 | 130 |
| B | 111 | 116 | 169 | 178 | 178 | 179 |
| C | 139 | 140 | 134 | 136 | 136 | 140 |
| E | 41 | 41 | 7 | 7 | 7 | 7 |
| F | 18 | 18 | 116 | 116 | 116 | 116 |
| G | 67 | 67 | 92 | 92 | 92 | 92 |
| H | 21 | 21 | 25 | 25 | 25 | 25 |
| I | 80 | 80 | 106 | 106 | 106 | 106 |
| L | 50 | 50 | 65 | 65 | 65 | 65 |
| M | 23 | 23 | 28,5 | 28,5 | 28,5 | 28,5 |
| Pg | 21 | 21 | 21 | 21 | 21 | 21 |
| P | 2 x 16 | 2 x 16 | 2 x 16 | 2 x 16 | 2 x 16 | 2 x 16 |



| Dim. | 63 A | | | 125 A | | |
|------|-----------|-----------|-------------|-----------|-----------|-------------|
| | 2P+ \pm | 3P+ \pm | 3P+N+ \pm | 2P+ \pm | 3P+ \pm | 3P+N+ \pm |
| A | 162 | 162 | 162 | 224 | 224 | 224 |
| B | 180 | 180 | 180 | 214 | 214 | 214 |
| C | 281 | 281 | 281 | 354 | 354 | 354 |
| E | 8 | 8 | 8 | 23 | 23 | 23 |
| F | 127 | 127 | 127 | 147 | 147 | 147 |
| G | 88 | 88 | 88 | 97 | 97 | 97 |
| H | 31 | 31 | 31 | 44 | 44 | 44 |
| I | 104 | 104 | 104 | 114 | 114 | 114 |
| L | 40 | 40 | 40 | 50 | 50 | 50 |
| M | 38 | 38 | 38 | 60 | 60 | 60 |
| Pg | 29 | 29 | 29 | 48 | 48 | 48 |

Dimensions

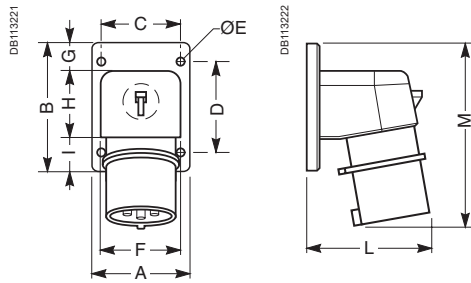
PratiKa plugs and sockets

Low voltage

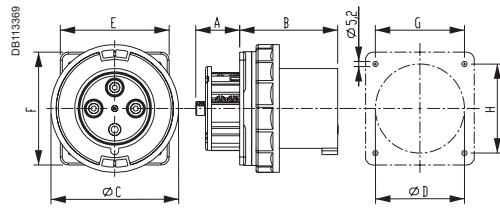
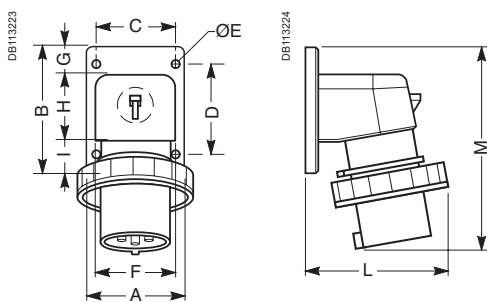
Panel-mounted plugs - Wall-mounted sockets

Panel-mounted plugs

IP44



IP67

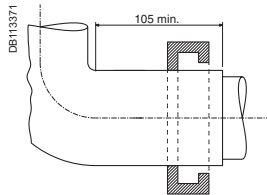


| Dim. | 16 A | | | 32 A | | |
|------|------|------|--------|------|------|--------|
| | 2P+⊕ | 3P+⊕ | 3P+N+⊕ | 2P+⊕ | 3P+⊕ | 3P+N+⊕ |
| A | 65 | 65 | 90 | 90 | 90 | 90 |
| B | 85 | 85 | 100 | 100 | 100 | 100 |
| C | 52 | 52 | 77 | 77 | 77 | 77 |
| D | 60 | 60 | 85 | 85 | 85 | 85 |
| E | 5,2 | 5,2 | 5,5 | 5,5 | 5,5 | 5,5 |
| F | 53 | 53 | 76 | 76 | 76 | 76 |
| G | 20 | 20 | 20 | 20 | 20 | 20 |
| H | 41,5 | 41,5 | 59,5 | 59,5 | 59,5 | 59,5 |
| I | 23,5 | 23,5 | 20,5 | 20,5 | 20,5 | 20,5 |
| L | 82 | 85 | 96 | 98 | 98 | 101 |
| M | 123 | 124 | 148 | 159 | 159 | 159 |

| Dim. | 16 A | | | 32 A | | |
|------|------|------|--------|------|------|--------|
| | 2P+⊕ | 3P+⊕ | 3P+N+⊕ | 2P+⊕ | 3P+⊕ | 3P+N+⊕ |
| A | 65 | 65 | 90 | 90 | 90 | 90 |
| B | 85 | 85 | 100 | 100 | 100 | 100 |
| C | 52 | 52 | 77 | 77 | 77 | 77 |
| D | 60 | 60 | 85 | 85 | 85 | 85 |
| E | 5,2 | 5,2 | 5,5 | 5,5 | 5,5 | 5,5 |
| F | 53 | 53 | 76 | 76 | 76 | 76 |
| G | 20 | 20 | 20 | 20 | 20 | 20 |
| H | 41,5 | 41,5 | 59,5 | 59,5 | 59,5 | 59,5 |
| I | 23,5 | 23,5 | 20,5 | 20,5 | 20,5 | 20,5 |
| L | 92 | 92 | 107 | 112 | 112 | 115 |
| M | 123 | 124 | 148 | 159 | 159 | 159 |

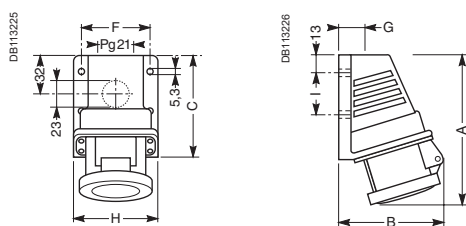
| Dim. | 63 A | | | 125 A | | |
|------|------|------|--------|-------|------|--------|
| | 2P+⊕ | 3P+⊕ | 3P+N+⊕ | 2P+⊕ | 3P+⊕ | 3P+N+⊕ |
| A | 24 | 24 | 24 | 44,5 | 44,5 | 44,5 |
| B | 89 | 89 | 89 | 99 | 99 | 99 |
| C | 114 | 114 | 114 | 129 | 129 | 129 |
| D | 75 | 75 | 75 | 90 | 90 | 90 |
| E | 100 | 100 | 100 | 110 | 110 | 110 |
| F | 107 | 107 | 107 | 114 | 114 | 114 |
| G | 77 | 77 | 77 | 90 | 90 | 90 |
| H | 85 | 85 | 85 | 90 | 90 | 90 |

Retaining means for IP67 panel mounted - plugs of 63 A and 125 A (according to standards IEC 60309-2 and IEC 60309-4)

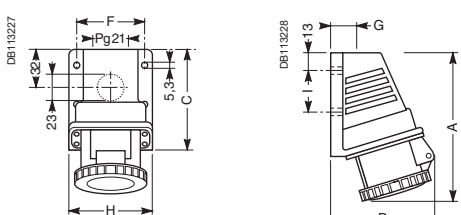


Small wall-mounted sockets

IP44



IP67



| Dim. | 16 A | | | 32 A | | |
|------|------|------|--------|------|------|--------|
| | 2P+⊕ | 3P+⊕ | 3P+N+⊕ | 2P+⊕ | 3P+⊕ | 3P+N+⊕ |
| A | 131 | 131 | 150 | 159 | 159 | 160 |
| B | 92 | 92 | 101 | 104 | 104 | 106 |
| C | 82 | 82 | 100 | 100 | 100 | 100 |
| F | 59 | 59 | 69 | 69 | 69 | 69 |
| G | 20 | 20 | 24 | 24 | 24 | 24 |
| H | 70 | 70 | 81 | 81 | 81 | 81 |
| I | 33 | 33 | 47 | 47 | 47 | 47 |

| Dim. | 16 A | | | 32 A | | |
|------|------|------|--------|------|------|--------|
| | 2P+⊕ | 3P+⊕ | 3P+N+⊕ | 2P+⊕ | 3P+⊕ | 3P+N+⊕ |
| A | 132 | 132 | 152 | 161 | 161 | 162 |
| B | 92 | 92 | 101 | 104 | 104 | 106 |
| C | 82 | 82 | 100 | 100 | 100 | 100 |
| F | 59 | 59 | 69 | 69 | 69 | 69 |
| G | 20 | 20 | 24 | 24 | 24 | 24 |
| H | 70 | 70 | 81 | 81 | 81 | 81 |
| I | 33 | 33 | 47 | 47 | 47 | 47 |

Dimensions

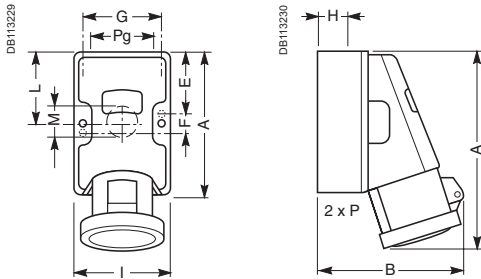
PratiKa plugs and sockets

Low voltage

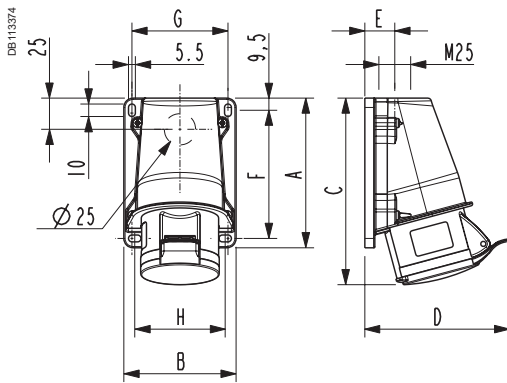
Wall-mounted sockets

Wall-mounted sockets

IP44

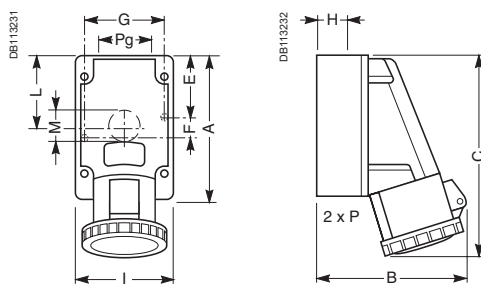


| Dim. | 16 A | | | 32 A | | |
|------|------------|------------|--------------|------------|------------|--------------|
| | 2P+ \neq | 3P+ \neq | 3P+N+ \neq | 2P+ \neq | 3P+ \neq | 3P+N+ \neq |
| A | 100 | 100 | 130 | 130 | 130 | 130 |
| B | 126 | 126 | 141 | 145 | 145 | 149 |
| C | 154 | 155 | 176 | 189 | 189 | 192 |
| E | 41 | 41 | 7 | 7 | 7 | 7 |
| F | 18 | 18 | 116 | 116 | 116 | 116 |
| G | 67 | 67 | 92 | 92 | 92 | 92 |
| H | 21 | 21 | 25 | 25 | 25 | 25 |
| I | 80 | 80 | 106 | 106 | 106 | 106 |
| L | 50 | 50 | 65 | 65 | 65 | 65 |
| M | 23 | 23 | 28,5 | 28,5 | 28,5 | 28,5 |
| Pg | 21 | 21 | 21 | 21 | 21 | 21 |
| P | 2 x 16 | 2 x 16 | 2 x 21 | 2 x 21 | 2 x 21 | 2 x 21 |

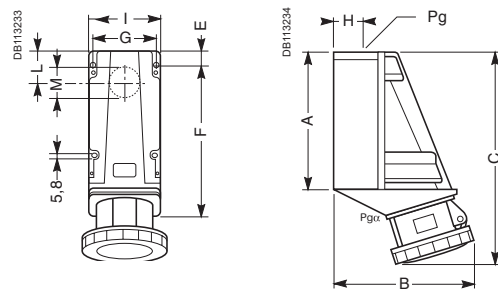


| Dim. | 16 A | | | 32 A | | |
|------|------------|------------|--------------|------------|------------|--------------|
| | 2P+ \neq | 3P+ \neq | 3P+N+ \neq | 2P+ \neq | 3P+ \neq | 3P+N+ \neq |
| A | 100 | 100 | 120 | 120 | 120 | 120 |
| B | 75 | 75 | 90 | 90 | 90 | 90 |
| C | 129 | 131 | 150 | 160 | 160 | 160 |
| D | 100 | 104 | 116 | 119 | 119 | 125 |
| E | 21 | 21 | 24 | 24 | 24 | 24 |
| F | 83 | 83 | 103 | 103 | 103 | 103 |
| G | 62 | 62 | 77 | 77 | 77 | 77 |
| H | 57,5 | 57,5 | 72,5 | 72,5 | 72,5 | 72,5 |

IP67



| Dim. | 16 A | | | 32 A | | |
|------|------------|------------|--------------|------------|------------|--------------|
| | 2P+ \neq | 3P+ \neq | 3P+N+ \neq | 2P+ \neq | 3P+ \neq | 3P+N+ \neq |
| A | 100 | 100 | 130 | 130 | 130 | 130 |
| B | 126 | 127 | 143 | 148 | 148 | 154 |
| C | 155 | 156 | 178 | 191 | 191 | 194 |
| E | 41 | 41 | 7 | 7 | 7 | 7 |
| F | 18 | 18 | 116 | 116 | 116 | 116 |
| G | 67 | 67 | 92 | 92 | 92 | 92 |
| H | 21 | 21 | 25 | 25 | 25 | 25 |
| I | 80 | 80 | 106 | 106 | 106 | 106 |
| L | 50 | 50 | 65 | 65 | 65 | 65 |
| M | 23 | 23 | 28,5 | 28,5 | 28,5 | 28,5 |
| Pg | 21 | 21 | 21 | 21 | 21 | 21 |
| P | 2 x 16 | 2 x 16 | 2 x 21 | 2 x 21 | 2 x 21 | 2 x 21 |



| Dim. | 63 A | | | 125 A | | |
|------|------------|------------|--------------|------------|------------|--------------|
| | 2P+ \neq | 3P+ \neq | 3P+N+ \neq | 2P+ \neq | 3P+ \neq | 3P+N+ \neq |
| A | 162 | 162 | 162 | 224 | 224 | 224 |
| B | 180 | 180 | 180 | 213 | 213 | 213 |
| C | 255 | 255 | 255 | 340 | 340 | 340 |
| E | 8 | 8 | 8 | 23 | 23 | 23 |
| F | 127 | 127 | 127 | 147 | 147 | 147 |
| G | 88 | 88 | 88 | 97 | 97 | 97 |
| H | 31 | 31 | 31 | 44 | 44 | 44 |
| I | 104 | 104 | 104 | 114 | 114 | 114 |
| L | 40 | 40 | 40 | 50 | 50 | 50 |
| M | 38 | 38 | 38 | 60 | 60 | 60 |
| Pg | 29 | 29 | 29 | 48 | 48 | 48 |
| Pgα | 29 | 29 | 29 | 29 | 36 | 29 |

Dimensions

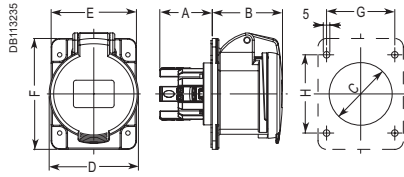
PratiKa plugs and sockets

Low voltage

Panel-mounted sockets

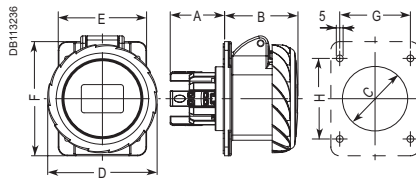
Straight panel-mounted sockets

IP44



| Dim. | 16 A | | | 32 A | | |
|------|------|------|--------|------|------|--------|
| | 2P+⚡ | 3P+⚡ | 3P+N+⚡ | 2P+⚡ | 3P+⚡ | 3P+N+⚡ |
| A | 40 | 40 | 40 | 42 | 42 | 42 |
| B | 54 | 54 | 54 | 63 | 63 | 64 |
| C | 44 | 48 | 55 | 58 | 58 | 65 |
| D | 60 | 68 | 76 | 82 | 82 | 89 |
| E | 65 | 65 | 90 | 90 | 90 | 90 |
| F | 85 | 85 | 100 | 100 | 100 | 100 |
| G | 52 | 52 | 77 | 77 | 77 | 77 |
| H | 60 | 60 | 85 | 85 | 85 | 85 |

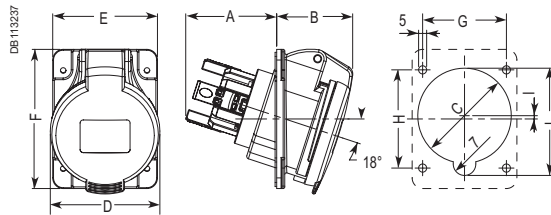
IP67



| Dim. | 16 A | | | 32 A | | |
|------|------|------|--------|------|------|--------|
| | 2P+⚡ | 3P+⚡ | 3P+N+⚡ | 2P+⚡ | 3P+⚡ | 3P+N+⚡ |
| A | 40 | 40 | 40 | 42 | 42 | 42 |
| B | 54 | 54 | 54 | 63 | 63 | 64 |
| C | 44 | 48 | 55 | 58 | 58 | 65 |
| D | 73 | 81 | 89 | 95 | 95 | 102 |
| E | 65 | 65 | 90 | 90 | 90 | 90 |
| F | 85 | 85 | 100 | 100 | 100 | 100 |
| G | 52 | 52 | 77 | 77 | 77 | 77 |
| H | 60 | 60 | 85 | 85 | 85 | 85 |

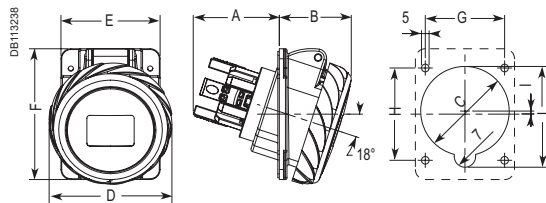
Angled panel-mounted sockets

IP44



| Dim. | 16 A | | | 32 A | | |
|------|------|------|--------|------|------|--------|
| | 2P+⚡ | 3P+⚡ | 3P+N+⚡ | 2P+⚡ | 3P+⚡ | 3P+N+⚡ |
| A | 57 | 57 | 56 | 64 | 64 | 64 |
| B | 46 | 48 | 50 | 53 | 53 | 55 |
| C | 54 | 58 | 70 | 70 | 70 | 75 |
| D | 60 | 68 | 76 | 82 | 82 | 89 |
| E | 65 | 65 | 90 | 90 | 90 | 90 |
| F | 85 | 85 | 100 | 100 | 100 | 100 |
| G | 52 | 52 | 77 | 77 | 77 | 77 |
| H | 60 | 60 | 85 | 85 | 85 | 85 |
| I | 2 | 2 | 7 | 3 | 3 | 2,5 |
| L | 59 | 65,5 | 75 | 76 | 76 | 83 |

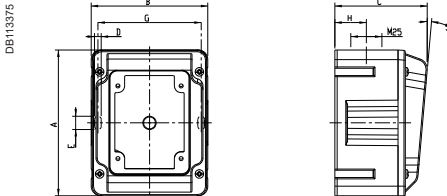
IP67



| Dim. | 16 A | | | 32 A | | |
|------|------|------|--------|------|------|--------|
| | 2P+⚡ | 3P+⚡ | 3P+N+⚡ | 2P+⚡ | 3P+⚡ | 3P+N+⚡ |
| A | 57 | 57 | 56 | 64 | 64 | 64 |
| B | 46 | 48 | 50 | 54 | 54 | 57 |
| C | 54 | 58 | 70 | 70 | 70 | 75 |
| D | 73 | 81 | 89 | 95 | 95 | 102 |
| E | 65 | 65 | 90 | 90 | 90 | 90 |
| F | 85 | 85 | 100 | 100 | 100 | 100 |
| G | 52 | 52 | 77 | 77 | 77 | 77 |
| H | 60 | 60 | 85 | 85 | 85 | 85 |
| I | 2 | 2 | 7 | 3 | 3 | 2,5 |
| L | 59 | 65,5 | 75 | 76 | 76 | 83 |

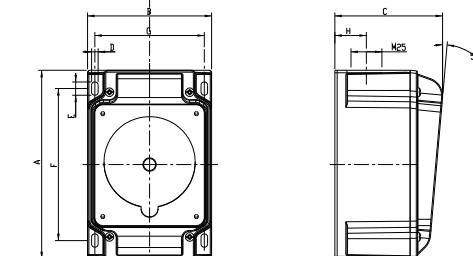
Back box

Flanged 65x85



| Dim. | Suitable for fitting socket with flange | |
|------|---|----------|
| | 65 x 85 | 90 x 100 |
| A | 120 | 155 |
| B | 96 | 102 |
| C | 76 | 89 |
| D | 5,5 | 5,5 |
| E | 11 | 11 |
| F | - | 125 |
| G | 85 | 90 |
| H | 26 | 26 |

Flanged 90x100



FLVED208001EN

version: 2.0

15/06/2022

Life Is On

Schneider Electric

71

Dimensions

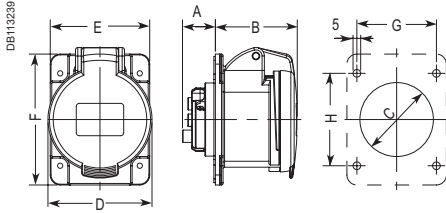
PratiKa plugs and sockets

Low voltage

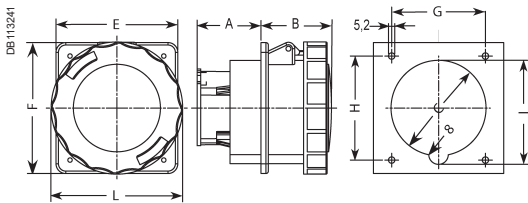
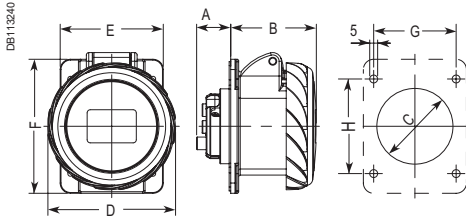
Panel-mounted sockets

Straight panel-mounted sockets

IP44



IP67



L = 108 mm for 63 A and 129 mm for 125 A

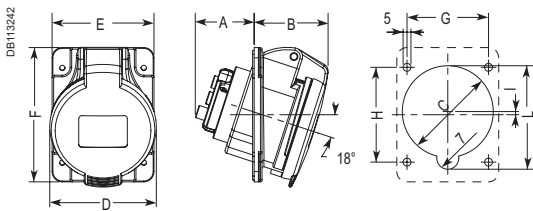
| Dim. | 16 A | | | 32 A | | |
|------|------|------|--------|------|------|--------|
| | 2P+⊕ | 3P+⊕ | 3P+N+⊕ | 2P+⊕ | 3P+⊕ | 3P+N+⊕ |
| A | 22 | 22 | 22 | 28 | 28 | 28 |
| B | 54 | 54 | 54 | 63 | 63 | 64 |
| C | 44 | 48 | 54 | 58 | 58 | 65 |
| D | 60 | 68 | 76 | 82 | 82 | 89 |
| E | 65 | 65 | 90 | 90 | 90 | 90 |
| F | 85 | 85 | 100 | 100 | 100 | 100 |
| G | 52 | 52 | 77 | 77 | 77 | 77 |
| H | 60 | 60 | 85 | 85 | 85 | 85 |

| Dim. | 16 A | | | 32 A | | |
|------|------|------|--------|------|------|--------|
| | 2P+⊕ | 3P+⊕ | 3P+N+⊕ | 2P+⊕ | 3P+⊕ | 3P+N+⊕ |
| A | 22 | 22 | 22 | 28 | 28 | 28 |
| B | 54 | 54 | 54 | 63 | 63 | 64 |
| C | 44 | 48 | 54 | 58 | 58 | 65 |
| D | 73 | 81 | 89 | 95 | 95 | 102 |
| E | 65 | 65 | 90 | 90 | 90 | 90 |
| F | 85 | 85 | 100 | 100 | 100 | 100 |
| G | 52 | 52 | 77 | 77 | 77 | 77 |
| H | 60 | 60 | 85 | 85 | 85 | 85 |

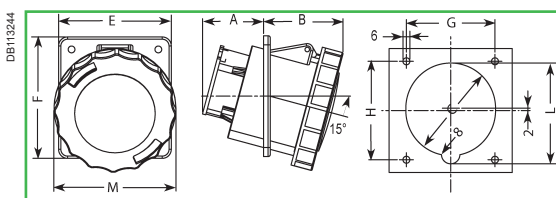
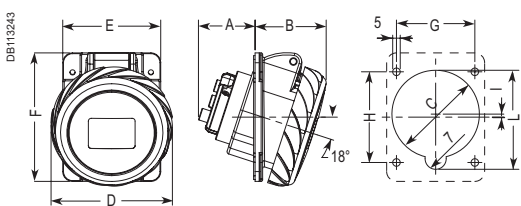
| Dim. | 63 A | | | 125 A | | |
|------|------|------|--------|-------|------|--------|
| | 2P+⊕ | 3P+⊕ | 3P+N+⊕ | 2P+⊕ | 3P+⊕ | 3P+N+⊕ |
| A | 52 | 52 | 52 | 76 | 76 | 76 |
| B | 61 | 61 | 61 | 85 | 85 | 85 |
| C | 78 | 78 | 78 | 90 | 90 | 90 |
| E | 100 | 100 | 100 | 110 | 110 | 110 |
| F | 107 | 107 | 107 | 114 | 114 | 114 |
| G | 77 | 77 | 77 | 90 | 90 | 90 |
| H | 85 | 85 | 85 | 90 | 90 | 90 |
| I | 85 | 85 | 85 | 96 | 96 | 96 |

Angled panel-mounted sockets

IP44



IP67



M = 108 mm for 63 A and 129 mm for 125 A

| Dim. | 16 A | | | 32 A | | |
|------|------|------|--------|------|------|--------|
| | 2P+⊕ | 3P+⊕ | 3P+N+⊕ | 2P+⊕ | 3P+⊕ | 3P+N+⊕ |
| A | 38 | 38 | 37 | 48 | 48 | 48 |
| B | 46 | 48 | 50 | 53 | 53 | 55 |
| C | 54 | 58 | 70 | 70 | 70 | 75 |
| D | 60 | 68 | 76 | 82 | 82 | 89 |
| E | 65 | 65 | 90 | 90 | 90 | 90 |
| F | 85 | 85 | 100 | 100 | 100 | 100 |
| G | 52 | 52 | 77 | 77 | 77 | 77 |
| H | 60 | 60 | 85 | 85 | 85 | 85 |
| I | 2 | 2 | 7 | 3 | 3 | 2,5 |
| L | 59 | 65,5 | 75 | 76 | 76 | 83 |

| Dim. | 16 A | | | 32 A | | |
|------|------|------|--------|------|------|--------|
| | 2P+⊕ | 3P+⊕ | 3P+N+⊕ | 2P+⊕ | 3P+⊕ | 3P+N+⊕ |
| A | 38 | 38 | 37 | 48 | 48 | 48 |
| B | 46 | 48 | 50 | 54 | 54 | 57 |
| C | 54 | 58 | 70 | 70 | 70 | 75 |
| D | 73 | 81 | 89 | 95 | 95 | 102 |
| E | 65 | 65 | 90 | 90 | 90 | 90 |
| F | 85 | 85 | 100 | 100 | 100 | 100 |
| G | 52 | 52 | 77 | 77 | 77 | 77 |
| H | 60 | 60 | 85 | 85 | 85 | 85 |
| I | 2 | 2 | 7 | 3 | 3 | 2,5 |
| L | 59 | 65,5 | 75 | 76 | 76 | 83 |

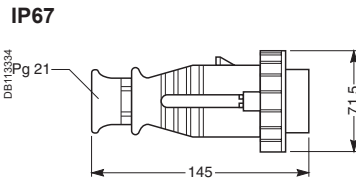
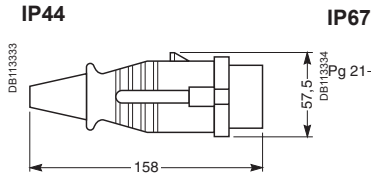
| Dim. | 63 A | | | 125 A | | |
|------|------|------|--------|-------|------|--------|
| | 2P+⊕ | 3P+⊕ | 3P+N+⊕ | 2P+⊕ | 3P+⊕ | 3P+N+⊕ |
| A | 56 | 56 | 56 | 76 | 76 | 76 |
| B | 73 | 73 | 73 | 90 | 90 | 90 |
| C | 82 | 82 | 82 | 96 | 96 | 96 |
| E | 100 | 100 | 100 | 110 | 110 | 110 |
| F | 107 | 107 | 107 | 114 | 114 | 114 |
| G | 77 | 77 | 77 | 90 | 90 | 90 |
| H | 85 | 85 | 85 | 90 | 90 | 90 |
| I | 90 | 90 | 90 | 102 | 102 | 102 |

Dimensions

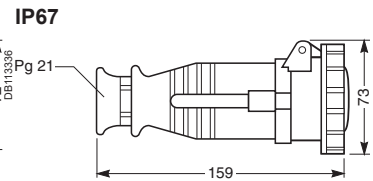
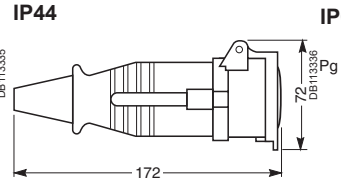
PratiKa plugs and sockets

Extra-low voltage

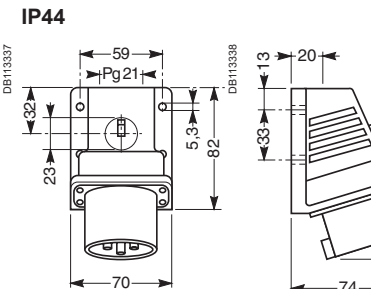
Wander-plugs



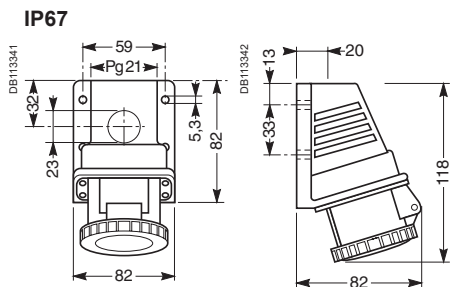
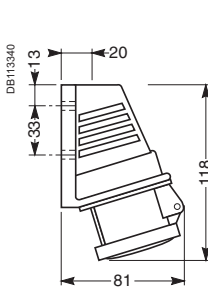
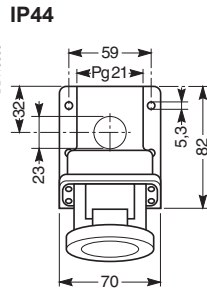
Wander sockets



Wall-mounted plugs

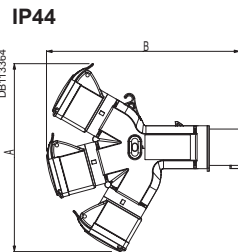


Wall-mounted sockets

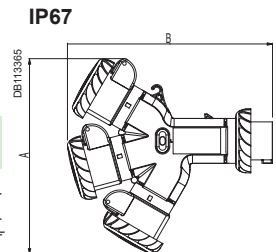


Multiple adapters 3 socket outlets

| PLUG SIDE | IP44 | | SOCKET SIDE |
|-------------|------|-----|----------------------------------|
| | A | B | |
| 16 A 2P+⊕ | 223 | 230 | 3 x 16 A 2P+⊕ |
| 16 A 3P+⊕ | 245 | 241 | 3 x 16 A 3P+⊕ |
| 32 A 3P+N+⊕ | 252 | 270 | 1x 32 A 3P+N+⊕ +2 x 16 A 2P+⊕ |

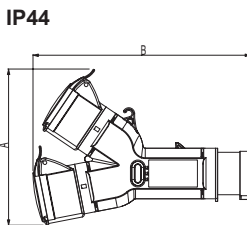


| PLUG SIDE | IP67 | | SOCKET SIDE |
|-------------|------|-----|----------------------------------|
| | A | B | |
| 16 A 2P+⊕ | 222 | 233 | 3 x 16 A 2P+⊕ |
| 16 A 3P+⊕ | 242 | 244 | 3 x 16 A 3P+⊕ |
| 32 A 3P+N+⊕ | 251 | 274 | 1x 32 A 3P+N+⊕ +2 x 16 A 2P+⊕ |

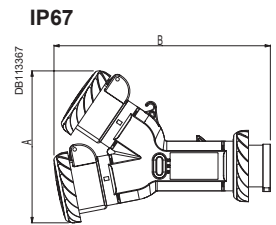


Multiple adapters 2 socket outlets

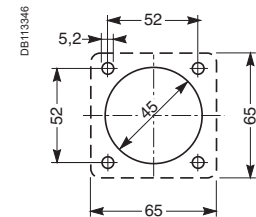
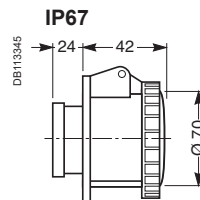
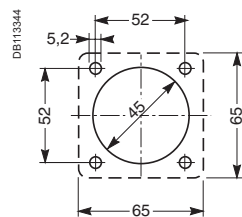
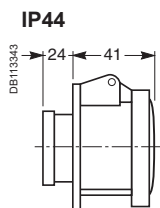
| PLUG SIDE | IP44 | | SOCKET SIDE |
|-----------|------|-----|---------------|
| | A | B | |
| 16 A 2P+⊕ | 160 | 230 | 2 x 16 A 2P+⊕ |
| 16 A 3P+⊕ | 173 | 241 | 2 x 16 A 3P+⊕ |



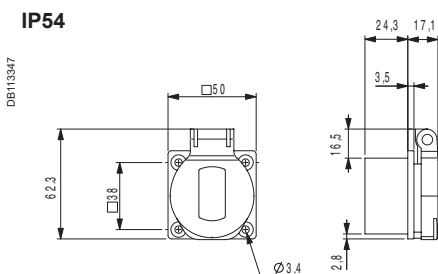
| PLUG SIDE | IP67 | | SOCKET SIDE |
|-----------|------|-----|---------------|
| | A | B | |
| 16 A 2P+⊕ | 160 | 233 | 2 x 16 A 2P+⊕ |
| 16 A 3P+⊕ | 171 | 244 | 2 x 16 A 3P+⊕ |



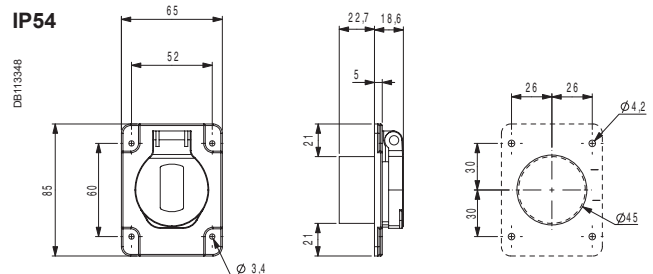
Panel-mounted straight sockets with flange 65 x 65



Domestic sockets 50 x 50



Domestic sockets 65 x 85

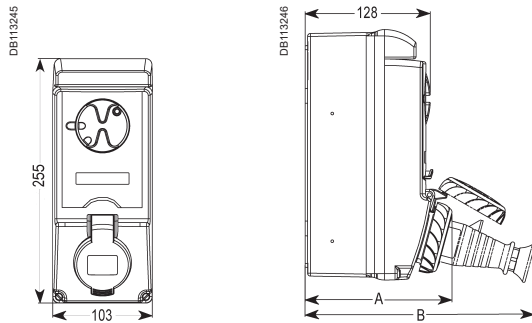


Dimensions

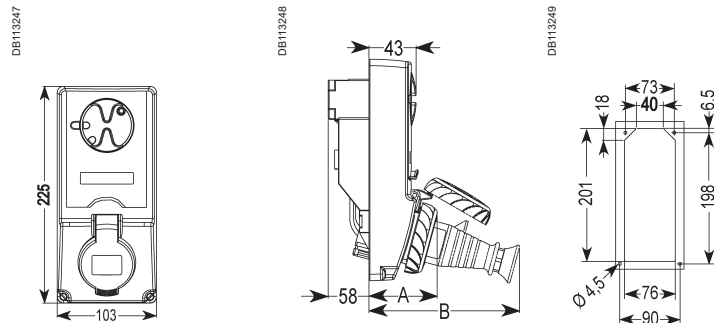
PratiKa sockets with interlock switch Unika

Unika sockets with interlock switch

Wall-mounted version



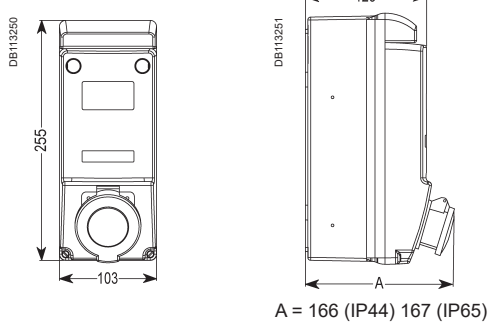
Panel-mounted version



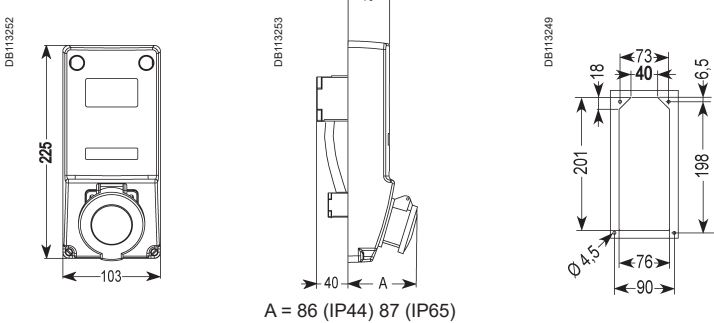
| Dim. | IP44 16 A | | | 32 A | | | IP65 16 A | | | 32 A | | | IP44 16 A | | | 32 A | | | IP65 16 A | | | 32 A | | |
|------|-----------|-----|-----|------|-----|-----|-----------|-----|-----|------|-----|-----|-----------|-----|-----|------|-----|-----|-----------|-----|-----|------|-----|-----|
| | 3P | 4P | 5P | 3P | 4P | 5P | 3P | 4P | 5P | 3P | 4P | 5P | 3P | 4P | 5P | 3P | 4P | 5P | 3P | 4P | 5P | 3P | 4P | 5P |
| A | 150 | 150 | 151 | 151 | 151 | 152 | 149 | 150 | 151 | 151 | 151 | 153 | 69 | 69 | 70 | 70 | 70 | 71 | 68 | 69 | 70 | 70 | 70 | 72 |
| B | 235 | 239 | 257 | 271 | 271 | 274 | 237 | 240 | 244 | 260 | 260 | 261 | 154 | 158 | 176 | 190 | 190 | 193 | 156 | 159 | 163 | 179 | 179 | 180 |

Unika sockets with safety transformer

Wall-mounted version

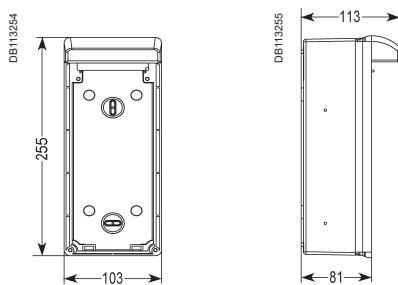


Panel-mounted version

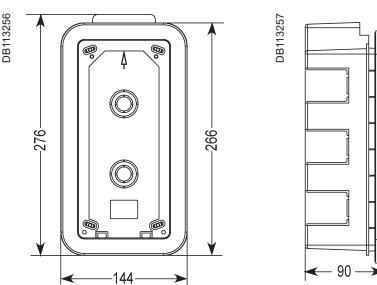


Unika Mounting boxes

Wall-mounting

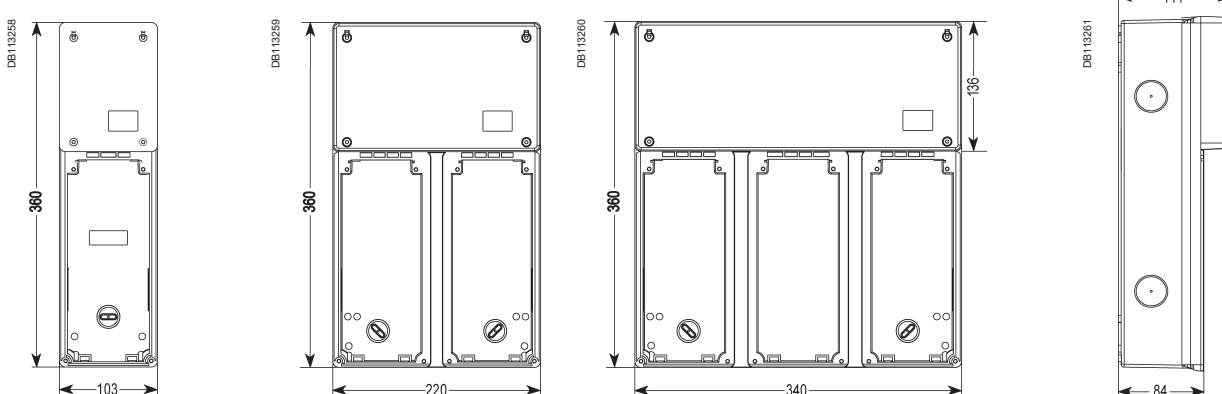


Embedded boxes



Unika Modular bases

Wall-mounting

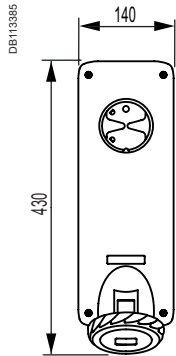


Dimensions

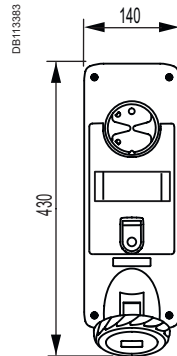
PratiKa sockets with interlock switch Unika

Unika Sockets with interlock switch Wall -mounted IP 65

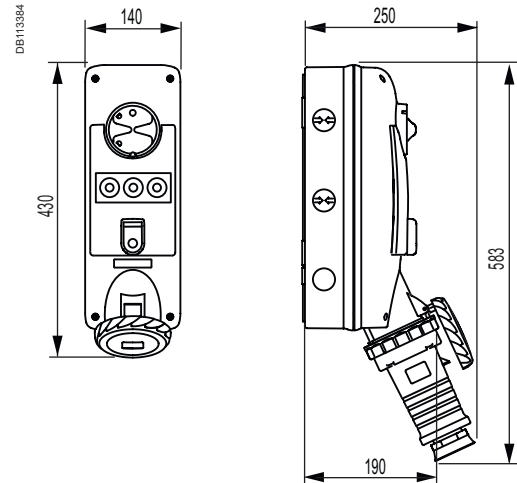
Without protection



With DIN rail

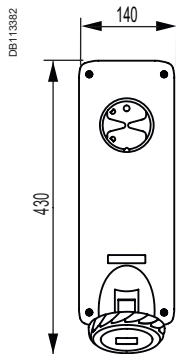


Protected by fuse carrier

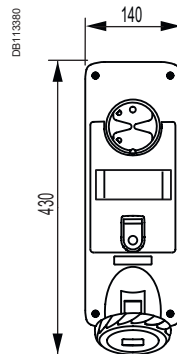


Panel -mounted IP 65

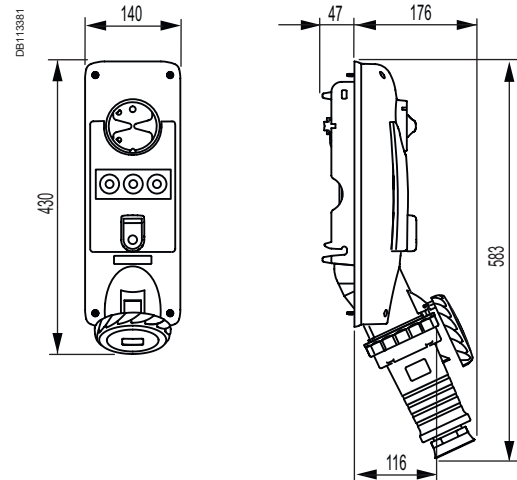
Without protection



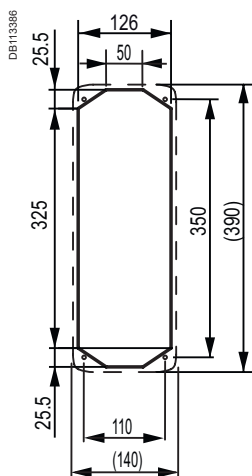
With DIN rail



Protected by fuse carrier



Fixing opening for panel-mounted version

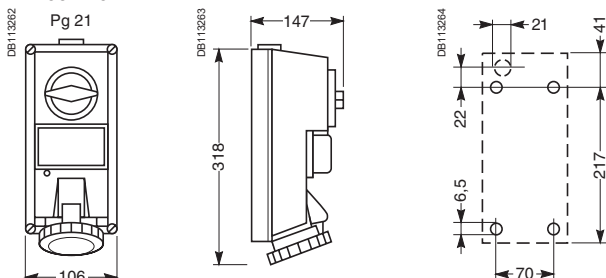


Dimensions

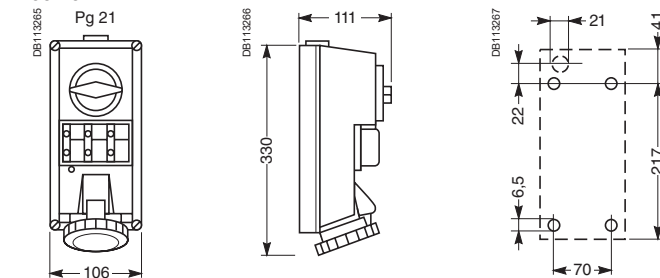
PratiKa sockets with interlock switch Isoblock

Isoblock - Sockets with interlock switch protected by disconnect fuse carriers with and without warning device

IP65 - 16 A

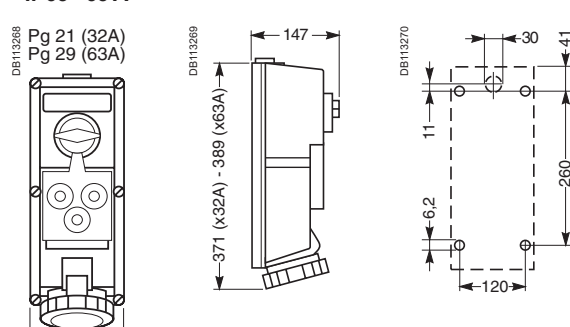


IP65 - 32 A



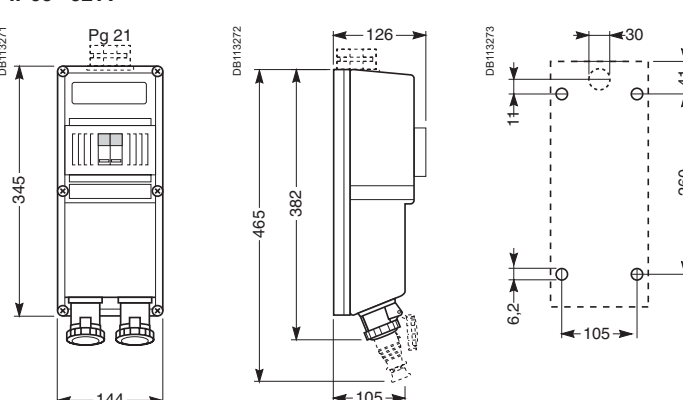
Sockets with interlock switch protected by diazed fuse carriers

IP65 - 63 A



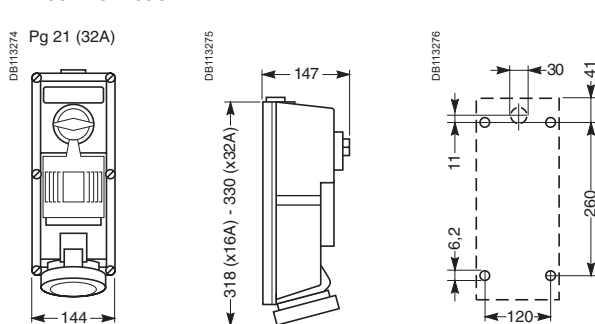
Sockets with safety transformer

IP65 - 32 A

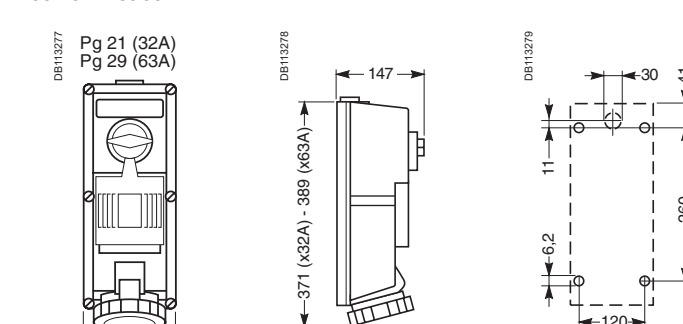


Sockets with DIN rail

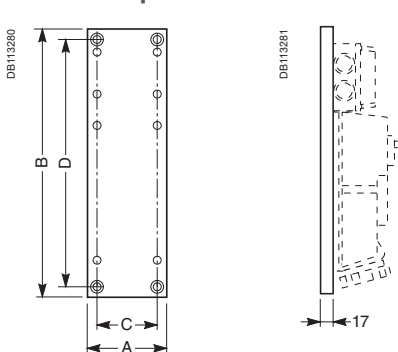
IP65 - 16 A et 32 A



IP65 - 32 A et 63 A



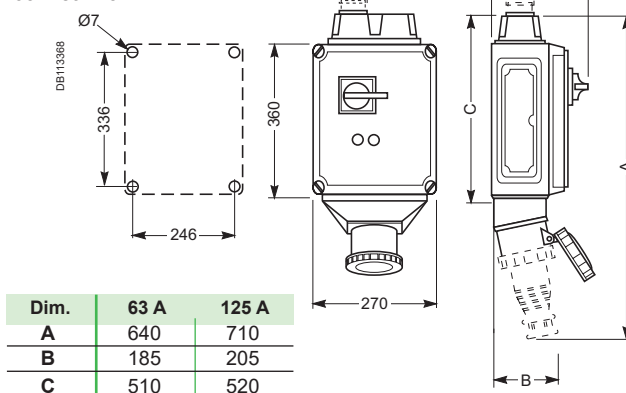
Modular panels



| Dim. | 83925 | 83926 | 83927 |
|------|-------|-------|-------|
| A | 111 | 222 | 151 |
| B | 535 | 535 | 535 |
| C | 81 | 192 | 121 |
| D | 514 | 514 | 514 |

Isoblock - Sockets with safety switch and electrical interlock

IP65 - 63 A et 125 A



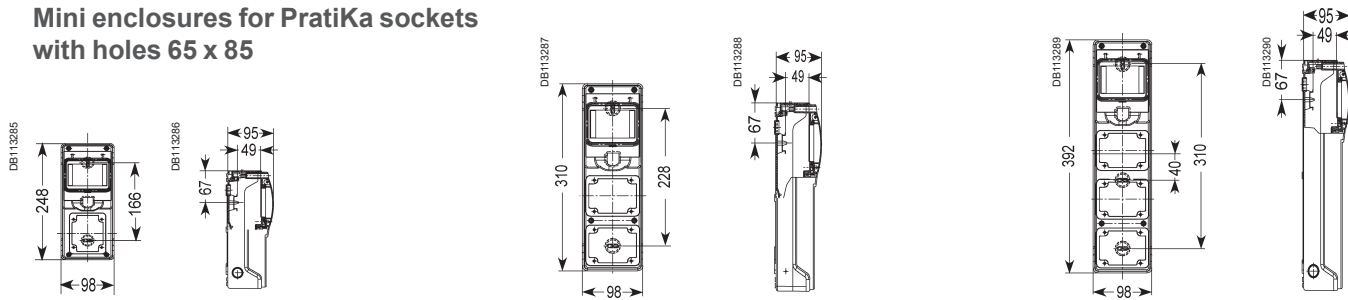
| Dim. | 63 A | 125 A |
|------|------|-------|
| A | 640 | 710 |
| B | 185 | 205 |
| C | 510 | 520 |

Dimensions

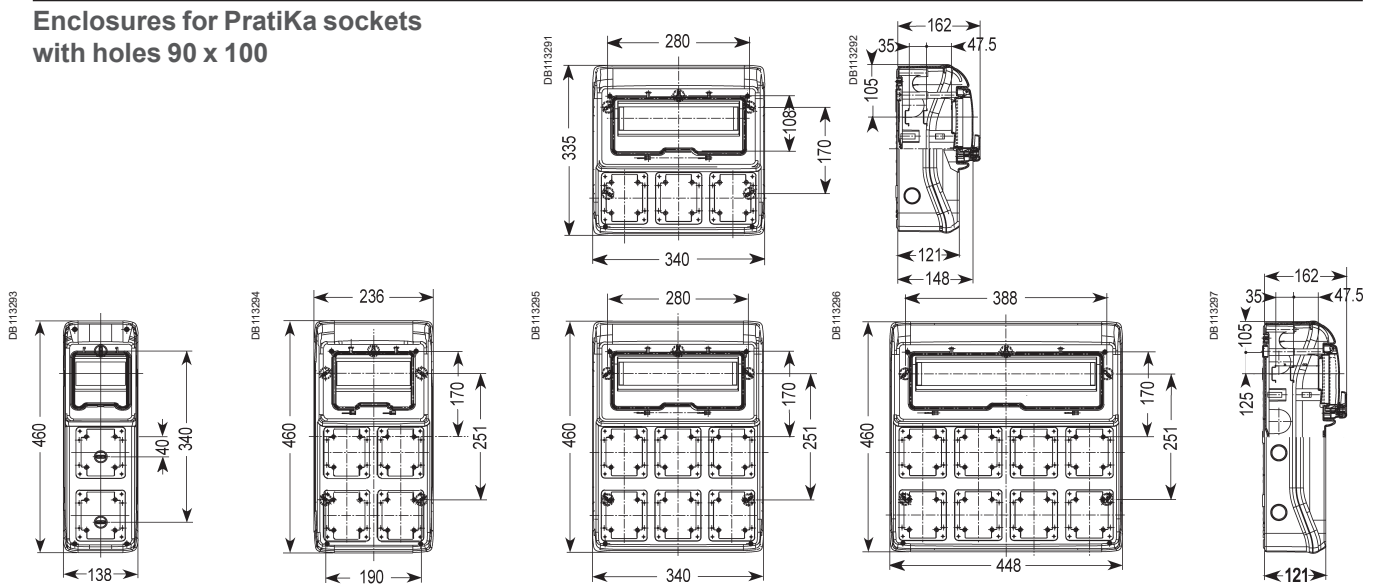
Kaedra System

Enclosures for sockets

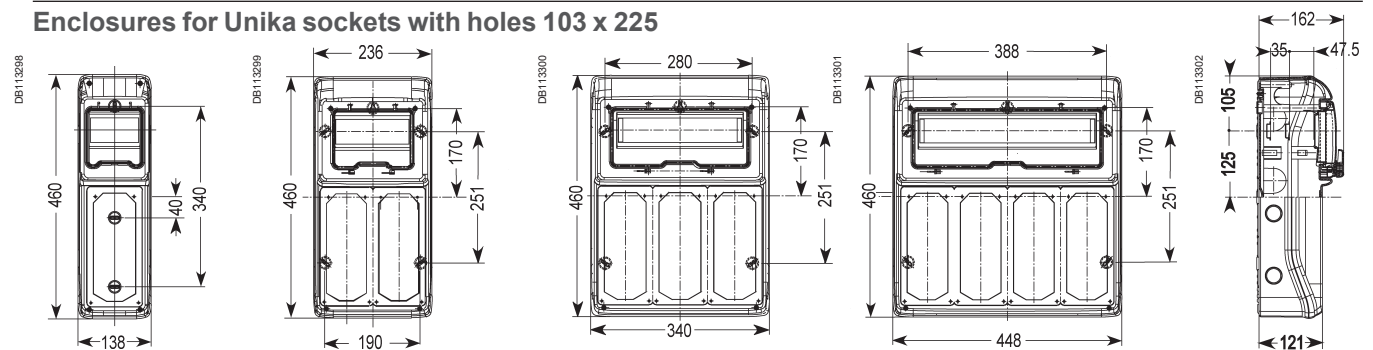
Mini enclosures for PratiKa sockets with holes 65 x 85



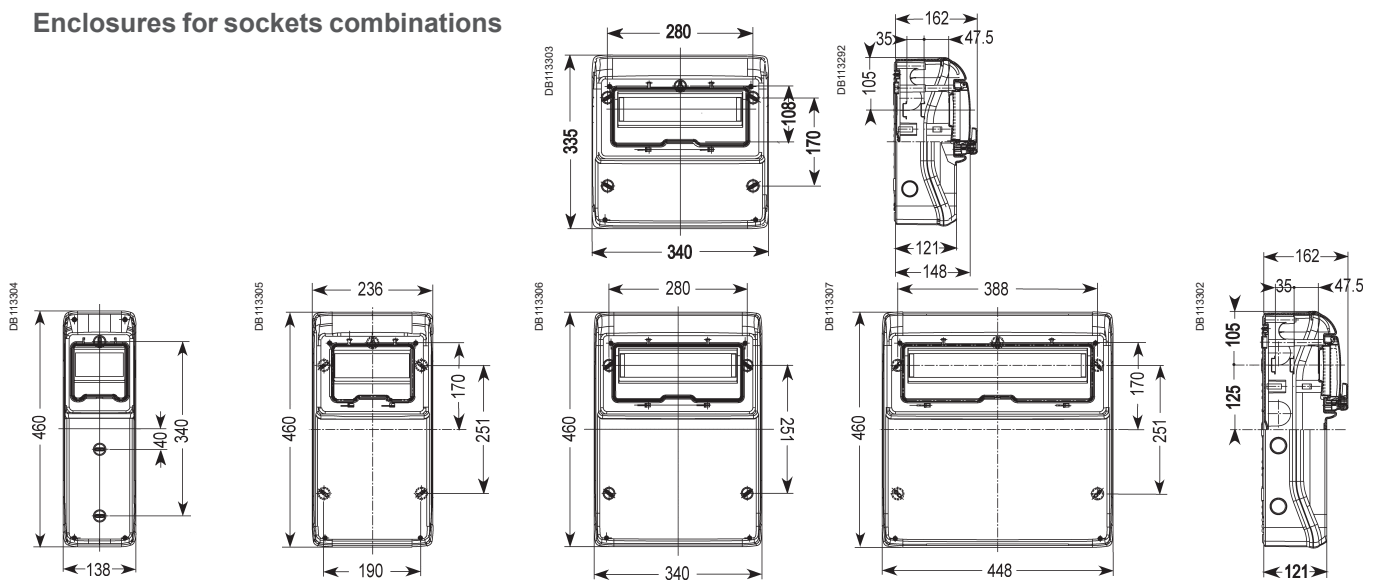
Enclosures for PratiKa sockets with holes 90 x 100



Enclosures for Unika sockets with holes 103 x 225



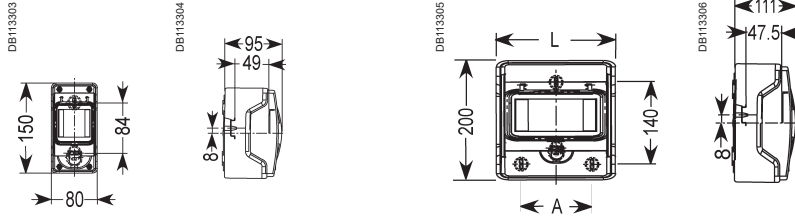
Enclosures for sockets combinations



Dimensions

Kaedra System Enclosures for modular devices

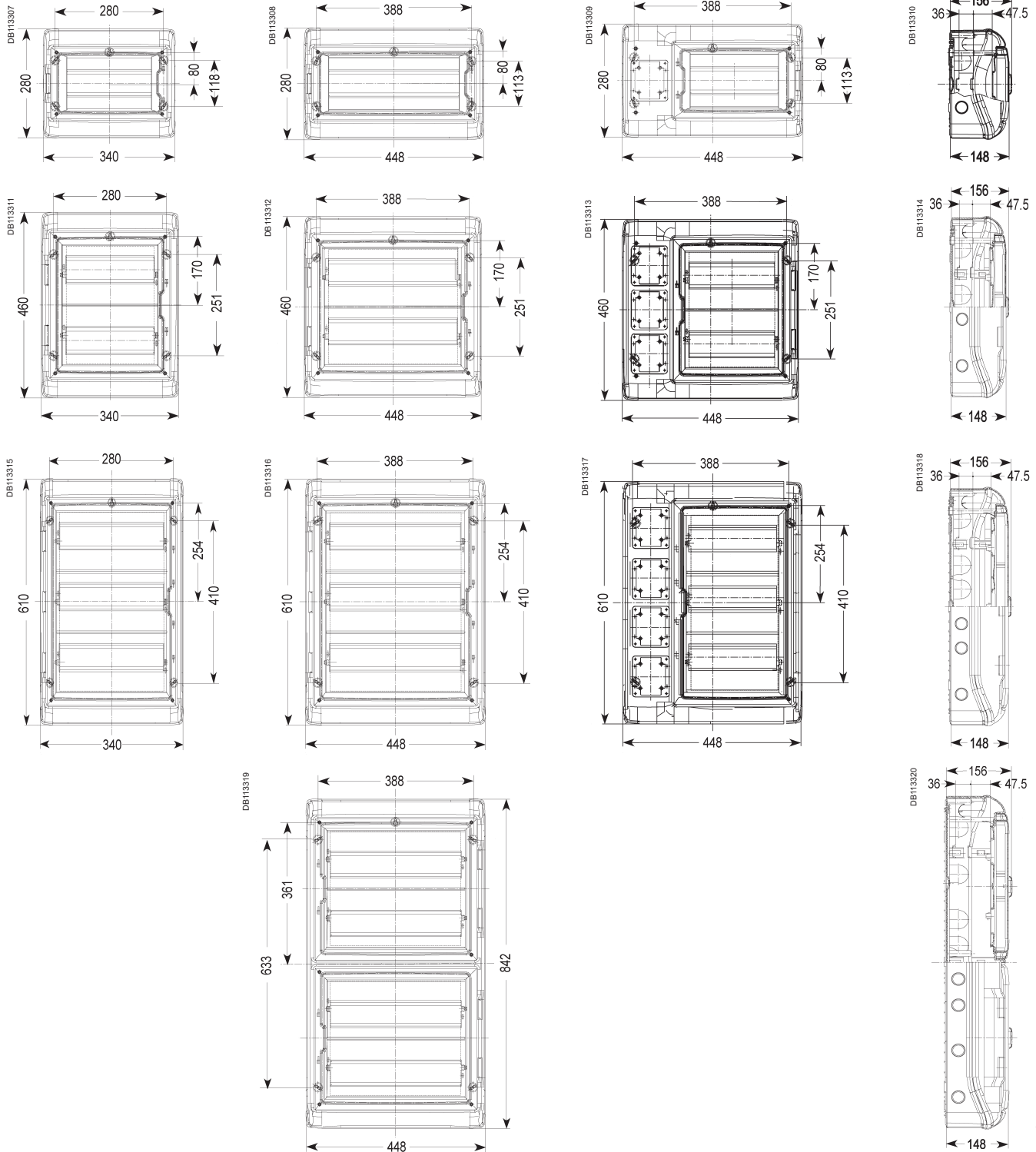
Mini enclosures for modular devices



| Modules | A | L |
|---------|-----|-----|
| 4 | – | 123 |
| 6 | – | 159 |
| 8 | 88 | 195 |
| 12 | 160 | 267 |

Enclosures for modular devices

With interface

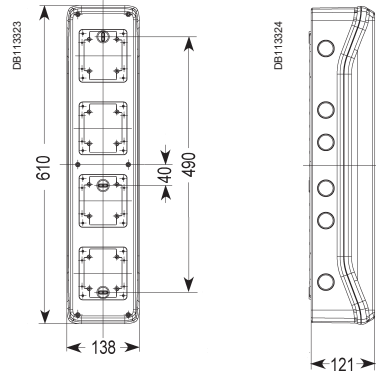
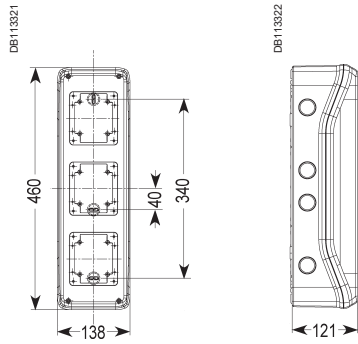




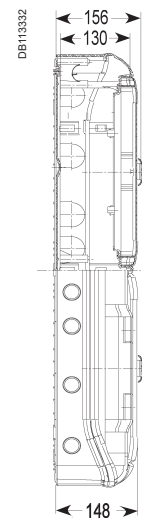
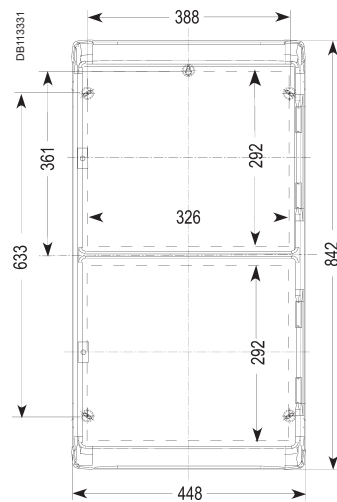
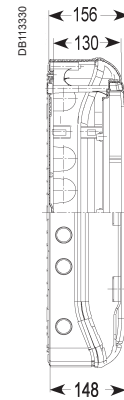
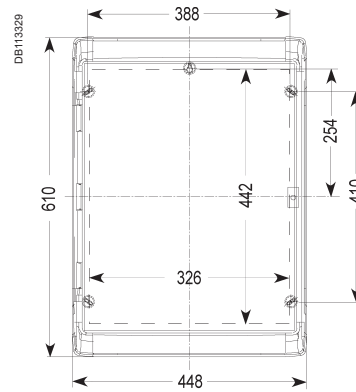
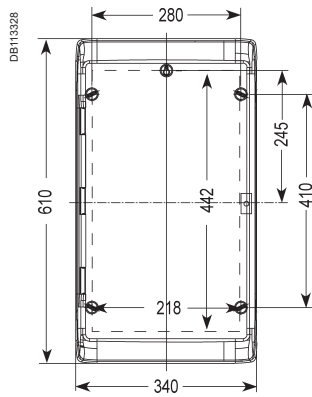
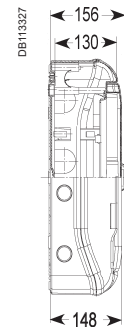
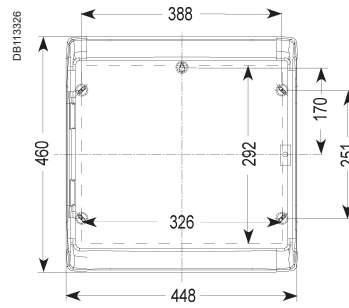
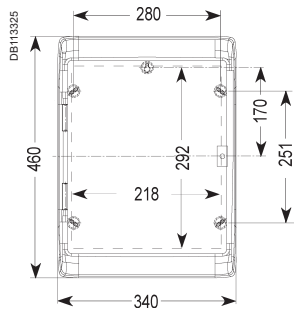
Dimensions

Kaedra System Interface enclosures / Universal enclosures

Interface enclosures



Universal enclosures



| Code | Page | Code | Page | Code | Page | Code | Page | Code | Page | Code | Page |
|--------------|--------|-------|--------|--------------|------------|-------|--------|--------------|--------|-------|------------|
| 13000 | | 81397 | 14, 16 | 81883 | 14, 20 | 82140 | 40, 42 | 82456 | 37, 38 | 83085 | 40, 43 |
| 13135 | 57 | 81398 | 14, 16 | 81890 | 14, 20 | 82141 | 40, 42 | 82463 | 37, 38 | 83086 | 40, 43 |
| 13136 | 57 | 81476 | 26, 28 | 81894 | 14, 20 | 82142 | 40, 42 | 82465 | 37, 38 | 83092 | 40, 43 |
| 13137 | 57 | 81477 | 26, 28 | 81895 | 14, 20 | 82143 | 40, 42 | 82466 | 37, 38 | 83093 | 40, 43 |
| 13138 | 57 | 81478 | 26, 28 | | | 82144 | 40, 42 | 82467 | 37, 38 | 83096 | 40, 43 |
| 13139 | 57 | 81479 | 26, 28 | 82000 | | 82145 | 40, 42 | 82468 | 37, 38 | 83097 | 40, 43 |
| 13142 | 47, 57 | 81480 | 26, 28 | 82026 | 37, 41, 44 | 82146 | 40, 42 | 82470 | 37, 38 | 83098 | 40, 43 |
| 13143 | 47, 57 | 81482 | 26, 28 | 82028 | 40, 42 | 82147 | 40, 42 | 82477 | 37, 38 | 83104 | 26, 30 |
| 13144 | 47, 57 | 81483 | 26, 28 | 82029 | 40, 42 | 82148 | 40, 42 | 82494 | 51 | 83106 | 26, 30 |
| 13934 | 47 | 81485 | 26, 28 | 82030 | 40, 42 | 82149 | 40, 42 | 82495 | 51 | 83108 | 26, 30 |
| | | 81486 | 26, 28 | 82031 | 40, 42 | 82151 | 37, 39 | 82501 | 24, 25 | 83109 | 26, 30 |
| 81000 | | 81488 | 26, 28 | 82032 | 40, 42 | 82154 | 37, 39 | 82504 | 24, 25 | 83111 | 26, 30 |
| 81139 | 27, 35 | 81489 | 26, 28 | 82033 | 40, 42 | 82176 | 37, 39 | 82513 | 24, 25 | 83116 | 26, 30 |
| 81140 | 27, 35 | 81490 | 26, 28 | 82034 | 40, 42 | 82178 | 40, 42 | 82754 | 40, 49 | 83117 | 26, 30 |
| 81141 | 27, 35 | 81491 | 26, 28 | 82035 | 40, 42 | 82179 | 40, 42 | 82754 | 40 | 83120 | 26, 30 |
| 81142 | 27, 35 | 81492 | 26, 28 | 82036 | 40, 42 | 82180 | 40, 42 | 82758 | 40, 49 | 83121 | 26, 30 |
| 81143 | 27, 35 | 81494 | 26, 28 | 82037 | 40, 42 | 82181 | 40, 42 | 82758 | 40 | 83123 | 26, 30 |
| 81146 | 27, 35 | 81495 | 26, 28 | 82038 | 40, 42 | 82182 | 40, 42 | 82759 | 40, 49 | 83131 | 40, 43 |
| 81176 | 30 | 81497 | 26, 28 | 82039 | 40, 42 | 82183 | 40, 42 | 82759 | 40 | 83135 | 40, 43 |
| 81177 | 30 | 81498 | 26, 28 | 82040 | 40, 42 | 82184 | 40, 42 | 82766 | 40, 49 | 83136 | 40, 43 |
| 81178 | 26, 30 | 81578 | 14, 19 | 82041 | 40, 42 | 82185 | 40, 42 | 82770 | 40, 49 | 83142 | 40, 43 |
| 81179 | 26, 30 | 81582 | 14, 19 | 82042 | 40, 42 | 82186 | 40, 42 | 82771 | 40, 49 | 83146 | 40, 43 |
| 81180 | 30 | 81583 | 14, 19 | 82043 | 40, 42 | 82187 | 40, 42 | 82782 | 40, 49 | 83147 | 40, 43 |
| 81182 | 26, 30 | 81585 | 14, 19 | 82044 | 40, 42 | 82188 | 40, 42 | 82783 | 40, 49 | 83148 | 40, 43 |
| 81183 | 26, 30 | 81586 | 14, 19 | 82045 | 40, 42 | 82189 | 40, 42 | 82879 | 40, 48 | 83151 | 26, 30 |
| 81185 | 26, 30 | 81590 | 14, 19 | 82046 | 40, 42 | 82190 | 40, 42 | 82882 | 40, 48 | 83152 | 26, 30 |
| 81186 | 26, 30 | 81591 | 14, 19 | 82047 | 40, 42 | 82191 | 40, 42 | 82883 | 40, 48 | 83153 | 26, 30 |
| 81189 | 30 | 81594 | 14, 19 | 82048 | 40, 42 | 82192 | 40, 42 | 82901 | 37, 39 | 83154 | 26, 30 |
| 81190 | 30 | 81595 | 14, 19 | 82049 | 40, 42 | 82193 | 40, 42 | 82903 | 37, 39 | 83155 | 26, 30 |
| 81191 | 26, 30 | 81599 | 52, 55 | 82076 | 37, 41, 44 | 82194 | 40, 42 | 82904 | 37, 39 | 83156 | 26, 30 |
| 81192 | 26, 30 | 81676 | 26, 33 | 82078 | 40, 42 | 82195 | 40, 42 | 82905 | 37, 39 | 83157 | 26, 30 |
| 81194 | 26, 30 | 81677 | 26, 33 | 82079 | 40, 42 | 82196 | 40, 42 | 82906 | 37, 39 | 83158 | 26, 30 |
| 81195 | 26, 30 | 81678 | 26, 33 | 82080 | 40, 42 | 82197 | 40, 42 | 82912 | 37, 39 | 83159 | 26, 30 |
| 81197 | 30 | 81679 | 26, 33 | 82081 | 40, 42 | 82198 | 40, 42 | 82915 | 37, 39 | 83161 | 26, 30 |
| 81198 | 30 | 81680 | 26, 33 | 82082 | 40, 42 | 82199 | 40, 42 | 82916 | 37, 39 | 83162 | 26, 30 |
| 81199 | 53, 55 | 81682 | 26, 33 | 82083 | 40, 42 | 82301 | 24, 25 | 82918 | 37 | 83163 | 26, 30 |
| 81276 | 26, 33 | 81683 | 26, 33 | 82084 | 40, 42 | 82302 | 24, 25 | 82919 | 37, 39 | 83164 | 26, 30 |
| 81277 | 33 | 81685 | 26, 33 | 82085 | 40, 42 | 82303 | 24, 25 | 82920 | 37, 39 | 83165 | 26, 30 |
| 81278 | 26, 33 | 81686 | 26, 33 | 82086 | 40, 42 | 82304 | 24, 25 | 82926 | 37, 39 | 83166 | 26, 30 |
| 81279 | 33 | 81688 | 26, 33 | 82087 | 40, 42 | 82305 | 24, 25 | 82927 | 37, 39 | 83167 | 26, 30 |
| 81280 | 33 | 81689 | 26, 33 | 82088 | 40, 42 | 82306 | 24, 25 | 82951 | 37, 39 | 83168 | 26, 30 |
| 81282 | 26, 33 | 81690 | 26, 33 | 82089 | 40, 42 | 82315 | 24, 25 | 82952 | 37, 39 | 83169 | 26, 30 |
| 81283 | 26, 33 | 81691 | 26, 33 | 82090 | 40, 42 | 82318 | 24, 25 | 82953 | 37, 39 | 83170 | 26, 30 |
| 81285 | 26, 33 | 81692 | 26, 33 | 82091 | 40, 42 | 82320 | 24, 25 | 82954 | 37, 39 | 83171 | 26, 30 |
| 81286 | 26, 33 | 81694 | 26, 33 | 82092 | 40, 42 | 82325 | 24, 25 | 82955 | 37, 39 | 83173 | 26, 30 |
| 81288 | 33 | 81695 | 26, 33 | 82093 | 40, 42 | 82351 | 24, 25 | 82956 | 37, 39 | 83174 | 26, 30 |
| 81289 | 33 | 81697 | 26, 33 | 82094 | 40, 42 | 82352 | 24, 25 | 82963 | 37, 39 | 83181 | 40, 43 |
| 81290 | 26, 33 | 81698 | 26, 33 | 82095 | 40, 42 | 82353 | 24, 25 | 82965 | 37, 39 | 83185 | 40, 43 |
| 81291 | 33 | 81709 | 17 | 82096 | 40, 42 | 82354 | 24, 25 | 82966 | 37, 39 | 83186 | 40, 43 |
| 81292 | 33 | 81716 | 17 | 82097 | 40, 42 | 82355 | 24, 25 | 82967 | 37, 39 | 83191 | 40, 43 |
| 81294 | 26, 33 | 81721 | 17 | 82098 | 40, 42 | 82356 | 24, 25 | 82968 | 37, 39 | 83192 | 40, 43 |
| 81295 | 26, 33 | 81754 | 15, 17 | 82099 | 40, 42 | 82363 | 24, 25 | 82969 | 37, 39 | 83196 | 40, 43 |
| 81297 | 33 | 81758 | 15, 17 | 82101 | 37, 39 | 82365 | 24, 25 | 82970 | 37, 39 | 83197 | 40, 43 |
| 81298 | 33 | 81759 | 15, 17 | 82103 | 37, 39 | 82366 | 24, 25 | 82976 | 37, 39 | 83299 | 40, 53, 55 |
| 81376 | 14, 16 | 81766 | 15, 17 | 82118 | 37 | 82367 | 24, 25 | 82977 | 37, 39 | 83399 | 40, 53, 55 |
| 81377 | 14, 16 | 81770 | 15, 17 | 82126 | 37, 39 | 82368 | 24, 25 | | | 83454 | 40, 48 |
| 81378 | 14, 16 | 81771 | 15, 17 | 82128 | 40, 42 | 82370 | 24, 25 | 83000 | | 83454 | 40 |
| 81379 | 14, 16 | 81802 | 15, 20 | 82129 | 40, 42 | 82377 | 24, 25 | 83031 | 40, 43 | 83458 | 40, 48 |
| 81380 | 14, 16 | 81804 | 15, 20 | 82130 | 40, 42 | 82401 | 37, 38 | 83034 | 40, 43 | 83458 | 40 |
| 81382 | 14, 16 | 81807 | 15, 20 | 82131 | 42 | 82404 | 37, 38 | 83035 | 40, 43 | 83459 | 40, 48 |
| 81383 | 14, 16 | 81808 | 15, 20 | 82132 | 40, 42 | 82411 | 37, 38 | 83036 | 40, 43 | 83459 | 40 |
| 81385 | 14, 16 | 81809 | 15, 20 | 82133 | 40, 42 | 82413 | 37, 38 | 83038 | 40, 43 | 83466 | 40, 48 |
| 81386 | 14, 16 | 81816 | 15, 20 | 82134 | 40, 42 | 82420 | 37, 38 | 83039 | 40, 43 | 83470 | 40, 48 |
| 81390 | 14, 16 | 81820 | 15, 20 | 82135 | 40, 42 | 82451 | 37, 38 | 83042 | 40, 43 | 83471 | 40, 48 |
| 81391 | 14, 16 | 81821 | 15, 20 | 82136 | 40, 42 | 82452 | 37, 38 | 83045 | 40, 43 | 83504 | 15, 19 |
| 81392 | 14, 16 | 81878 | 14, 20 | 82137 | 40, 42 | 82453 | 37, 38 | 83046 | 40, 43 | 83506 | 15, 19 |
| 81394 | 14, 16 | 81879 | 14, 20 | 82138 | 40, 42 | 82454 | 37, 38 | 83047 | 40, 43 | 83509 | 15, 19 |
| 81395 | 14, 16 | 81882 | 14, 20 | 82139 | 40, 42 | 82455 | 37, 38 | 83081 | 40, 43 | 83516 | 15, 19 |

| Code | Page | Code | Page | Code | Page | Code | Page | Code | Page | Code | Page |
|------------|------------|------------|------------|------------|--------|-----------|------------|------------|------------|------------|--------|
| 83520 | 15, 19 | PKB63Q523 | 40, 43 | PKE32M744 | 15, 16 | PKF16W725 | 26, 29 | PKN | | PKX32M713 | 15, 16 |
| 83521 | 15, 19 | PKB63Q524 | 40, 43 | PKE32M745 | 15, 16 | PKF16W733 | 26, 29 | PKN51B | 27, 35 | PKX32M714 | 15, 16 |
| 83531 | 15, 23 | PKB63Q525 | 40, 43 | PKE32W414 | 15, 18 | PKF16W734 | 26, 29 | PKN51G | 27, 35 | PKX32M715 | 15, 16 |
| 83532 | 15, 23 | PKB63Q534 | 40, 43 | PKE32W415 | 15, 18 | PKF16W735 | 26, 29 | PKN51N | 27, 35 | PKX32M723 | 15, 16 |
| 83553 | 15, 19 | PKB63Q535 | 40, 43 | PKE32W423 | 15, 18 | PKF16W744 | 26, 29 | PKN61B | 27, 35 | PKX32M724 | 15, 16 |
| 83554 | 15, 19 | PKB63R523 | 40, 43 | PKE32W424 | 15, 18 | PKF32F7C4 | 26, 53, 55 | PKN61G | 27, 35 | PKX32M725 | 15, 16 |
| 83556 | 15, 19 | PKB63R524 | 40, 43 | PKE32W433 | 15, 18 | PKF32F413 | 26, 33 | PKN61N | 27, 35 | PKX32M733 | 15, 16 |
| 83558 | 15, 19 | PKB63R525 | 40, 43 | PKE32W434 | 15, 18 | PKF32F414 | 26, 33 | PKN62B | 27, 35 | PKX32M734 | 15, 16 |
| 83559 | 15, 19 | PKB63R534 | 40, 43 | PKE32W435 | 15, 18 | PKF32F415 | 26, 33 | | | PKX32M735 | 15, 16 |
| 83566 | 15, 19 | PKB63R535 | 40, 43 | PKF | | PKF32F423 | 26, 33 | PKS | | PKX32M744 | 15, 16 |
| 83567 | 15, 19 | PKB63T515 | 40, 42 | PKF16F413 | 26, 33 | PKF32F424 | 26, 33 | PKS51B | 27, 35 | PKX32M745 | 15, 16 |
| 83569 | 15, 19 | PKB63T523 | 40, 42 | PKF16F414 | 26, 33 | PKF32F425 | 26, 33 | PKS51G | 27, 35 | PKX32W413 | 15, 18 |
| 83570 | 15, 19 | PKB63T524 | 40, 42 | PKF16F415 | 26, 33 | PKF32F433 | 26, 33 | PKS51N | 27, 35 | PKX32W414 | 15, 18 |
| 83571 | 15, 19 | PKB63T534 | 40, 42 | PKF16F423 | 26, 33 | PKF32F434 | 26, 33 | PKS52B | 27, 35 | PKX32W415 | 15, 18 |
| 83579 | 15, 23 | PKB63T535 | 40, 42 | PKF16F424 | 26, 33 | PKF32F435 | 26, 33 | PKS52G | 27, 35 | PKX32W423 | 15, 18 |
| 83580 | 15, 23 | PKB63U523 | 40, 42 | PKF16F425 | 26, 33 | PKF32F445 | 26, 33 | PKS52N | 27, 35 | PKX32W424 | 15, 18 |
| 83581 | 15, 23 | PKB63U534 | 40, 42 | PKF16F433 | 26, 33 | PKF32F713 | 26, 33 | PKS61B | 27, 35 | PKX32W425 | 15, 18 |
| 83791 | 40, 49 | PKB63U535 | 40, 42 | PKF16F434 | 26, 33 | PKF32F714 | 26, 33 | PKS61G | 27, 35 | PKX32W433 | 15, 18 |
| 83795 | 40, 49 | PKB63V514 | 40, 42 | PKF16F435 | 26, 33 | PKF32F715 | 26, 33 | PKS61N | 27, 35 | PKX32W434 | 15, 18 |
| 83796 | 40, 49 | PKB63V515 | 40, 42 | PKF16F444 | 26, 33 | PKF32F723 | 26, 33 | PKS62B | 27, 35 | PKX32W435 | 15, 18 |
| 83831 | 15, 23 | PKB63V523 | 40, 42 | PKF16F445 | 26, 33 | PKF32F724 | 26, 33 | PKS62G | 27, 35 | PKX32W444 | 15, 18 |
| 83833 | 15, 23 | PKB63V524 | 40, 42 | PKF16F713 | 26, 33 | PKF32F725 | 26, 33 | | | PKX32W445 | 15, 18 |
| 83854 | 15, 20 | PKB63V525 | 40, 42 | PKF16F714 | 26, 33 | PKF32F733 | 26, 33 | PKX | | | |
| 83858 | 15, 20 | PKB63V534 | 40, 42 | PKF16F715 | 26, 33 | PKF32F734 | 26, 33 | PKX16M413 | 15, 16 | PKY | |
| 83859 | 15, 20 | PKB63V535 | 40, 42 | PKF16F723 | 26, 33 | PKF32F735 | 26, 33 | PKX16M414 | 15, 16 | PKY16F413 | 26, 32 |
| 83861 | 15, 20 | PKE | | PKF16F724 | 26, 33 | PKF32F744 | 26, 33 | PKX16M415 | 15, 16 | PKY16F414 | 26, 32 |
| 83862 | 15, 20 | PKE16M413 | 15, 16 | PKF16F725 | 26, 33 | PKF32G7C4 | 26, 53, 55 | PKX16M423 | 15, 16 | PKY16F415 | 26, 32 |
| 83863 | 15, 20 | PKE16M414 | 15, 16 | PKF16F733 | 26, 33 | PKF32G415 | 26, 33 | PKX16M424 | 15, 16 | PKY16F423 | 26, 32 |
| 83866 | 15, 20 | PKE16M415 | 15, 16 | PKF16F734 | 26, 33 | PKF32G423 | 26, 33 | PKX16M425 | 15, 16 | PKY16F424 | 26, 32 |
| 83867 | 15, 20 | PKE16M423 | 15, 16 | PKF16F735 | 26, 33 | PKF32G434 | 26, 33 | PKX16M433 | 15, 16 | PKY16F425 | 26, 32 |
| 83870 | 15, 20 | PKE16M424 | 15, 16 | PKF16F744 | 26, 33 | PKF32G435 | 26, 33 | PKX16M434 | 15, 16 | PKY16F433 | 26, 32 |
| 83871 | 15, 20 | PKE16M425 | 15, 16 | PKF16F745 | 26, 33 | PKF32G723 | 26, 33 | PKX16M435 | 15, 16 | PKY16F434 | 26, 32 |
| 83880 | 15, 23 | PKE16M433 | 15, 16 | PKF16G413 | 26, 33 | PKF32G734 | 26, 33 | PKX16M444 | 15, 16 | PKY16F435 | 26, 32 |
| 83881 | 15, 23 | PKE16M434 | 15, 16 | PKF16G423 | 26, 33 | PKF32G735 | 26, 33 | PKX16M445 | 15, 16 | PKY16F444 | 26, 32 |
| 83899 | 15, 52, 55 | PKE16M435 | 15, 16 | PKF16G424 | 26, 33 | PKF32G735 | 26, 33 | PKX16M713 | 15, 16 | PKY16F445 | 26, 32 |
| 83901 | 15, 23 | PKE16M444 | 15, 16 | PKF16G433 | 26, 33 | PKF32M7C4 | 26, 53, 55 | PKX16M714 | 15, 16 | PKY16F713 | 26, 32 |
| 83902 | 15, 23 | PKE16M445 | 15, 16 | PKF16G434 | 26, 33 | PKF32M423 | 26, 28 | PKX16M715 | 15, 16 | PKY16F714 | 26, 32 |
| 83903 | 15, 23 | PKE16M713 | 15, 16 | PKF16G435 | 26, 33 | PKF32M424 | 26, 28 | PKX16M723 | 15, 16 | PKY16F715 | 26, 32 |
| 83906 | 15, 23 | PKE16M723 | 15, 16 | PKF16G723 | 26, 33 | PKF32M425 | 26, 28 | PKX16M724 | 15, 16 | PKY16F723 | 26, 32 |
| 83912 | 15, 23 | PKE16M724 | 15, 16 | PKF16G734 | 26, 33 | PKF32M434 | 26, 28 | PKX16M725 | 15, 16 | PKY16F724 | 26, 32 |
| 83913 | 15, 23 | PKE16M725 | 15, 16 | PKF16G735 | 26, 33 | PKF32M435 | 26, 28 | PKX16M733 | 15, 16 | PKY16F725 | 26, 32 |
| 83919 | 41, 46 | PKE16M734 | 15, 16 | PKF16G735 | 26, 33 | PKF32M445 | 26, 28 | PKX16M734 | 15, 16 | PKY16F733 | 26, 32 |
| 83920 | 41, 46 | PKE16M735 | 15, 16 | PKF16M414 | 26, 28 | PKF32M723 | 26, 28 | PKX16M735 | 15, 16 | PKY16F734 | 26, 32 |
| 83921 | 41, 47 | PKE16M745 | 15, 16 | PKF16M423 | 26, 28 | PKF32M724 | 26, 28 | PKX16M744 | 15, 16 | PKY16F735 | 26, 32 |
| 83922 | 41, 47 | PKE16W414 | 15, 18 | PKF16M424 | 26, 28 | PKF32M733 | 26, 28 | PKX16M745 | 15, 16 | PKY16F744 | 26, 32 |
| 83923 | 41, 47 | PKE16W423 | 15, 18 | PKF16M425 | 26, 28 | PKF32M734 | 26, 28 | PKX16W413 | 15, 18 | PKY16F745 | 26, 32 |
| 83924 | 41, 46 | PKE16W433 | 15, 18 | PKF16M433 | 26, 28 | PKF32M735 | 26, 28 | PKX16W414 | 15, 18 | PKY16G423 | 26, 32 |
| 83925 | 41, 50 | PKE16W434 | 15, 18 | PKF16M434 | 26, 28 | PKF32M744 | 26, 28 | PKX16W415 | 15, 18 | PKY16G434 | 26, 32 |
| 83925 | 41 | PKE16W435 | 15, 18 | PKF16M435 | 26, 28 | PKF32M745 | 26, 28 | PKX16W423 | 15, 18 | PKY16G435 | 26, 32 |
| 83926 | 41, 50 | PKE16W444 | 15, 18 | PKF16M723 | 26, 28 | PKF32W7C4 | 26, 53, 55 | PKX16W424 | 15, 18 | PKY16G714 | 26, 32 |
| 83926 | 41 | PKE16W445 | 15, 18 | PKF16M733 | 26, 28 | PKF32W413 | 26, 29 | PKX16W425 | 15, 18 | PKY16G723 | 26, 32 |
| 83927 | 41, 50 | PKE32M7C4 | 15, 52, 55 | PKF16M734 | 26, 28 | PKF32W414 | 26, 29 | PKX16W433 | 15, 18 | PKY16G725 | 26, 32 |
| 83933 | 20 | PKE32M413 | 15, 16 | PKF16M735 | 26, 28 | PKF32W415 | 26, 29 | PKX16W434 | 15, 18 | PKY16G734 | 26, 32 |
| 83934 | 20, 23 | PKE32M414 | 15, 16 | PKF16M744 | 26, 28 | PKF32W423 | 26, 29 | PKX16W435 | 15, 18 | PKY16G735 | 26, 32 |
| 83935 | 20, 23 | PKE32M423 | 15, 16 | PKF16M745 | 26, 28 | PKF32W424 | 26, 29 | PKX16W444 | 15, 18 | PKY16M413 | 26, 28 |
| 83936 | 20, 55 | PKE32M424 | 15, 16 | PKF16W413 | 26, 29 | PKF32W425 | 26, 29 | PKX16W445 | 15, 18 | PKY16M414 | 26, 28 |
| 83937 | 20 | PKE32M425 | 15, 16 | PKF16W414 | 26, 29 | PKF32W433 | 26, 29 | PKX32M7C4 | 15, 52, 55 | PKY16M415 | 26, 28 |
| | | PKE32M424 | 15, 16 | PKF16W415 | 26, 29 | PKF32W434 | 26, 29 | PKX32M413 | 15, 16 | PKY16M423 | 26, 28 |
| | | PKE32M425 | 15, 16 | PKF16W423 | 26, 29 | PKF32W435 | 26, 29 | PKX32M414 | 15, 16 | PKY16M424 | 26, 28 |
| PKB | | PKE32M433 | 15, 16 | PKF16W424 | 26, 29 | PKF32W444 | 26, 29 | PKX32M415 | 15, 16 | PKY16M425 | 26, 28 |
| PKB002 | 41, 46 | PKE32M434 | 15, 16 | PKF16W425 | 26, 29 | PKF32W445 | 26, 29 | PKX32M423 | 15, 16 | PKY16M433 | 26, 28 |
| PKB63P523 | 40, 43 | PKE32M435 | 15, 16 | PKF16W433 | 26, 29 | PKF32W723 | 26, 29 | PKX32M424 | 15, 16 | PKY16M434 | 26, 28 |
| PKB63P524 | 40, 43 | PKE32M444 | 15, 16 | PKF16W434 | 26, 29 | PKF32W724 | 26, 29 | PKX32M425 | 15, 16 | PKY16M435 | 26, 28 |
| PKB63P525 | 40, 43 | PKE32M445 | 15, 16 | PKF16W435 | 26, 29 | PKF32W733 | 26, 29 | PKX32M433 | 15, 16 | PKY16M444 | 26, 28 |
| PKB63P534 | 40, 43 | PKE32M723 | 15, 16 | PKF16W444 | 26, 29 | PKF32W734 | 26, 29 | PKX32M434 | 15, 16 | PKY16M445 | 26, 28 |
| PKB63P535 | 40, 43 | PKE32M724 | 15, 16 | PKF16W445 | 26, 29 | PKF32W735 | 26, 29 | PKX32M435 | 15, 16 | PKY16M713 | 26, 28 |
| PKB63P544 | 40, 43 | PKE32M734 | 15, 16 | PKF16W723 | 26, 29 | | | PKX32M444 | 15, 16 | PKY16M714 | 26, 28 |
| PKB63P545 | 40, 43 | PKE32M735 | 15, 16 | PKF16W724 | 26, 29 | | | PKX32M445 | 15, 16 | PKY16M715 | 26, 28 |

| Code | Page | Code | Page | |
|-----------|------------|------------|---------|----|
| PKY16M723 | 26, 28 | PKY32W435 | 26, 29 | |
| PKY16M724 | 26, 28 | PKZ | | |
| PKY16M725 | 26, 28 | | PKZ025 | 31 |
| PKY16M733 | 26, 28 | | PKZ032 | 31 |
| PKY16M734 | 26, 28 | | PKZ085 | 31 |
| PKY16M735 | 26, 28 | | PKZ100 | 31 |
| PKY16M744 | 26, 28 | | PKZA201 | 21 |
| PKY16M745 | 26, 28 | | PKZA202 | 21 |
| PKY16W423 | 26, 29 | | PKZA203 | 21 |
| PKY16W424 | 26, 29 | | PKZA204 | 21 |
| PKY16W434 | 26, 29 | | PKZM403 | 34 |
| PKY16W435 | 26, 29 | | PKZM406 | 34 |
| PKY32F7C4 | 26, 53, 55 | | PKZM409 | 34 |
| PKY32F413 | 26, 32 | | PKZM412 | 34 |
| PKY32F414 | 26, 32 | | PKZM413 | 34 |
| PKY32F415 | 26, 32 | | PKZM701 | 34 |
| PKY32F423 | 26, 32 | | PKZM703 | 34 |
| PKY32F424 | 26, 32 | | PKZM705 | 34 |
| PKY32F425 | 26, 32 | | PKZM706 | 34 |
| PKY32F433 | 26, 32 | | PKZM709 | 34 |
| PKY32F434 | 26, 32 | PKZM712 | 34 | |
| PKY32F435 | 26, 32 | PKZM713 | 34 | |
| PKY32F444 | 26, 32 | | | |
| PKY32F445 | 26, 32 | | | |
| PKY32F713 | 26, 32 | | | |
| PKY32F714 | 26, 32 | | | |
| PKY32F715 | 26, 32 | | | |
| PKY32F723 | 26, 32 | | | |
| PKY32F724 | 26, 32 | | | |
| PKY32F725 | 26, 32 | | | |
| PKY32F733 | 26, 32 | | | |
| PKY32F734 | 26, 32 | | | |
| PKY32F735 | 26, 32 | | | |
| PKY32F744 | 26, 32 | | | |
| PKY32F745 | 26, 32 | | | |
| PKY32G423 | 26, 32 | | | |
| PKY32G434 | 26, 32 | | | |
| PKY32G435 | 26, 32 | | | |
| PKY32G444 | 26, 32 | | | |
| PKY32G445 | 26, 32 | | | |
| PKY32G723 | 26, 32 | | | |
| PKY32G734 | 26, 32 | | | |
| PKY32G735 | 26, 32 | | | |
| PKY32M7C4 | 26, 53, 55 | | | |
| PKY32M413 | 26, 28 | | | |
| PKY32M414 | 26, 28 | | | |
| PKY32M415 | 26, 28 | | | |
| PKY32M423 | 26, 28 | | | |
| PKY32M424 | 26, 28 | | | |
| PKY32M425 | 26, 28 | | | |
| PKY32M433 | 26, 28 | | | |
| PKY32M434 | 26, 28 | | | |
| PKY32M435 | 26, 28 | | | |
| PKY32M444 | 26, 28 | | | |
| PKY32M445 | 26, 28 | | | |
| PKY32M713 | 26, 28 | | | |
| PKY32M714 | 26, 28 | | | |
| PKY32M715 | 26, 28 | | | |
| PKY32M723 | 26, 28 | | | |
| PKY32M724 | 26, 28 | | | |
| PKY32M725 | 26, 28 | | | |
| PKY32M733 | 26, 28 | | | |
| PKY32M734 | 26, 28 | | | |
| PKY32M735 | 26, 28 | | | |
| PKY32M744 | 26, 28 | | | |
| PKY32M745 | 26, 28 | | | |
| PKY32W423 | 26, 29 | | | |
| PKY32W434 | 26, 29 | | | |



Life Is On | **Schneider**
Electric

35, rue Joseph Monier
CS 30323
92506 Rueil Malmaison Cedex
France

RCS Nanterre 954 503 439
Capital social 896 313 776 €
www.schneider-electric.com

06/2022
FLVED208001EN

© 2022 - Schneider Electric. All Rights Reserved.
All trademarks are owned by Schneider Electric Industries SAS or its affiliated companies.

This document has been
printed on recycled paper

