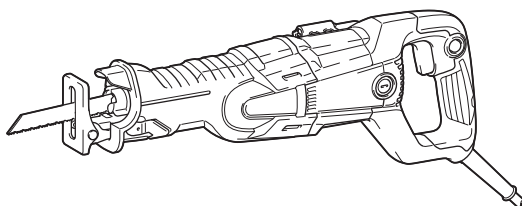
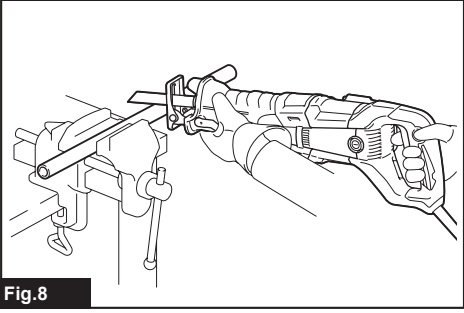
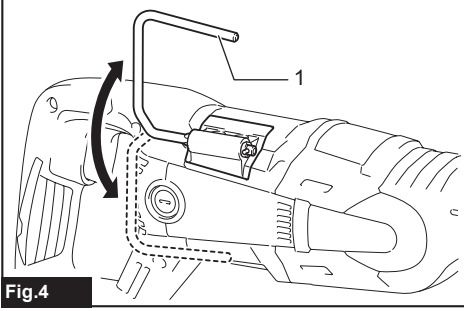
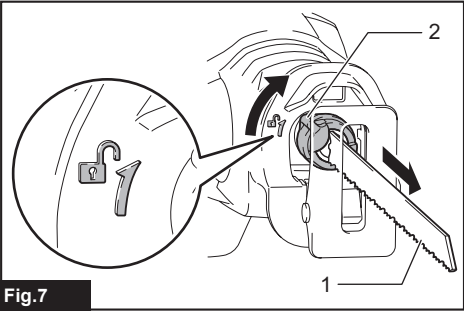
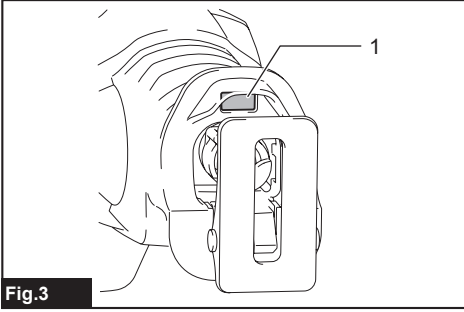
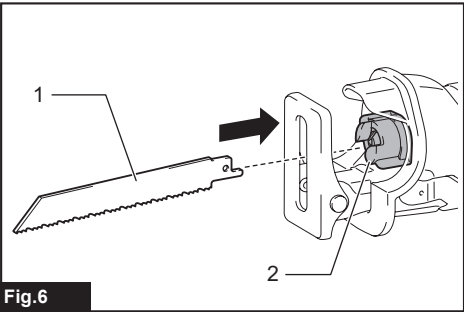
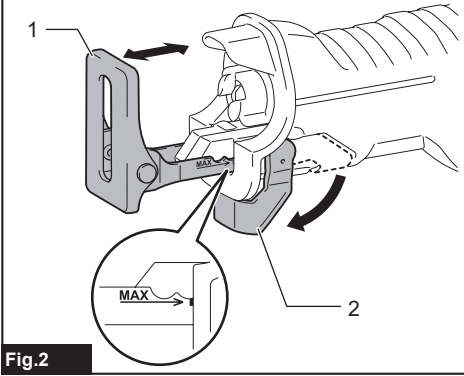
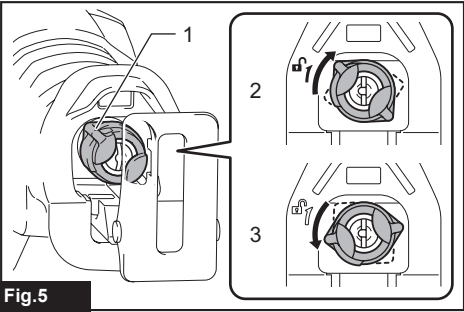
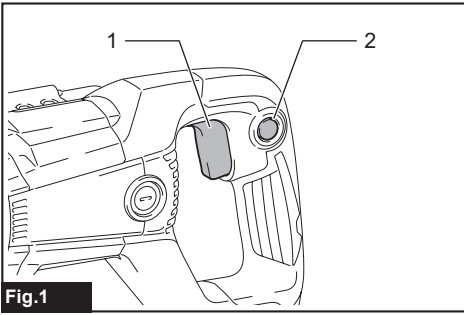




| | | | |
|-------------|--|---------------------|----|
| EN | Recipro Saw | INSTRUCTION MANUAL | 4 |
| ZHCN | 往复锯 | 使用说明书 | 9 |
| ID | Gergaji Reciprocating | PETUNJUK PENGGUNAAN | 14 |
| MS | Gergaji Recipro | MANUAL ARAHAN | 20 |
| VI | Máy Cưa Kiếm Cầm Tay Hoạt Động Bằng Động Cơ Điện | TÀI LIỆU HƯỚNG DẪN | 26 |
| TH | เลื่อยอเนกประสงค์ | คู่มือการใช้งาน | 31 |

JR3061T





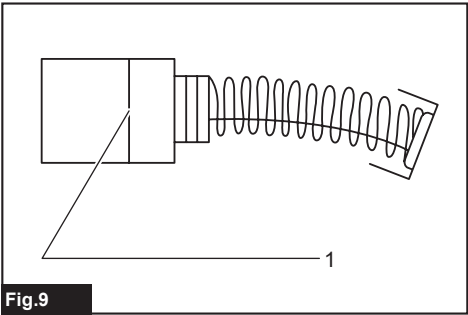


Fig.9

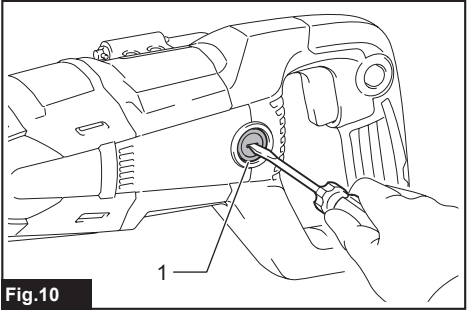


Fig.10

SPECIFICATIONS

| | | |
|-------------------------|--------------------------|-----------------------------|
| Model: | | JR3061T |
| Length of stroke | | 32 mm |
| Strokes per minute | | 0 - 3,000 min ⁻¹ |
| Max. cutting capacities | Pipe (with 300 mm blade) | 130 mm |
| | Wood (with 305 mm blade) | 255 mm |
| Overall length | | 487 mm |
| Net weight | | 3.8 kg |
| Safety class | | □/II |

- Due to our continuing program of research and development, the specifications herein are subject to change without notice.
- Specifications may differ from country to country.
- Weight according to EPTA-Procedure 01/2014

Symbols

The followings show the symbols which may be used for the equipment. Be sure that you understand their meaning before use.



Read instruction manual.



DOUBLE INSULATION



Only for EU countries
 Due to the presence of hazardous components in the equipment, used electrical and electronic equipment may have a negative impact on the environment and human health.
 Do not dispose of electrical and electronic appliances with household waste!
 In accordance with the European Directive on waste electrical and electronic equipment and its adaptation to national law, used electrical and electronic equipment should be collected separately and delivered to a separate collection point for municipal waste, operating in accordance with the environmental protection regulations.
 This is indicated by the symbol of the crossed-out wheeled bin placed on the equipment.

Intended use

The tool is intended for sawing wood, plastic, metal and building materials with a strong impact. It is suitable for straight and curved cutting.

Power supply

The tool should be connected only to a power supply of the same voltage as indicated on the nameplate, and can only be operated on single-phase AC supply. They are double-insulated and can, therefore, also be used from sockets without earth wire.

SAFETY WARNINGS

General power tool safety warnings

⚠WARNING: Read all safety warnings, instructions, illustrations and specifications provided with this power tool. Failure to follow all instructions listed below may result in electric shock, fire and/or serious injury.

Save all warnings and instructions for future reference.

The term "power tool" in the warnings refers to your mains-operated (corded) power tool or battery-operated (cordless) power tool.

Work area safety

1. **Keep work area clean and well lit.** Cluttered or dark areas invite accidents.
2. **Do not operate power tools in explosive atmospheres, such as in the presence of flammable liquids, gases or dust.** Power tools create sparks which may ignite the dust or fumes.
3. **Keep children and bystanders away while operating a power tool.** Distractions can cause you to lose control.

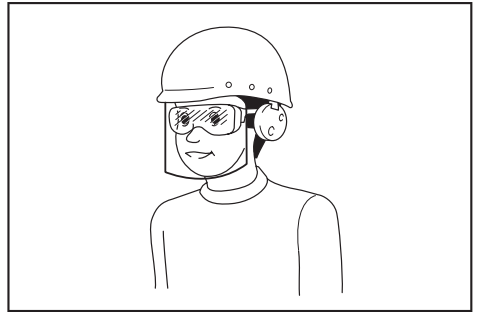
Electrical safety

1. **Power tool plugs must match the outlet. Never modify the plug in any way. Do not use any adapter plugs with earthed (grounded) power tools.** Unmodified plugs and matching outlets will reduce risk of electric shock.
2. **Avoid body contact with earthed or grounded surfaces, such as pipes, radiators, ranges and refrigerators.** There is an increased risk of electric shock if your body is earthed or grounded.
3. **Do not expose power tools to rain or wet conditions.** Water entering a power tool will increase the risk of electric shock.
4. **Do not abuse the cord. Never use the cord for carrying, pulling or unplugging the power tool. Keep cord away from heat, oil, sharp edges or moving parts.** Damaged or entangled cords increase the risk of electric shock.
5. **When operating a power tool outdoors, use an extension cord suitable for outdoor use.** Use of a cord suitable for outdoor use reduces the risk of electric shock.
6. **If operating a power tool in a damp location is unavoidable, use a residual current device (RCD) protected supply.** Use of an RCD reduces the risk of electric shock.
7. **Use of power supply via an RCD with a rated residual current of 30 mA or less is always recommended.**
8. **Power tools can produce electromagnetic fields (EMF) that are not harmful to the user.** However, users of pacemakers and other similar medical devices should contact the maker of their device and/or doctor for advice before operating this power tool.
9. **Do not touch the power plug with wet hands.**
10. **If the cord is damaged, have it replaced by the manufacturer or his agent in order to avoid a safety hazard.**

Personal safety

1. **Stay alert, watch what you are doing and use common sense when operating a power tool. Do not use a power tool while you are tired or under the influence of drugs, alcohol or medication.** A moment of inattention while operating power tools may result in serious personal injury.
2. **Use personal protective equipment. Always wear eye protection.** Protective equipment such as a dust mask, non-skid safety shoes, hard hat or hearing protection used for appropriate conditions will reduce personal injuries.
3. **Prevent unintentional starting. Ensure the switch is in the off-position before connecting to power source and/or battery pack, picking up or carrying the tool.** Carrying power tools with your finger on the switch or energising power tools that have the switch on invites accidents.
4. **Remove any adjusting key or wrench before turning the power tool on.** A wrench or a key left attached to a rotating part of the power tool may result in personal injury.
5. **Do not overreach. Keep proper footing and balance at all times.** This enables better control of the power tool in unexpected situations.

6. **Dress properly. Do not wear loose clothing or jewellery. Keep your hair and clothing away from moving parts.** Loose clothes, jewellery or long hair can be caught in moving parts.
7. **If devices are provided for the connection of dust extraction and collection facilities, ensure these are connected and properly used.** Use of dust collection can reduce dust-related hazards.
8. **Do not let familiarity gained from frequent use of tools allow you to become complacent and ignore tool safety principles.** A careless action can cause severe injury within a fraction of a second.
9. **Always wear protective goggles to protect your eyes from injury when using power tools. The goggles must comply with ANSI Z87.1 in the USA, EN 166 in Europe, or AS/NZS 1336 in Australia/New Zealand. In Australia/New Zealand, it is legally required to wear a face shield to protect your face, too.**



It is an employer's responsibility to enforce the use of appropriate safety protective equipments by the tool operators and by other persons in the immediate working area.

Power tool use and care

1. **Do not force the power tool. Use the correct power tool for your application.** The correct power tool will do the job better and safer at the rate for which it was designed.
2. **Do not use the power tool if the switch does not turn it on and off.** Any power tool that cannot be controlled with the switch is dangerous and must be repaired.
3. **Disconnect the plug from the power source and/or remove the battery pack, if detachable, from the power tool before making any adjustments, changing accessories, or storing power tools.** Such preventive safety measures reduce the risk of starting the power tool accidentally.
4. **Store idle power tools out of the reach of children and do not allow persons unfamiliar with the power tool or these instructions to operate the power tool.** Power tools are dangerous in the hands of untrained users.
5. **Maintain power tools and accessories. Check for misalignment or binding of moving parts, breakage of parts and any other condition that may affect the power tool's operation. If damaged, have the power tool repaired before use.** Many accidents are caused by poorly maintained power tools.

6. **Keep cutting tools sharp and clean.** Properly maintained cutting tools with sharp cutting edges are less likely to bind and are easier to control.
 7. **Use the power tool, accessories and tool bits etc. in accordance with these instructions, taking into account the working conditions and the work to be performed.** Use of the power tool for operations different from those intended could result in a hazardous situation.
 8. **Keep handles and grasping surfaces dry, clean and free from oil and grease.** Slippery handles and grasping surfaces do not allow for safe handling and control of the tool in unexpected situations.
 9. **When using the tool, do not wear cloth work gloves which may be entangled.** The entanglement of cloth work gloves in the moving parts may result in personal injury.
14. **Always use the correct dust mask/respirator for the material and application you are working with.**
 15. **Some material contains chemicals which may be toxic. Take caution to prevent dust inhalation and skin contact. Follow material supplier safety data.**
 16. **Before operation, make sure that there is no buried object such as electric pipe, water pipe or gas pipe in the workpiece.** Otherwise, the reciprocating saw blade may touch them, resulting in an electric shock, electrical leakage or gas leak.

SAVE THESE INSTRUCTIONS.

⚠ WARNING: DO NOT let comfort or familiarity with product (gained from repeated use) replace strict adherence to safety rules for the subject product. MISUSE or failure to follow the safety rules stated in this instruction manual may cause serious personal injury.

Service

1. **Have your power tool serviced by a qualified repair person using only identical replacement parts.** This will ensure that the safety of the power tool is maintained.
2. **Follow instruction for lubricating and changing accessories.**

Recipro saw safety warnings

1. **Hold the power tool by insulated gripping surfaces, when performing an operation where the cutting accessory may contact hidden wiring or its own cord.** Cutting accessory contacting a “live” wire may make exposed metal parts of the power tool “live” and could give the operator an electric shock.
2. **Use clamps or another practical way to secure and support the workpiece to a stable platform.** Holding the workpiece by hand or against your body leaves it unstable and may lead to loss of control.
3. **Always use safety glasses or goggles.** Ordinary eye or sun glasses are NOT safety glasses.
4. **Avoid cutting nails. Inspect workpiece for any nails and remove them before operation.**
5. **Do not cut oversize workpiece.**
6. **Check for the proper clearance beyond the workpiece before cutting so that the blade will not strike the floor, workbench, etc.**
7. **Hold the tool firmly.**
8. **Make sure the blade is not contacting the workpiece before the switch is turned on.**
9. **Keep hands away from moving parts.**
10. **Do not leave the tool running. Operate the tool only when hand-held.**
11. **Always switch off and wait for the blade to come to a complete stop before removing the blade from the workpiece.**
12. **Do not touch the blade or the workpiece immediately after operation; they may be extremely hot and could burn your skin.**
13. **Do not operate the tool at no-load unnecessarily.**

FUNCTIONAL DESCRIPTION

⚠ CAUTION: Always be sure that the tool is switched off and unplugged before adjusting or checking function on the tool.

Switch action

⚠ WARNING: Before plugging in the tool, always check to see that the switch trigger actuates properly and returns to the “OFF” position when released.

⚠ WARNING: Switch can be locked in “ON” position for ease of operator comfort during extended use. Apply caution when locking tool in “ON” position and maintain firm grasp on tool.

⚠ CAUTION: Return the switch trigger to the “OFF” position in case of accidental unplugging, blackout, or the power is cut unintentionally. Otherwise the tool may start suddenly when the power returns and it may result in personal injury.

To start the tool, simply pull the switch trigger. Tool speed is increased by increasing pressure on the switch trigger. Release the switch trigger to stop. For continuous operation, pull the switch trigger and then push in the lock button. To stop the tool from the locked position, pull the switch trigger fully, then release it.

► Fig.1: 1. Switch trigger 2. Lock button

Adjusting the shoe

When the reciprocating saw blade loses its cutting efficiency in one place along its cutting edge, reposition the shoe to utilize a sharp, unused portion of its cutting edge. This will help to lengthen the life of the reciprocating saw blade.

The position of the shoe can be adjusted in five levels. To reposition the shoe, open the shoe adjusting lever and select the suitable position, then close the shoe adjusting lever.

► **Fig.2:** 1. Shoe 2. Shoe adjusting lever

NOTICE: The shoe cannot be secured if it is extended more than the **■** marking of **MAX** → **!** stamping. Do not close the shoe adjusting lever forcibly in such a position. It may result in breakage of the lever.

NOTE: The shoe cannot be adjusted without opening the shoe adjusting lever fully.

Lighting up the front lamp

► **Fig.3:** 1. Lamp

CAUTION: Do not look in the light or see the source of light directly.

To turn on the lamp, pull the switch trigger. Release the switch trigger to turn it off.

NOTE: Use a dry cloth to wipe the dirt off the lens of the lamp. Be careful not to scratch the lens of lamp, or it may lower the illumination.

Hook

CAUTION: Always be sure that the tool is switched off and unplugged when hanging the tool.

CAUTION: Never hang the tool at high or potentially unstable location.

CAUTION: Do not hook the tool on your belt or other accessories. The reciprocating saw blade may contact your body and cause personal injury.

► **Fig.4:** 1. Hook

The hook is convenient for hanging the tool temporarily. To use the hook, simply lift up hook until it snaps into the open position.



When not in use, always lower hook until it snaps into the closed position.

ASSEMBLY

CAUTION: Always be sure that the tool is switched off and unplugged before carrying out any work on the tool.

Installing or removing the reciprocating saw blade

CAUTION: Always clean out all chips or foreign matter adhering to the blade and around the blade clamp. Failure to do so may cause insufficient tightening of the blade, resulting in a serious injury.


To install the reciprocating saw blade, always make sure that the blade clamp lever (part of the blade clamp sleeve) is in released position  on the insulation cover before inserting the reciprocating saw blade. If the blade clamp lever is in fixed position, rotate the blade clamp lever in the direction of the arrow so that it can be locked at the released position .

► **Fig.5:** 1. Blade clamp lever 2. Released position 3. Fixed position

Insert the reciprocating saw blade into the blade clamp as far as it will go. The blade clamp sleeve rotates and fixes the reciprocating saw blade. Make sure that the reciprocating saw blade cannot be extracted even though you try to pull it out.



► **Fig.6:** 1. Reciprocating saw blade 2. Blade clamp sleeve

CAUTION: If you do not insert the reciprocating saw blade deep enough, the reciprocating saw blade may be ejected unexpectedly during operation. This can be extremely dangerous.

To remove the reciprocating saw blade, rotate the blade clamp lever in the direction of the arrow fully. The reciprocating saw blade is removed and the blade clamp lever is fixed at the released position .

► **Fig.7:** 1. Reciprocating saw blade 2. Blade clamp lever

CAUTION: Keep hands and fingers away from the lever during the switching operation. Failure to do so may cause personal injuries.

NOTE: If you remove the reciprocating saw blade without rotating the blade clamp lever fully, the lever may not be locked in the released position . In this case, rotate the blade clamp lever fully again, then make sure that the blade clamp lever is locked at the released position .

NOTE: If the blade clamp lever is positioned inside the tool, switch on the tool just a second to let the blade out. Unplug the tool before installing or removing the reciprocating saw blade.

OPERATION

⚠ CAUTION: Always hold the tool firmly with one hand on insulation cover and the other on the switch handle.

⚠ CAUTION: Always press the shoe firmly against the workpiece during operation. If the shoe is removed or held away from the workpiece during operation, strong vibration and/or twisting will be produced, causing the blade to snap dangerously.

⚠ CAUTION: Always wear gloves to protect your hands from hot flying chips when cutting metal.

⚠ CAUTION: Be sure to always wear suitable eye protection which conforms with current national standards.

⚠ CAUTION: Always use a suitable coolant (cutting oil) when cutting metal. Failure to do so will cause premature blade wear.

⚠ CAUTION: Do not quirk the blade during cutting.

Press the shoe firmly against the workpiece. Do not allow the tool to bounce. Bring the recipro saw blade into light contact with the workpiece. First, make a pilot groove using a slower speed. Then use a faster speed to continue cutting.

▶ Fig.8

NOTICE: Do not cut the workpiece with the shoe away from the workpiece or without the shoe.

Doing so increases the reaction force which may break the recipro saw blade.

MAINTENANCE

⚠ CAUTION: Always be sure that the tool is switched off and unplugged before attempting to perform inspection or maintenance.

NOTICE: Never use gasoline, benzine, thinner, alcohol or the like. Discoloration, deformation or cracks may result.

To maintain product SAFETY and RELIABILITY, repairs, any other maintenance or adjustment should be performed by Makita Authorized or Factory Service Centers, always using Makita replacement parts.

Replacing carbon brushes

▶ Fig.9: 1. Limit mark

Check the carbon brushes regularly. Replace them when they wear down to the limit mark. Keep the carbon brushes clean and free to slip in the holders. Both carbon brushes should be replaced at the same time. Use only identical carbon brushes.

1. Use a screwdriver to remove the brush holder caps.
2. Take out the worn carbon brushes, insert the new ones and secure the brush holder caps.

▶ Fig.10: 1. Brush holder cap

OPTIONAL ACCESSORIES

⚠ CAUTION: These accessories or attachments are recommended for use with your Makita tool specified in this manual. The use of any other accessories or attachments might present a risk of injury to persons. Only use accessory or attachment for its stated purpose.

If you need any assistance for more details regarding these accessories, ask your local Makita Service Center.

- Recipro saw blades
- Plastic carrying case

NOTE: Some items in the list may be included in the tool package as standard accessories. They may differ from country to country.

规格

| | | |
|--------|-------------------|--------|
| 型号: | JR3061T | |
| 冲程长度 | 32 mm | |
| 冲程速度 | 0 - 3,000 /min | |
| 最大切割能力 | 管材 (300 mm 锯片) | 130 mm |
| | 木材 (305 mm 锯片) | 255 mm |
| 长度 | 487 mm | |
| 净重 | 3.8 kg | |
| 安全等级 | 回/II | |

- 生产者保留变更规格不另行通知之权利。
- 规格可能因销往国家之不同而异。
- 重量符合EPTA-Procedure 01/2014

符号

以下显示本设备可能会使用的符号。在使用工具之前，请务必理解其含义。



阅读使用说明书。



II类工具



仅限于欧盟国家
由于本设备中包含有害成分，因此使用过的电气和电子设备可能会对环境和人体健康产生负面影响。
请勿将电气和电子工具与家庭普通废弃物放在一起处置！
根据欧洲关于废弃电气电子设备的指令及其国家层面的修订法案，使用过的电气和电子设备应当单独收集并递送至城市垃圾收集点，根据环保规定进行处置。
此规定由标有叉形标志的带轮垃圾桶符号表示。

用途

本工具可锯木材、塑料及铁质材料。

电源

本工具只可连接电压与铭牌所示电压相同的电源，且仅可使用单相交流电源。本工具双重绝缘，因此也可用于不带接地线的插座。

安全警告

电动工具通用安全警告

警告： 阅读随电动工具提供的所有安全警告、说明、图示和规定。不遵照以下所列说明会导致电击、着火和 / 或严重伤害。

保存所有警告和说明书以备查阅。

警告中的术语“电动工具”是指市电驱动（有线）电动工具或电池驱动（无线）电动工具。

工作场地的安全

1. 保持工作场地清洁和明亮。杂乱和黑暗的场地会引发事故。
2. 不要在易爆环境，如有易燃液体、气体或粉尘的环境下操作电动工具。电动工具产生的火花会点燃粉尘或气体。
3. 操作电动工具时，远离儿童和旁观者。注意力不集中会使你失去对工具的控制。

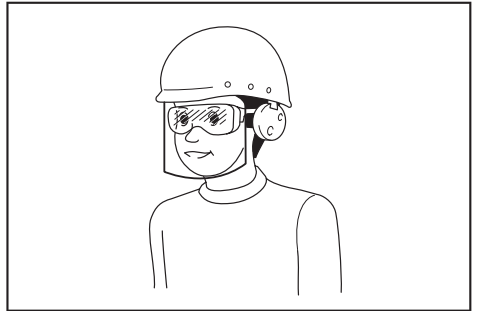
电气安全

1. 电动工具插头必须与插座相配。绝不能以任何方式改装插头。需接地的电动工具不能使用任何转换插头。未经改装的插头和相配的插座将降低电击风险。
2. 避免人体接触接地表面，如管道、散热片和冰箱。如果你身体接触接地表面会增加电击风险。
3. 不得将电动工具暴露在雨中或潮湿环境中。水进入电动工具将增加电击风险。
4. 不得滥用软线。绝不能用软线搬运、拉动电动工具或拔出其插头。使软线远离热源、油、锐边或运动部件。受损或缠绕的软线会增加电击风险。
5. 当在户外使用电动工具时，使用适合户外使用的延长线。适合户外使用的电线将降低电击风险。
6. 如果无法避免在潮湿环境中操作电动工具，应使用带有剩余电流装置（RCD）保护的电源。RCD的使用可降低电击风险。
7. 始终建议通过额定剩余电流为**30 mA**或以下的**RCD**来使用电源。
8. 电动工具会产生对用户无害的电磁场（EMF）。但是，起搏器和其他类似医疗设备的用户应在操作本电动工具前咨询其设备的制造商和/或医生寻求建议。
9. 请勿用湿手触摸电源插头。
10. 如果导线破损，则由制造商或其代理商更换以避免安全隐患。

人身安全

1. 保持警觉，当操作电动工具时关注所从事的操作并保持清醒。当你感到疲倦，或在有药物、酒精或治疗反应时，不要操作电动工具。在操作电动工具时瞬间的疏忽会导致严重人身伤害。
2. 使用个人防护装置。始终佩戴护目镜。防护装置，诸如适当条件下使用防尘面具、防滑安全鞋、安全帽、听力防护等装置能减少人身伤害。
3. 防止意外起动。在连接电源和/或电池包、拿起或搬运工具前确保开关处于关断位置。手指放在开关上搬运工具或开关处于接通时通电会导致危险。
4. 在电动工具接通之前，拿掉所有调节钥匙或扳手。遗留在电动工具旋转零件上的扳手或钥匙会导致人身伤害。
5. 手不要过分伸展。时刻注意立足点和身体平衡。这样能在意外情况下能更好地控制住电动工具。

6. 着装适当。不要穿宽松衣服或佩戴饰品。让你的头发和衣服远离运动部件。宽松衣服、佩饰或长发可能会卷入运动部件。
7. 如果提供了与排屑、集尘设备连接用的装置，要确保其连接完好且使用得当。使用集尘装置可降低尘屑引起的危险。
8. 不要因为频繁使用工具而产生的熟悉感而掉以轻心，忽视工具的安全准则。某个粗心的动作可能在瞬间导致严重的伤害。
9. 使用电动工具时请始终佩戴护目镜以免伤害眼睛。护目镜须符合美国**ANSI Z87.1**、欧洲**EN 166**或者澳大利亚/新西兰的**AS/NZS 1336**的规定。在澳大利亚/新西兰，法律要求佩戴面罩保护脸部。



雇主有责任监督工具操作者和其他近工作区域人员佩戴合适的安全防护设备。

电动工具使用和注意事项

1. 不要勉强使用电动工具，根据用途使用合适的电动工具。选用合适的按照额定值设计的电动工具会使你工作更有效、更安全。
2. 如果开关不能接通或关断电源，则不能使用该电动工具。不能通过开关来控制的电动工具是危险的且必须进行修理。
3. 在进行任何调节、更换附件或贮存电动工具之前，必须从电源上拔掉插头和/或卸下电池包（如可拆卸）。这种防护性的安全措施降低了电动工具意外起动的风险。
4. 将闲置不用的电动工具贮存在儿童所及范围之外，并且不允许不熟悉电动工具和不了解这些说明的人操作电动工具。电动工具在未经培训的使用者手中是危险的。
5. 维护电动工具及其附件。检查运动部件是否调整到位或卡住，检查零件破损情况和影响电动工具运行的其他状况。如有损坏，应在使用前修理好电动工具。许多事故是由维护不良的电动工具引发的。

- 保持切削刀具锋利和清洁。维护良好地有锋利切削刃的刀具不易卡住而且容易控制。
- 按照使用说明书，并考虑作业条件和要进行的作业来选择电动工具、附件和工具的刀头等。将电动工具用于那些与其用途不符的操作可能会导致危险情况。
- 保持手柄和握持表面干燥、清洁，不得沾有油脂。在意外的情况下，湿滑的手柄不能保证握持的安全和对工具的控制。
- 使用本工具时，请勿佩戴可能会缠绕的布质工作手套。布质工作手套卷入移动部件可能会造成人身伤害。
- 根据您操作的材料及应用，请务必使用正确的防尘面罩/呼吸器。
- 某些材料含有有毒化学物质。小心不要吸入粉尘，并避免皮肤接触。遵循材料供应商的安全提示。
- 操作前，请务必保证工件内无埋藏物，例如电气配管、水管或气体管。否则，往复锯锯片可能会触及上述部件，引发触电、漏电或漏气。

维修

- 由专业维修人员使用相同的备件维修电动工具。这将保证所维修的电动工具的安全。
- 上润滑油及更换附件时请遵循本说明书指示。

往复锯使用安全警告

- 在切削附件可能触及暗线或其自身软线之处进行操作时，要通过绝缘握持面来握持工具。切削附件碰到带电导线会使工具外露的金属零件带电从而使操作者受到电击。
- 请使用螺丝钳或其他可行的方式将工件夹紧并固定在稳定的平台上。手持工件或将工件抵在身上，可能会导致工件摆放不稳，使工具失去控制。
- 请使用安全眼镜或护目镜。普通眼镜或太阳眼镜并非安全眼镜。
- 注意不要切割到铁钉。操作前请检查工件上是否有铁钉并将其清除。
- 请勿切割尺寸过大的工件。
- 切割作业前请检查确认已在工件周围留出合适的间隙，以免切割时锯片接触到地板或工作台等物体。
- 请牢握本工具。
- 打开开关前，请确认锯片未与工件接触。
- 手应远离移动的部件。
- 运行中的工具不可离手放置。只可在手握工具的情况下操作工具。
- 将锯片从工件上取下之前，请务必关闭工具电源并等待锯片完全停止。
- 操作之后，请勿立刻触摸锯片或工件，因为它们可能会非常烫而导致烫伤皮肤。
- 如无必要，请勿在空载状态下操作工具。

请保留此说明书。

警告： 请勿为图方便或因对产品足够熟悉（由于重复使用而获得的经验）而不严格遵循相关产品安全规则。使用不当或不遵循使用说明书中的安全规则会导致严重的人身伤害。

功能描述

小心： 在调节或检查工具功能之前，请务必关闭工具电源开关并拔下电源插头。

开关操作

警告： 插上工具电源插头之前，请务必确认开关扳机能够正常工作，松开时能回到“OFF”（关闭）位置。

警告： 长时间使用时，可将开关锁定在“ON”（开启）位置，使操作更加舒适。将工具锁定在“ON”（开启）位置时请小心，务必牢固抓握工具。

小心： 插头意外脱落、停电或突然断电时，请将开关扳机恢复至“OFF”（关闭）位置。否则恢复电源时工具会突然启动并且可能造成人身伤害。

启动工具时，只要扣动开关扳机即可。随着在开关扳机上施加压力的增大，工具速度会提高。松开开关扳机工具即停止。连续操作时，扣动开关扳机并按下锁定按钮。要从锁定位置停止工具时，可将开关扳机扣到底，然后松开。

► **图片1： 1. 开关扳机 2. 锁止按钮**

调节导靴

当往复锯锯片切割边的一处变钝时，请重新放置导靴以利用锯片切割边锐利、未使用的部分。这将有助于延长往复锯锯片的使用寿命。

导靴的位置可分五级进行调整。

要重新放置导靴，请打开导靴调节杆并选择合适的位置，然后闭合导靴调节杆。

► **图片2:** 1. 导靴 2. 导靴调节杆

注意： 如果超过 **MAX** → 踩踏的 ■ 标记，则无法固定导靴。请勿在此位置强行关闭导靴调节杆。否则可能会导致杆破裂。

注： 不可在没有完全打开导靴调节杆的情况下调节导靴。

点亮前灯

► **图片3:** 1. 照明灯

小心： 请勿直视灯光或光源。

扣动开关扳机打开照明灯。松开开关扳机关闭照明灯。

注： 请使用干布擦拭灯头灰。注意不要刮花灯头，否则会降低亮度。

挂钩

小心： 悬挂工具时请务必确认机器已关闭且已拔下电源插头。

小心： 切勿将工具悬挂在高处或可能不稳固的位置。

小心： 请勿将工具悬挂在您的腰带或其他配件上。往复锯锯片可能会接触您的身体并导致人身伤害。

► **图片4:** 1. 挂钩

挂钩便于临时悬挂工具。

要使用挂钩时，只需提起挂钩使其咬在打开位置即可。



不使用时，务必压低挂钩使其咬在关闭位置。

装配

小心： 对工具进行任何装配操作前请务必确认机器已关闭且已拔下电源插头。

安装或拆卸往复锯锯片

小心： 清除全部碎屑以及附着在锯片和锯片夹旁的异物。否则可能会导致锯片紧固不足，从而导致严重人身伤害。


要安装复锯锯片时，请务必确保在插入复锯锯片前锯片夹杆（锯片夹套筒部分）位于绝缘盖上的释放位置。如果锯片夹杆位于固定位置时，请沿箭头方向旋转锯片夹杆，使其锁定在释放位置。

► **图片5:** 1. 锯片夹杆 2. 释放位置 3. 固定位置

尽量将往复锯锯片插入锯片夹到底。锯片夹套筒旋转，固定往复锯锯片。请确保往复锯锯片无法被您拔出。



► **图片6:** 1. 往复锯锯片 2. 锯片夹套筒

小心： 如果未将锯片插入到底，操作期间锯片可能会意外弹出。这样会非常危险。

要拆卸往复锯锯片时，请沿箭头方向将锯片夹杆旋转到底。这样即会卸下往复锯锯片并使锯片夹杆固定在释放位置。

► **图片7:** 1. 往复锯锯片 2. 锯片夹杆

小心： 切换期间，请使手或手指远离杆。否则可能会导致人身伤害。

注： 如果不完全旋转锯片夹杆即拆下往复锯锯片，杆可能不会锁定在释放位置。此时，请再次完全旋转锯片夹杆，然后确保锯片夹杆锁定在释放位置。

注： 如果锯片夹杆位于工具内，请启动工具片刻，以便锯片从工具内退出。安装或拆卸往复锯锯片前，请拔下工具电源插头。

操作

⚠️小心： 请务必用一只手握住绝缘盖，另一只手握在开关手柄上将工具握紧。

⚠️小心： 操作期间，请务必将导靴牢牢固定在工件上。如果导靴在操作期间脱离工件，将产生剧烈的震动和/或扭曲，会导致锯片折断，十分危险。

⚠️小心： 切割金属时，请务必佩戴手套，以保护您免受灼热飞溅碎片的伤害。

⚠️小心： 请务必佩戴符合当前国家标准的安全眼镜。

⚠️小心： 切割金属时，请务必使用合适的冷却液（切割油）。否则会导致锯片过早磨损。

⚠️小心： 切割时切勿急转锯片。

将导靴牢牢固定在工件上。请勿使工具弹跳。使往复锯锯片略微与工件接触。首先，请使用低速切割出一道导槽。然后使用较快的速度继续进行切割。

► 图片8

注意： 请勿在导靴离开工件或无导靴的情况下切割工件。否则可能会增大反作用力，从而导致往复锯锯片破裂。

保养

⚠️小心： 检查或保养工具之前，请务必关闭工具电源开关并拔下插头。

注意： 切勿使用汽油、苯、稀释剂、酒精或类似物品清洁工具。否则可能会导致工具变色、变形或出现裂缝。

为了保证产品的安全与可靠性，维修、任何其他维修保养或调节需由Makita（牧田）授权的或工厂维修服务中心完成。务必使用Makita（牧田）的替换部件。

更换碳刷

► 图片9： 1. 界限磨损线

定期检查碳刷。

在碳刷磨损到界限磨损线时进行更换。请保持碳刷清洁并使其在碳刷夹内能自由滑动。两个碳刷应同时替换。请仅使用相同的碳刷。

1. 使用螺丝起子拆下碳刷夹盖。

2. 取出已磨损的碳刷，插入新的碳刷，然后紧固碳刷夹盖。

► 图片10： 1. 碳刷夹盖

选购附件

⚠️小心： 这些附件或装置专用于本说明书所列的Makita（牧田）工具。如使用其他厂牌附件或装置，可能导致人身伤害。仅可将附件或装置用于规定目的。

如果您需要了解更多关于这些选购附件的信息，请咨询当地的Makita（牧田）维修服务中心。

- 往复锯锯片
- 塑料携带箱

注： 本列表中的一些部件可能作为标准配件包含于工具包装内。它们可能因销往国家之不同而异。

SPEKIFIKASI

| | | |
|----------------------------|---------------------------------|-----------------------------|
| Model: | | JR3061T |
| Panjang langkah | | 32 mm |
| Langkah per menit | | 0 - 3.000 min ⁻¹ |
| Kapasitas pemotongan maks. | Pipa (dengan mata pisau 300 mm) | 130 mm |
| | Kayu (dengan mata pisau 305 mm) | 255 mm |
| Panjang keseluruhan | | 487 mm |
| Berat bersih | | 3,8 kg |
| Kelas keamanan | | □/II |

- Karena kesinambungan program penelitian dan pengembangan kami, spesifikasi yang disebutkan di sini dapat berubah tanpa pemberitahuan.
- Spesifikasi dapat berbeda dari satu negara ke negara lainnya.
- Berat menurut Prosedur EPTA 01/2014

Simbol

Berikut ini adalah simbol-simbol yang dapat digunakan pada peralatan ini. Pastikan Anda memahami arti masing-masing simbol sebelum menggunakan peralatan.



Baca petunjuk penggunaan.



ISOLASI GANDA



Hanya untuk negara-negara UE
Akibat adanya komponen berbahaya dalam peralatan, peralatan listrik dan elektronik bekas dapat memiliki dampak negatif pada lingkungan dan kesehatan manusia.
Jangan buang peralatan listrik dan elektronik bersama limbah rumah tangga! Sesuai dengan Petunjuk Eropa tentang limbah peralatan listrik dan elektronik dan penyesuaiannya dengan undang-undang nasional, peralatan listrik dan elektronik bekas harus dikumpulkan secara terpisah dan dikirim ke tempat pengumpulan terpisah untuk limbah kota, beroperasi sesuai dengan peraturan perlindungan lingkungan.
Hal ini ditunjukkan dengan simbol tempat sampah bersilang yang ditempatkan pada peralatan.

Penggunaan

Mesin ini digunakan untuk menggergaji kayu, plastik dan bahan yang terbuat dari besi.

Pasokan daya

Mesin harus terhubung dengan pasokan daya listrik yang bervoltase sama dengan yang tertera pada pelat nama, dan hanya dapat dijalankan dengan listrik AC fase tunggal. Mesin diisolasi ganda dan oleh sebab itu dapat dihubungkan dengan soket tanpa kabel.

PERINGATAN KESELAMATAN

Peringatan keselamatan umum mesin listrik

⚠ PERINGATAN: Bacalah semua peringatan keselamatan, petunjuk, ilustrasi dan spesifikasi yang disertakan bersama mesin listrik ini. Kelalaian untuk mematuhi semua petunjuk yang tercantum di bawah ini dapat menyebabkan sengatan listrik, kebakaran dan/atau cedera serius.

Simpanlah semua peringatan dan petunjuk untuk acuan di masa depan.

Istilah "mesin listrik" dalam semua peringatan mengacu pada mesin listrik yang dijalankan dengan sumber listrik jala-jala (berkabel) atau baterai (tanpa kabel).

Keselamatan tempat kerja

1. **Jaga tempat kerja selalu bersih dan berpenerangan cukup.** Tempat kerja yang berantakan dan gelap mengundang kecelakaan.

2. **Jangan gunakan mesin listrik dalam lingkungan yang mudah meledak, misalnya jika ada cairan, gas, atau debu yang mudah menyala.** Mesin listrik menimbulkan bunga api yang dapat menyalakan debu atau uap tersebut.
3. **Jauhkan anak-anak dan orang lain saat menggunakan mesin listrik.** Bila perhatian terpecah, anda dapat kehilangan kendali.

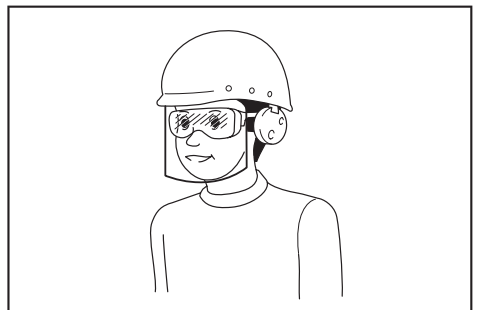
Keamanan Kelistrikan

1. **Steker mesin listrik harus cocok dengan stopkontak. Jangan sekali-kali mengubah steker dengan cara apa pun. Jangan menggunakan steker adaptor dengan mesin listrik terbumi (dibumikan).** Steker yang tidak diubah dan stopkontak yang cocok akan mengurangi risiko sengatan listrik.
2. **Hindari sentuhan tubuh dengan permukaan terbumi atau yang dibumikan seperti pipa, radiator, kompor, dan kulkas.** Risiko sengatan listrik bertambah jika tubuh Anda terbumikan atau dibumikan.
3. **Jangan membiarkan mesin listrik kehujanan atau kebasahan.** Air yang masuk ke dalam mesin listrik akan meningkatkan risiko sengatan listrik.
4. **Jangan menyalahgunakan kabel. Jangan sekali-kali menggunakan kabel untuk membawa, menarik, atau mencabut mesin listrik dari stopkontak. Jauhkan kabel dari panas, minyak, tepian tajam, atau bagian yang bergerak.** Kabel yang rusak atau kusut memperbesar risiko sengatan listrik.
5. **Bila menggunakan mesin listrik di luar ruangan, gunakan kabel ekstensi yang sesuai untuk penggunaan di luar ruangan.** Penggunaan kabel yang sesuai untuk penggunaan luar ruangan mengurangi risiko sengatan listrik.
6. **Jika mengoperasikan mesin listrik di lokasi lembap tidak terhindarkan, gunakan pasokan daya yang dilindungi peranti imbasan arus (residual current device - RCD).** Penggunaan RCD mengurangi risiko sengatan listrik.
7. **Penggunaan pasokan daya melalui RCD dengan kapasitas arus sisa 30 mA atau kurang selalu dianjurkan.**
8. **Mesin listrik dapat menghasilkan medan magnet (EMF) yang tidak berbahaya bagi pengguna.** Namun, pengguna alat pacu jantung atau peralatan medis sejenisnya harus berkonsultasi dengan produsen peralatan tersebut dan/atau dokter mereka sebelum mengoperasikan mesin listrik ini.
9. **Jangan menyentuh colokan daya dengan tangan basah.**
10. **Jika kabel rusak, penggantian harus dilakukan oleh produsen atau agennya untuk menghindari bahaya keselamatan.**

Keselamatan Diri

1. **Jaga kewaspadaan, perhatikan pekerjaan Anda dan gunakan akal sehat bila menggunakan mesin listrik.** Jangan menggunakan mesin listrik saat Anda lelah atau di bawah pengaruh obat bius, alkohol, atau obat. Sekejap saja lalai saat menggunakan mesin listrik dapat menyebabkan cedera badan serius.

2. **Gunakan alat pelindung diri. Selalu gunakan pelindung mata.** Peralatan pelindung seperti masker debu, sepatu pengaman anti-selip, helm pengaman, atau pelindung telinga yang digunakan untuk kondisi yang sesuai akan mengurangi risiko cedera badan.
3. **Cegah penyalakan yang tidak disengaja. Pastikan bahwa sakelar berada dalam posisi mati (off) sebelum menghubungkan mesin ke sumber daya dan/atau paket baterai, atau mengangkat atau membawanya.** Membawa mesin listrik dengan jari Anda pada sakelarnya atau mengalirkan listrik pada mesin listrik yang sakelarnya hidup (on) akan mengundang kecelakaan.
4. **Lepaskan kunci-kunci penyetel sebelum menghidupkan mesin listrik.** Kunci-kunci yang masih terpasang pada bagian mesin listrik yang berputar dapat menyebabkan cedera.
5. **Jangan meraih terlalu jauh. Jagalah pijakan dan keseimbangan sepanjang waktu.** Hal ini memungkinkan kendali yang lebih baik atas mesin listrik dalam situasi yang tidak diharapkan.
6. **Kenakan pakaian yang memadai. Jangan memakai pakaian yang longgar atau perhiasan. Jaga jarak antara rambut dan pakaian Anda dengan komponen mesin yang bergerak.** Pakaian yang longgar, perhiasan, atau rambut yang panjang dapat tersangkut pada komponen yang bergerak.
7. **Jika tersedia fasilitas untuk menghisap dan mengumpulkan debu, pastikan fasilitas tersebut terhubung listrik dan digunakan dengan baik.** Penggunaan pembersih debu dapat mengurangi bahaya yang terkait dengan debu.
8. **Jangan sampai Anda lengah dan mengabaikan prinsip keselamatan mesin ini hanya karena sudah sering mengoperasikannya dan sudah merasa terbiasa.** Tindakan yang lalai dapat menyebabkan cedera berat dalam sepersekian detik saja.
9. **Selalu kenakan kacamata pelindung untuk melindungi mata dari cedera saat menggunakan mesin listrik.** Kacamata harus sesuai dengan ANSI Z87.1 di Amerika Serikat, EN 166 di Eropa, atau AS/NZS 1336 di Australia/Selandia Baru. Di Australia/Selandia Baru, secara hukum Anda juga diwajibkan mengenakan pelindung wajah untuk melindungi wajah Anda.



Menjadi tanggung jawab atasan untuk menerapkan penggunaan alat pelindung keselamatan yang tepat bagi operator mesin dan orang lain yang berada di area kerja saat itu.

Penggunaan dan pemeliharaan mesin listrik

1. **Jangan memaksa mesin listrik. Gunakan mesin listrik yang tepat untuk keperluan Anda.** Mesin listrik yang tepat akan menuntaskan pekerjaan dengan lebih baik dan aman pada kecepatan sesuai rancangannya.
2. **Jangan gunakan mesin listrik jika sakelar tidak dapat menyalakan dan mematikannya.** Mesin listrik yang tidak dapat dikendalikan dengan sakelarnya adalah berbahaya dan harus diperbaiki.
3. **Cabut steker dari sumber listrik dan/atau lepas paket baterai, jika dapat dilepas, dari mesin listrik sebelum melakukan penyetelan apa pun, mengganti aksesoris, atau menyimpan mesin listrik.** Langkah keselamatan preventif tersebut mengurangi risiko hidupnya mesin secara tak sengaja.
4. **Simpan mesin listrik jauh dari jangkauan anak-anak dan jangan biarkan orang yang tidak paham mengenai mesin listrik tersebut atau petunjuk ini menggunakan mesin listrik.** Mesin listrik sangat berbahaya di tangan pengguna yang tak terlatih.
5. **Rawatlah mesin listrik dan aksesoris. Periksa apakah ada komponen bergerak yang tidak lurus atau macet, komponen yang pecah, dan kondisi-kondisi lain yang dapat memengaruhi pengoperasian mesin listrik. Jika rusak, perbaiki dahulu mesin listrik sebelum digunakan.** Banyak kecelakaan disebabkan oleh kurangnya pemeliharaan mesin listrik.
6. **Jaga agar mesin pemotong tetap tajam dan bersih.** Mesin pemotong yang terawat baik dengan mata pemotong yang tajam tidak mudah macet dan lebih mudah dikendalikan.
7. **Gunakan mesin listrik, aksesoris, dan mata mesin, dll. sesuai dengan petunjuk ini, dengan memperhitungkan kondisi kerja dan jenis pekerjaan yang dilakukan.** Penggunaan mesin listrik untuk penggunaan yang lain dari peruntukan dapat menimbulkan situasi berbahaya.
8. **Jagalah agar gagang dan permukaan pegangan tetap kering, bersih, dan bebas dari minyak dan pelumas.** Gagang dan permukaan pegangan yang licin tidak mendukung keamanan penanganan dan pengendalian mesin dalam situasi-situasi tak terduga.
9. **Ketika menggunakan mesin, jangan menggunakan sarung tangan kain yang dapat tersangkut.** Sarung tangan kain yang tersangkut pada komponen bergerak dapat mengakibatkan cedera pada pengguna.

Servis

1. **Berikan mesin listrik untuk diperbaiki hanya kepada oleh teknisi yang berkualifikasi dengan menggunakan hanya suku cadang pengganti yang serupa.** Hal ini akan menjamin terjaganya keamanan mesin listrik.

2. **Patuhi petunjuk pelumasan dan penggantian aksesoris.**

Peringatan keselamatan gergaji reciprocating

1. **Pegang mesin listrik pada permukaan genggam yang terisolasi saat melakukan pekerjaan bila mesin pemotong mungkin bersentuhan dengan kawat tersembunyi atau kabelnya sendiri.** Aksesoris pemotong yang menyentuh kawat "hidup" dapat menyebabkan bagian logam pada mesin teraliri arus listrik dan menyengat pengguna.
2. **Gunakan klem atau cara praktis lainnya untuk mengikat dan menahan benda kerja pada posisi yang stabil.** Menahan benda kerja dengan tangan atau berada pada posisi berlawanan dengan badan Anda membuat benda kerja tidak stabil dan dapat menyebabkan kehilangan kendali.
3. **Selalu gunakan kaca mata pengaman atau kaca mata pelindung. Kaca mata biasa atau kaca mata hitam BUKANLAH kaca mata pengaman.**
4. **Hindari memotong paku. Periksa apakah terdapat paku di benda kerja dan buang semua paku sebelum pengoperasian.**
5. **Jangan memotong benda kerja terlalu besar.**
6. **Periksa apakah jarak di luar benda kerja sudah tepat sebelum memotong sehingga mata pisau tidak akan menabrak lantai, meja kerja, dll.**
7. **Pegang mesin kuat-kuat.**
8. **Pastikan bahwa mata pisau tidak menyentuh benda kerja sebelum sakelar dinyalakan.**
9. **Jauhkan tangan dari bagian yang berputar.**
10. **Jangan tinggalkan mesin dalam keadaan hidup. Jalankan mesin hanya ketika digenggam tangan.**
11. **Selalu matikan dan tunggu sampai mata pisau benar-benar berhenti sebelum melepas mata pisau dari benda kerja.**
12. **Jangan menyentuh mata pisau atau benda kerja segera setelah pengoperasian; suhunya mungkin masih sangat panas dan dapat membakar kulit Anda.**
13. **Jangan mengoperasikan mesin tanpa beban dengan tanpa keperluan.**
14. **Selalu gunakan masker debu/alat pernafasan yang tepat sesuai bahan dan pekerjaan yang sedang Anda kerjakan.**
15. **Bahan tertentu mengandung zat kimia yang mungkin beracun. Hindari menghirup debu dan persentuhan dengan kulit. Ikuti data keselamatan bahan dari pemasok.**
16. **Sebelum penggunaan, pastikan tidak ada benda yang terkubur seperti pipa listrik, pipa air, atau pipa gas di benda kerja. Jika tidak, mata gergaji bolak balik dapat menyentuhnya, sehingga mengakibatkan sengatan listrik, kebocoran arus listrik, atau kebocoran gas.**

SIMPAN PETUNJUK INI.

⚠️PERINGATAN: JANGAN biarkan kenyamanan atau terbiasanya Anda dengan produk (karena penggunaan berulang) mengurangi kepatuhan yang ketat terhadap aturan keselamatan untuk produk yang terkait. **PENYALAHGUNAAN** atau kelalaian mematuhi kaidah keselamatan yang tertera dalam petunjuk ini dapat menyebabkan cedera badan serius.

DESKRIPSI FUNGSI

⚠️PERHATIAN: Selalu pastikan bahwa mesin dalam keadaan mati dan steker tercabut sebelum menyetel atau memeriksa kerja mesin.

Kerja sakelar

⚠️PERINGATAN: Sebelum memasukkan steker, pastikan picu sakelar berfungsi dengan baik dan kembali ke posisi "OFF" saat dilepas.

⚠️PERINGATAN: Saklar bisa dikunci dalam posisi "ON" untuk memberi kenyamanan pada operator selama penggunaan terus-menerus. Selalu berhati-hati ketika mengunci mesin dalam posisi "ON" dan pegang mesin kuat-kuat.

⚠️PERHATIAN: Kembalikan pelatuk sakelar ke posisi "OFF" jika tidak sengaja terlepas, mati listrik, atau daya listrik tiba-tiba terputus. Jika tidak, mesin dapat menyala secara tiba-tiba saat dialiri daya listrik kembali dan dapat menyebabkan cedera pribadi.

Untuk menjalankan mesin, cukup tarik pelatuk sakelar. Kecepatan mesin akan meningkat dengan menambah tekanan pada pelatuk sakelar. Lepaskan pelatuk sakelar untuk berhenti. Untuk penggunaan terus menerus, tarik pelatuk sakelar lalu tekan tombol kunci. Untuk membebaskan posisi terkunci, tarik pelatuk sakelar sampai penuh, lalu lepaskan.

► **Gbr.1:** 1. Picu sakelar 2. Tombol buka kunci

Menyetel sepatu

Saat mata gergaji bolak-balik kehilangan efisiensi pemotongan di satu tempat bersama dengan tepi pemotongnya, posisikan ulang sepatu untuk menggunakan bagian tepi pemotong yang tajam dan tidak digunakan. Hal ini dapat membantu memperpanjang masa pakai mata gergaji bolak-balik. Posisi sepatu dapat disetel dalam lima level. Untuk mengubah posisi sepatu, buka tuas penyetel sepatu dan pilih posisi yang cocok, lalu tutup tuas penyetel sepatu.

► **Gbr.2:** 1. Sepatu 2. Tuas penyetel sepatu

PEMBERITAHUAN: Sepatu tidak dapat dikencangkan jika diperpanjang hingga lebih dari tanda **■** dari cap **MAX** → **1**. Jangan menutup tuas penyetel sepatu secara paksa dalam posisi tersebut. Hal tersebut dapat mengakibatkan kerusakan pada tuas.

CATATAN: Sepatu dapat disetel tanpa membuka tuas penyetel sepatu sepenuhnya.

Menyalakan lampu depan

► **Gbr.3:** 1. Lampu

⚠️PERHATIAN: Jangan melihat lampu atau sumber cahaya secara langsung.

Untuk menyalakan lampu, tarik tombol pelatuk sakelar. Lepaskan pelatuk sakelar untuk mematikannya.

CATATAN: Gunakan kain kering untuk mengelap kotoran dari lensa lampu. Hati-hati jangan sampai menggores lensa lampu, atau hal tersebut dapat menurunkan tingkat penerangannya.

Kait

⚠️PERHATIAN: Pastikan bahwa mesin dalam keadaan mati dan steker tercabut saat menggantung mesin.

⚠️PERHATIAN: Jangan sekali-kali menggantung mesin di tempat yang tinggi atau yang mungkin tidak stabil.

⚠️PERHATIAN: Jangan mengaitkan mesin pada sabuk Anda atau aksesoris lainnya. Mata gergaji bolak balik dapat menyentuh tubuh Anda dan menyebabkan cedera badan.

► **Gbr.4:** 1. Kait

Kait ini cocok untuk menggantung mesin untuk sementara.

Untuk menggunakan kait ini, cukup angkat kait sampai berada di posisi terbuka.



Jika tidak digunakan, selalu turunkan kembali kait ke posisi tertutup.

PERAKITAN

⚠️ PERHATIAN: Pastikan bahwa mesin dalam keadaan mati dan steker tercabut sebelum melakukan pekerjaan apa pun pada mesin.

Memasang dan melepas mata pisau gergaji bolak-balik

⚠️ PERHATIAN: Selalu bersihkan serpihan atau benda asing yang melekat pada mata pisau dan di sekitar klem mata pisau. Kelalaian dalam melakukannya dapat mengakibatkan mata pisau tidak terpasang dengan kencang, yang dapat mengakibatkan cedera serius.


Untuk memasang mata pisau gergaji bolak-balik, selalu pastikan bahwa tuas klem mata pisau (bagian dari lengan klem mata pisau) ada dalam posisi pelepasan  pada penutup isolasi sebelum memasukkan mata pisau gergaji bolak-balik. Jika tuas klem mata pisau ada dalam posisi terpasang, putar tuas klem mata pisau searah dengan anak panah sehingga dapat dikunci pada posisi pelepasan .

► **Gbr.5:** 1. Tuas klem mata pisau 2. Posisi pelepasan 3. Posisi Terpasang

Masukkan mata gergaji bolak-balik ke dalam klem mata pisau sejauh mungkin. Lengan klem mata pisau berputar dan terpasang dengan mata gergaji bolak-balik. Pastikan mata gergaji bolak-balik tidak dapat dilepas meskipun Anda menariknya keluar.



► **Gbr.6:** 1. Mata gergaji bolak balik 2. Lengan klem mata pisau

⚠️ PERHATIAN: Jika Anda tidak memasukkan mata gergaji bolak-balik dengan cukup dalam, mata gergaji bolak-balik dapat terlontar keluar tanpa terduga selama pengoperasian. Hal ini dapat sangat membahayakan.

Untuk melepas mata gergaji bolak-balik, putar tuas klem mata pisau ke arah tanda panah. Mata gergaji bolak-balik dilepas dan tuas klem mata pisau dipasang pada posisi pelepasan .

► **Gbr.7:** 1. Mata gergaji bolak balik 2. Tuas klem mata pisau

⚠️ PERHATIAN: Jauhkan tangan dan jari dari tuas pada waktu pergantian pengoperasian. Kelalaian dalam melakukannya dapat menyebabkan cedera.

CATATAN: Jika Anda melepas mata gergaji bolak-balik tanpa memutar tuas klem mata pisau sampai mentok, maka tuas tidak akan dapat dikunci pada posisi pelepasan . Jika hal ini terjadi, putar tuas klem mata pisau secara penuh lagi, lalu pastikan tuas klem mata pisau terkunci pada posisi pelepasan .

CATATAN: Jika tuas klem mata pisau ada di dalam mesin, nyalakan mesin sebentar agar mata pisaunya keluar. Cabut steker mesin sebelum memasang atau mengeluarkan mata gergaji bolak balik.

PENGUNAAN

⚠️ PERHATIAN: Selalu pegang mesin kuat-kuat dengan satu tangan pada isolasi penutup dan tangan satunya mengalihkan gagang.

⚠️ PERHATIAN: Selalu tekan sepatu kuat-kuat terhadap benda kerja selama pengoperasian. Jika sepatu dikeluarkan atau dipisahkan dari benda kerja selama pengoperasian, akan ada getaran yang kuat dan/atau putaran, sehingga mata pisau mungkin berada dalam posisi yang membahayakan.

⚠️ PERHATIAN: Selalu gunakan sarung tangan untuk melindungi tangan Anda dari serpihan panas yang beterbangan saat memotong logam.

⚠️ PERHATIAN: Pastikan selalu gunakan pelindung mata yang sesuai dengan standar nasional.

⚠️ PERHATIAN: Selalu gunakan pendingin (minyak pemotong) yang sesuai saat memotong logam. Kelalaian dalam melakukannya akan menyebabkan keausan dini pada mata pisau.

⚠️ PERHATIAN: Jangan memutar mata pisau saat memotong.

Tekan sepatu kuat-kuat terhadap benda kerja. Jangan sampai mesin melompat. Tempatkan mata gergaji bolak-balik untuk bersentuhan ringan dengan benda kerja. Pertama-tama, buat alur permukaan dengan menggunakan kecepatan rendah. Lalu gunakan kecepatan yang lebih untuk melanjutkan pemotongan.

► **Gbr.8**

PEMBERITAHUAN: Jangan potong benda kerja dengan sepatu yang berada jauh dari benda kerja atau tanpa sepatu. Hal tersebut meningkatkan gaya reaksi yang dapat merusak mata gergaji bolak balik.

PERAWATAN

⚠️ PERHATIAN: Selalu pastikan bahwa mesin dimatikan dan steker dicabut sebelum melakukan pemeriksaan atau perawatan.

PEMBERITAHUAN: Jangan sekali-kali menggunakan bensin, tiner, alkohol, atau bahan sejenisnya. Penggunaan bahan demikian dapat menyebabkan perubahan warna, perubahan bentuk atau timbulnya retakan.

Untuk menjaga KEAMANAN dan KEANDALAN mesin, perbaikan, perawatan atau penyetulan lainnya harus dilakukan oleh Pusat Layanan Resmi atau Pabrik Makita; selalu gunakan suku cadang pengganti buatan Makita.

Mengganti sikat karbon

► Gbr.9: 1. Tanda batas

Periksa sikat karbon secara teratur.

Lepas sikat karbon ketika aus sampai tanda batas.

Jaga agar sikat karbon tetap bersih dan tidak bergeser dari tempatnya. Kedua sikat karbon harus diganti pada waktu yang sama. Hanya gunakan sikat karbon yang sama.

1. Gunakan obeng untuk melepas tutup tempat sikat.
2. Tarik keluar sikat karbon yang aus, masukkan yang baru dan pasang tutup tempat sikat.

► Gbr.10: 1. Tutup tempat sikat

AKSESORI PILIHAN

⚠PERHATIAN: Dianjurkan untuk menggunakan aksesori atau perangkat tambahan ini dengan mesin Makita Anda yang ditentukan dalam petunjuk ini. Penggunaan aksesori atau perangkat tambahan lain bisa menyebabkan risiko cedera pada manusia. Hanya gunakan aksesori atau perangkat tambahan sesuai dengan peruntukannya.

Jika Anda memerlukan bantuan lebih rinci berkenaan dengan aksesori ini, tanyakan pada Pusat Layanan Makita terdekat.

- Mata gergaji bolak balik
- Tas jinjing plastik

CATATAN: Beberapa item dalam daftar tersebut mungkin sudah termasuk dalam paket mesin sebagai aksesori standar. Hal tersebut dapat berbeda dari satu negara ke negara lainnya.

SPEKIFIKASI

| | | |
|---------------------------|----------------------------|-----------------------------|
| Model: | | JR3061T |
| Panjang ayunan | | 32 mm |
| Lejang seminit | | 0 - 3,000 min ⁻¹ |
| Kapasiti pemotongan maks. | Paip (dengan bilah 300 mm) | 130 mm |
| | Kayu (dengan bilah 305 mm) | 255 mm |
| Panjang keseluruhan | | 487 mm |
| Berat bersih | | 3.8 kg |
| Kelas keselamatan | | □/II |

- Disebabkan program penyelidikan dan pembangunan kami yang berterusan, spesifikasi yang terkandung di dalam ini adalah tertakluk kepada perubahan tanpa notis.
- Spesifikasi mungkin berbeza mengikut negara.
- Berat mengikut Prosedur EPTA 01/2014

Simbol

Berikut menunjukkan simbol-simbol yang boleh digunakan untuk alat ini. Pastikan anda memahami maksudnya sebelum menggunakan.



Baca manual arahan.



PENEBATAN BERGANDA



Hanya untuk negara-negara EU
Disebabkan kehadiran komponen berbahaya dalam peralatan, peralatan elektrik dan elektronik terpakai boleh memberi kesan negatif terhadap persekitaran dan kesihatan manusia. Jangan buang alat elektrik dan elektronik bersama dengan bahan buangan isi rumah!
Mengikut Arahan Eropah mengenai sisa peralatan elektrik dan elektronik dan penyesuaian dengan undang-undang negara, peralatan elektrik dan elektronik terpakai hendaklah dikumpulkan secara berasingan dan dihantar ke tempat pengumpulan berasingan untuk sisa perbandaran, beroperasi mengikut peraturan perlindungan persekitaran. Ini ditunjukkan oleh simbol tong sampah beroda yang bersilang pada peralatan.

Tujuan penggunaan

Alat ini bertujuan untuk menggergaji kayu, plastik, logam dan bahan binaan dengan kesan yang kuat. Ia sesuai untuk memotong lurus dan melengkung.

Bekalan kuasa

Alat ini perlu disambungkan hanya kepada bekalan kuasa dengan voltan yang sama seperti yang ditunjukkan pada papan nama, dan hanya boleh dikendalikan pada bekalan AC fasa tunggal. Ia mempunyai penebatan berganda dan oleh itu, ia juga boleh digunakan pada soket tanpa wayar bumi.

AMARAN KESELAMATAN

Amaran keselamatan umum alat kuasa

⚠️AMARAN: Baca semua amaran keselamatan, arahan, ilustrasi dan spesifikasi yang disediakan dengan alat kuasa ini. Kegagalan mengikut semua arahan yang disenaraikan di bawah boleh menyebabkan kejutan elektrik, kebakaran dan/atau cedera serius.

Simpan semua amaran dan arahan untuk rujukan masa depan.

Istilah "alat kuasa" dalam amaran merujuk kepada alat kuasa yang menggunakan tenaga elektrik (dengan kord) atau alat kuasa yang menggunakan bateri (tanpa kord).

Keselamatan kawasan kerja

1. **Pastikan kawasan kerja bersih dan diterangi dengan baik.** Kawasan berselerak atau gelap mengundang kemalangan.

2. **Jangan kendalikan alat kuasa dalam keadaan yang mudah meletup, seperti dalam kehadiran cecair, gas atau habuk yang mudah terbakar.** Alat kuasa menghasilkan percikan api yang boleh menyalakan debu atau wasap.
3. **Jauhkan kanak-kanak dan orang ramai semasa mengendalikan alat kuasa.** Gangguan boleh menyebabkan anda hilang kawalan.

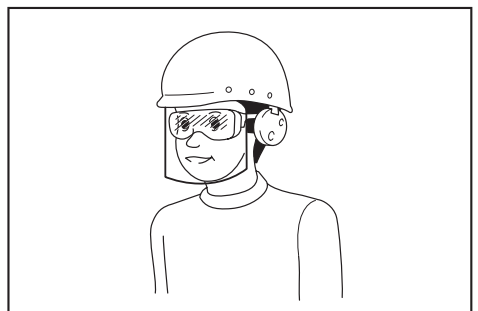
Keselamatan elektrik

1. **Palam alat kuasa mesti sepadan dengan soket. Jangan ubah suai palam dalam apa cara sekalipun. Jangan gunakan sebarang palam penyesuai dengan alat kuasa terbumi.** Palam yang tidak diubah suai dan soket yang sepadan akan mengurangkan risiko kejutan elektrik.
2. **Elakkan sentuhan badan dengan permukaan terbumi, seperti paip, radiator, dapur dan peti sejuk.** Terdapat peningkatan risiko kejutan elektrik jika elektrik terbumi terkena badan anda.
3. **Jangan biarkan alat kuasa terkena hujan atau basah.** Air yang memasuki alat kuasa akan meningkatkan risiko kejutan elektrik.
4. **Jangan salah gunakan kord. Jangan gunakan kord untuk membawa, menarik atau mencabut palam alat kuasa. Jauhkan kord dari haba, minyak, bucu tajam atau bahagian yang bergerak.** Kord yang rosak atau tersimpul meningkatkan risiko kejutan elektrik.
5. **Semasa mengendalikan alat kuasa di luar, gunakan kord sambungan yang bersesuaian untuk kegunaan luar.** Penggunaan kord yang sesuai untuk kegunaan luar mengurangkan risiko kejutan elektrik.
6. **Sekiranya pengendalian alat kuasa di lokasi lembap tidak dapat dielakkan, gunakan bekalan peranti arus sisa (RCD) yang dilindungi.** Penggunaan RCD mengurangkan risiko kejutan elektrik.
7. **Penggunaan bekalan kuasa melalui RCD dengan arus sisa yang bernilai 30 mA atau kurang sentiasa disyorkan.**
8. **Alat kuasa boleh menghasilkan medan elektromagnetik (EMF) yang tidak berbahaya kepada pengguna.** Walau bagaimanapun, pengguna perentak jantung atau peranti perubatan yang serupa harus menghubungi pembuat peranti mereka dan/atau doktor untuk nasihat sebelum mengendalikan alat kuasa ini.
9. **Jangan sentuh palam kuasa dengan tangan yang basah.**
10. **Jika kord rosak, minta ia diganti oleh pengilang atau ejennya bagi mengelakkan bahaya keselamatan.**

Keselamatan diri

1. **Sentiasa berwaspada, perhatikan apa yang anda lakukan dan guna akal budi semasa mengendalikan alat kuasa. Jangan gunakan alat kuasa semasa anda letih atau di bawah pengaruh dadah, alkohol atau ubat.** Kelekaan seketika semasa mengendalikan alat kuasa boleh menyebabkan kecederaan diri yang serius.

2. **Gunakan peralatan pelindung diri. Sentiasa pakai pelindung mata.** Peralatan pelindung seperti topeng debu, kasut keselamatan tak mudah tergelincir, topi keselamatan atau pelindung pendengaran yang digunakan untuk keadaan yang sesuai akan mengurangkan kecederaan diri.
3. **Elakkan permulaan yang tidak disengajakan. Pastikan suis ditutup sebelum menyambungkan kepada sumber kuasa dan/atau pek bateri, semasa mengangkat atau membawa alat.** Membawa alat kuasa dengan jari anda pada suis atau mentenagakan alat kuasa dengan suis pada kedudukan hidup mengundang kemalangan.
4. **Alihkan sebarang kunci atau sepana pelaras sebelum menghidupkan alat kuasa.** Sepana atau kunci yang ditinggalkan pada bahagian berputar alat kuasa boleh menyebabkan kecederaan diri.
5. **Jangan lampau jangkau. Jaga pijakan dan keseimbangan yang betul pada setiap masa.** Ini membolehkan kawalan alat kuasa yang lebih baik dalam situasi yang tidak dijangka.
6. **Berpakaian dengan betul. Jangan pakai pakaian yang longgar atau barang kemas. Jauhkan rambut dan pakaian anda dari bahagian yang bergerak.** Pakaian longgar, barang kemas atau rambut yang panjang boleh terperangkap dalam bahagian yang bergerak.
7. **Jika peranti disediakan untuk sambungan kemudahan pengekstrakan dan pengumpulan habuk, pastikan ia disambung dan digunakan dengan betul.** Penggunaan pengumpulan habuk boleh mengurangkan bahaya berkaitan habuk.
8. **Jangan biarkan kebiasaan daripada kekerapan penggunaan alat membuat anda berpuas hati dan mengabaikan prinsip keselamatan alat.** Kecuaian boleh menyebabkan kecederaan serius dalam sekelip mata.
9. **Sentiasa pakai kaca mata pelindung untuk melindungi mata anda daripada kecederaan apabila menggunakan alat kuasa. Kaca mata mestilah mematuhi ANSI Z87.1 di AS, EN 166 di Eropah, atau AS/NZS 1336 di Australia/ New Zealand. Di Australia/New Zealand, undang-undang mengarahkan untuk memakai pelindung muka bagi melindungi muka anda, juga.**



Menjadi tanggungjawab majikan untuk menguatkuasa penggunaan peralatan perlindungan keselamatan yang bersesuaian oleh pengendali alat dan oleh orang lain dalam kawasan bekerja semasa.

Penggunaan dan penjagaan alat kuasa

- 1. Jangan gunakan alat kuasa dengan kasar. Gunakan alat kuasa yang betul untuk penggunaan anda.** Alat kuasa yang betul akan melakukan tugas dengan lebih baik dan lebih selamat pada kadar mana ia direka cipta.
- 2. Jangan gunakan alat kuasa jika suis tidak berfungsi untuk menghidupkan dan mematikannya.** Alat kuasa yang tidak dapat dikawal dengan suis adalah berbahaya dan mesti dibaiki.
- 3. Cabut palam dari sumber kuasa dan/atau keluarkan pek bateri, jika boleh ditanggalkan, dari alat kuasa sebelum membuat sebarang pelarasan, menukar aksesori, atau menyimpan alat kuasa.** Langkah-langkah keselamatan pencegahan sedemikian mengurangkan risiko memulakan alat kuasa secara tidak sengaja.
- 4. Simpan alat kuasa yang tidak digunakan jauh dari jangkauan kanak-kanak dan jangan biarkan orang yang tidak biasa dengan alat kuasa atau arahan ini untuk mengendalikan alat kuasa.** Alat kuasa adalah berbahaya di tangan pengguna yang tidak terlatih.
- 5. Menyelenggara alat kuasa dan aksesori. Periksa salah jajaran atau ikatan pada bahagian yang bergerak, bahagian yang pecah dan apa-apa keadaan lain yang boleh menjejaskan operasi alat kuasa. Jika rosak, baik alat kuasa sebelum digunakan.** Kebanyakan kemalangan adalah disebabkan oleh alat kuasa yang tidak dijaga dengan baik.
- 6. Pastikan alat pemotong tajam dan bersih.** Alat pemotong yang dijaga dengan betul dengan hujung pemotong yang tajam mempunyai kemungkinan yang rendah untuk terikat dan lebih mudah dikendalikan.
- 7. Gunakan alat kuasa, aksesori dan alat bit dan sebagainya mengikut arahan ini dengan mengambil kira keadaan kerja dan kerja yang perlu dilakukan.** Penggunaan alat kuasa untuk operasi yang berbeza dari yang dimaksudkan boleh menyebabkan keadaan berbahaya.
- 8. Pastikan pemegang dan permukaan pegangan kering, bersih dan bebas dari minyak dan gris.** Pemegang dan permukaan pegangan yang licin tidak membolehkan pengendalian dan kawalan selamat bagi alat dalam situasi yang tidak dijangka.
- 9. Apabila menggunakan alat, jangan pakai sarung tangan kerja kain yang mungkin boleh kusut.** Kekusutan sarung tangan kerja kain pada bahagian yang bergerak boleh menyebabkan cederaan diri.

Servis

- 1. Pastikan alat kuasa anda diservis oleh orang yang berkelayakan dengan hanya menggunakan alat ganti yang sama.** Ini akan memastikan keselamatan alat kuasa dapat dikekalkan.

- 2. Ikut arahan untuk melincir dan menukar aksesori.**

Amaran keselamatan gergaji recipro

- 1. Pegang alat kuasa pada permukaan mencengkam tertebat apabila melakukan operasi yang aksesori pemotong mungkin tersentuh wayar tersembunyi atau kordnya sendiri.** Aksesori pemotong yang bersentuhan dengan wayar "hidup" boleh menyebabkan bahagian logam terdedah alat kuasa "hidup" dan boleh memberi kejutan elektrik kepada pengendali.
- 2. Gunakan pengapit atau cara praktikal lain untuk mengukuhkan dan menyokong bahan kerja pada platform yang stabil.** Memegang bahan kerja dengan tangan anda atau menyandar pada badannya yang tidak stabil dan boleh menyebabkan hilang kawalan.
- 3. Sentiasa gunakan kaca mata keselamatan atau goggles. Cermin mata atau cermin mata gelap biasa BUKAN cermin mata keselamatan.**
- 4. Elakkan memotong paku. Periksa bahan kerja untuk mana-mana paku dan keluarkan sebelum operasi.**
- 5. Jangan potong bahan kerja yang besar.**
- 6. Periksa pembersihan yang betul di luar bahan kerja sebelum memotong supaya bilah tidak akan menyentuh lantai, bangku kerja, dll.**
- 7. Pegang alat dengan kukuh.**
- 8. Pastikan bilah tidak menyentuh bahan kerja sebelum suis dihidupkan.**
- 9. Jauhkan tangan dari bahagian bergerak.**
- 10. Jangan tinggalkan alat yang sedang beroperasi. Kendalikan alat hanya apabila dipegang.**
- 11. Sentiasa matikan dan tunggu sehingga bilah berhenti sepenuhnya sebelum mengeluarkan bilah daripada bahan kerja.**
- 12. Jangan sentuh bilah atau bahan kerja dengan serta-merta selepas operasi; ia mungkin sangat panas dan boleh melecurkan kulit anda.**
- 13. Jangan kendalikan alat tanpa beban tanpa keperluan.**
- 14. Sentiasa gunakan topeng habuk/alat pernafasan yang betul untuk bahan dan aplikasi yang anda sedang kerjakan.**
- 15. Beberapa bahan mengandungi bahan kimia yang mungkin toksik. Sila berhati-hati untuk mencegah penyedutan habuk dan sentuhan kulit. Ikut data keselamatan pembekal bahan.**
- 16. Sebelum beroperasi, pastikan tiada objek tersembunyi seperti paip elektrik, paip air atau paip gas di dalam bahan kerja. Jika tidak, bilah gergaji recipro boleh menyentuhnya, menyebabkan kejutan elektrik, kebocoran elektrik atau kebocoran gas.**

SIMPAN ARAHAN INI.

⚠️AMARAN: JANGAN biarkan keselesaan atau kebiasaan dengan produk (diperoleh dari kegunaan berulang) menggantikan pematuhan ketat terhadap peraturan keselamatan untuk produk yang ditetapkan. SALAH GUNA atau kegagalan mematuhi peraturan-peraturan keselamatan yang dinyatakan dalam manual arahan ini boleh menyebabkan kecederaan diri yang serius.

KETERANGAN FUNGSI

⚠️PERHATIAN: Sentiasa pastikan alat dimatikan dan dicabut sebelum menyelaras atau menyemak fungsi pada alat.

Tindakan suis

⚠️AMARAN: Sebelum memasang alat, sentiasa periksa untuk melihat pemicu suis bergerak dengan betul dan kembali ke posisi "OFF" apabila dilepaskan.

⚠️AMARAN: Suis boleh dikunci dalam kedudukan "ON" untuk memudahkan keselesaan pengendali semasa penggunaan berpanjangan. Berhati-hati semasa mengunci alat dalam kedudukan "ON" dan kekalkan genggamannya yang kukuh pada alat.

⚠️PERHATIAN: Kembalikan pemicu suis ke kedudukan "OFF" semasa mencabut palam atau bekalan kuasa elektrik tanpa sengaja atau bekalan kuasa dipotong secara tidak sengaja. Jika tidak, alat mungkin bermula secara tiba-tiba apabila bekalan kuasa kembali dan keadaan ini boleh mengakibatkan kecederaan diri.

Untuk memulakan alat, hanya tarik pemicu suis. Kelajuan alat ditingkatkan dengan menambah tekanan pada pemicu suis. Lepaskan pemicu suis untuk berhenti.

Untuk operasi berterusan, tarik pemicu suis dan kemudian tolak masuk butang kunci. Untuk menghentikan alat dari kedudukan terkunci, tarik pemicu suis sepenuhnya, kemudian lepaskan.

► **Rajah1:** 1. Pemicu suis 2. Butang kunci

Menyesuaikan kasut

Apabila bilah gergaji recipro kehilangan kecekapan pemotongan di satu tempat di sepanjang tepi potongan, letakkan semula kasut untuk menggunakan bahagian tajam yang tidak digunakan daripada tepi potongan. Ini akan membantu untuk memanjangkan hayat bilah gergaji recipro.

Kedudukan kasut boleh dilaraskan dalam lima tahap. Untuk meletakkan semula kasut, buka tuil pelaras kasut dan pilih kedudukan yang sesuai, kemudian tutup tuil pelaras kasut.

► **Rajah2:** 1. Kasut 2. Tuil pelaras kasut

NOTIS: Kasut tidak boleh dikukuhkan jika kasut dipanjangkan melebihi tanda **█** tekan tera **MAX** → 1. Jangan tutup tuil pelaras kasut secara paksa dalam kedudukan tersebut. Ia boleh mengakibatkan kerosakan tuil.

NOTA: Kasut tidak boleh dilaraskan tanpa membuka tuil pelaras kasut sepenuhnya.

Menyalakan lampu hadapan

► **Rajah3:** 1. Lampu

⚠️PERHATIAN: Jangan lihat ke dalam cahaya atau lihat sumber cahaya secara langsung.

Untuk menghidupkan lampu, tarik pemicu suis. Lepaskan pemicu suis untuk mematikannya.

NOTA: Gunakan kain kering untuk mengelap kotoran daripada lensa lampu. Berhati-hati agar tidak mencalarakan lensa lampu, atau ia mungkin mengurangkan pencahayaan.

Cangkuk

⚠️PERHATIAN: Sentiasa pastikan alat dimatikan dan dicabut palam apabila menggantung alat.

⚠️PERHATIAN: Jangan sangkut alat pada lokasi yang tinggi atau pada lokasi yang berpotensi tidak stabil.

⚠️PERHATIAN: Jangan cangkuk alat pada tali pinggang anda atau aksesori lain. Bilah gergaji recipro mungkin tersentuh badan anda dan boleh menyebabkan kecederaan diri.

► **Rajah4:** 1. Cangkuk

Cangkuk digunakan untuk menggantung alat sementara.

Untuk menggunakan cangkuk, hanya naikkan cangkuk sehingga ia berdetap ke kedudukan terbuka.



Apabila tidak digunakan, sentiasa rendahkan cangkuk sehingga ia berdetap ke kedudukan tertutup.

PEMASANGAN

⚠️ PERHATIAN: Sentiasa pastikan alat dimatikan dan palamnya dicabut sebelum menjalankan apa-apa kerja pada alat.

Memasang atau mengeluarkan bilah gergaji recipro

⚠️ PERHATIAN: Sentiasa bersihkan kesemua serpihan atau bendasing yang melekat pada bilah dan di sekeliling pengapit bilah. Kegagalan berbuat demikian boleh menyebabkan bilah yang tidak cukup ketat, mengakibatkan kecederaan yang serius.


Untuk memasang bilah gergaji recipro, sentiasa pastikan tuil pengapit bilah (bahagian sarung pengapit bilah) adalah dalam kedudukan dilepaskan  pada penutup penebat sebelum memasukkan bilah gergaji recipro. Jika tuil pengapit bilah dalam kedudukan tetap, putarkan tuil pengapit bilah mengikut arah anak panah supaya tuil boleh dikunci pada kedudukan dilepaskan .

► **Rajah5:** 1. Tuil pengapit bilah 2. Kedudukan dilepaskan 3. Kedudukan ditetapkan

Masukkan bilah gergaji recipro ke dalam pengapit bilah sejauh mana ia akan pergi. Sarung pengapit bilah berputar dan menatapkan bilah gergaji recipro. Pastikan bilah gergaji recipro tidak boleh diekstrak walaupun anda cuba menariknya.



► **Rajah6:** 1. Bilah gergaji recipro 2. Sarung pengapit bilah

⚠️ PERHATIAN: Jika anda tidak memasukkan bilah gergaji recipro cukup dalam, bilah gergaji recipro boleh terkeluar tanpa diduga semasa operasi. Ini boleh menjadi sangat bahaya.

Untuk mengeluarkan bilah gergaji recipro, putar tuil pengapit bilah ke arah anak panah sepenuhnya. Bilah gergaji recipro telah dialih keluar dan tuil pengapit bilah ditetapkan pada kedudukan dilepaskan .

► **Rajah7:** 1. Bilah gergaji recipro 2. Tuil pengapit bilah

⚠️ PERHATIAN: Jauhkan tangan dan jari dari tuil semasa operasi menukar. Gagal berbuat demikian boleh menyebabkan kecederaan peribadi.

NOTA: Jika anda mengeluarkan bilah gergaji recipro tanpa memutar tuil pengapit bilah sepenuhnya, tuil tidak boleh dikunci dalam kedudukan dilepaskan . Dalam kes ini, putar tuil pengapit bilah sepenuhnya sekali lagi, kemudian pastikan tuil pengapit bilah dikunci pada kedudukan dilepaskan .

NOTA: Jika tuil pengapit bilah diletakkan di dalam alat, hidupkan alat tersebut sekejap untuk membiarkan bilah keluar. Cabut alat sebelum memasang atau mengeluarkan bilah gergaji recipro.

OPERASI

⚠️ PERHATIAN: Sentiasa pegang alat dengan ketat dengan sebelah tangan pada penutup penebat dan sebelah tangan lagi pada pemegang suis.

⚠️ PERHATIAN: Sentiasa tekan kasut dengan tegas terhadap bahan kerja semasa operasi. Jika kasut yang dikeluarkan atau dipegang jauh dari bahan kerja semasa operasi, getaran dan/atau berpusing kuat akan terhasil, menyebabkan bilah berdetap dengan bahaya.

⚠️ PERHATIAN: Sentiasa memakai sarung tangan untuk melindungi tangan anda dari percikan api berterbangan apabila memotong logam.

⚠️ PERHATIAN: Pastikan anda sentiasa memakai pelindung mata sesuai yang mematuhi piawaian semasa negara.

⚠️ PERHATIAN: Sentiasa menggunakan penyejuk yang sesuai (minyak pelincir pemotong) apabila memotong logam. Kegagalan berbuat demikian akan menyebabkan bilah gergaji dipakai sekejap.

⚠️ PERHATIAN: Jangan pusingkan bilah semasa memotong.

Tekan kasut dengan perlahan terhadap bahan kerja. Jangan biarkan alat itu melantun. Bawa bilah gergaji recipro berdekatan sedikit dengan bahan kerja. Pertama, buat alur penahan menggunakan kelajuan yang lebih perlahan. Kemudian gunakan kelajuan yang lebih cepat untuk terus memotong.

► **Rajah8**

NOTIS: Jangan potong bahan kerja dengan kasut berada jauh daripada bahan kerja atau tanpa kasut. Melakukan perkara sedemikian akan meningkatkan daya tindak balas yang mungkin merosakkan bilah gergaji recipro.

PENYELENGGARAAN

⚠️ PERHATIAN: Sentiasa pastikan alat dimatikan dan palamnya dicabut sebelum cuba menjalankan pemeriksaan atau penyelenggaraan.

NOTIS: Jangan gunakan petrol, benzin, pencair, alkohol atau bahan yang serupa. Ia boleh menyebabkan perubahan warna, bentuk atau keretakan.

Untuk mengekalkan KESELAMATAN dan KEBOLEHPERCAYAAN produk, pembaikan, apa-apa penyelenggaraan atau penyesuaian lain perlu dilakukan oleh Kilang atau Pusat Servis Makita yang Diiktiraf, sentiasa gunakan alat ganti Makita.

Menggantikan berus karbon

► Rajah9: 1. Tanda had

Periksa berus karbon dengan kerap. Gantikan ia apabila ia telah haus sehingga tanda had. Pastikan berus karbon sentiasa bersih dan bebas untuk dimasukkan ke dalam pemegang. Kedua-dua berus karbon harus diganti pada masa yang sama. Gunakan hanya berus karbon yang serupa.

1. Gunakan pemutar skru untuk mengeluarkan penutup pemegang berus.
2. Keluarkan berus karbon yang telah haus, masukkan berus baharu dan kukuhkan penutup pemegang berus.

► Rajah10: 1. Penutup pemegang berus

AKSESORI PILIHAN

⚠ PERHATIAN: Aksesori-aksesori atau lampiran-lampiran ini adalah disyorkan untuk digunakan dengan alat Makita anda yang ditentukan dalam manual ini. Penggunaan mana-mana aksesori-aksesori atau lampiran-lampiran lain mungkin mengakibatkan risiko kecederaan kepada orang. Hanya gunakan aksesori atau lampiran untuk tujuan yang dinyatakannya.

Jika anda memerlukan sebarang bantuan untuk maklumat lebih lanjut mengenai aksesori ini, tanya Pusat Perkhidmatan Makita tempatan anda.

- Bilah gergaji recipro
- Bekas pembawa plastik

NOTA: Beberapa item dalam senarai mungkin disertakan dalam pakej alat sebagai aksesori standard. Item mungkin berbeza mengikut negara.

THÔNG SỐ KỸ THUẬT

| | | |
|---------------------------|-------------------------------|--------|
| Kiểu máy: | JR3061T | |
| Chiều dài hành trình | 32 mm | |
| Số nhát cắt trên một phút | 0 - 3.000 min ⁻¹ | |
| Công suất cắt tối đa | Ông nổi (với lưỡi cưa 300 mm) | 130 mm |
| | Gỗ (với lưỡi cưa 305 mm) | 255 mm |
| Tổng chiều dài | 487 mm | |
| Khối lượng tịnh | 3,8 kg | |
| Cấp an toàn | □/II | |

- Do chương trình nghiên cứu và phát triển liên tục của chúng tôi nên các thông số kỹ thuật trong đây có thể thay đổi mà không cần thông báo trước.
- Các thông số kỹ thuật có thể thay đổi tùy theo từng quốc gia.
- Khối lượng tùy theo Quy trình EPTA tháng 01/2014

Ký hiệu

Phần dưới đây cho biết các ký hiệu có thể được dùng cho thiết bị. Đảm bảo rằng bạn hiểu rõ ý nghĩa của các ký hiệu này trước khi sử dụng.



Đọc tài liệu hướng dẫn.



CÁCH ĐIỆN CẤP 2



Chỉ dành cho các quốc gia EU
Do có các thành phần nguy hiểm bên trong thiết bị, thiết bị điện và điện tử đã qua sử dụng nên có thể có tác động không tốt đến môi trường và sức khỏe con người. Không vứt bỏ thiết bị điện và điện tử cùng với rác thải sinh hoạt!
Theo Chỉ thị của Châu Âu về thiết bị điện và điện tử thải bỏ và sự thích ứng của nó với luật pháp quốc gia, thiết bị điện và điện tử đã qua sử dụng phải được thu gom riêng và chuyển đến một điểm thu gom rác thải đô thị riêng biệt, hoạt động theo các quy định về bảo vệ môi trường. Điều này được biểu thị bằng biểu tượng thùng rác có bánh xe gạch chéo được đặt trên thiết bị.

Mục đích sử dụng

Dụng cụ được sử dụng để cưa gỗ, nhựa và vật liệu chứa sắt.

Nguồn cấp điện

Dụng cụ này chỉ được nối với nguồn cấp điện có điện áp giống như đã chỉ ra trên biển tên và chỉ có thể được vận hành trên nguồn điện AC đơn pha. Chúng được cách điện hai lớp và do đó cũng có thể được sử dụng từ các ổ cắm điện không có dây tiếp đất.

CẢNH BÁO AN TOÀN

Cảnh báo an toàn chung dành cho dụng cụ máy

▲CẢNH BÁO: Xin đọc tất cả các cảnh báo an toàn, hướng dẫn, minh họa và thông số kỹ thuật đi kèm với dụng cụ máy này. Việc không tuân theo các hướng dẫn được liệt kê dưới đây có thể dẫn đến điện giật, hỏa hoạn và/hoặc thương tích nghiêm trọng.

Lưu giữ tất cả cảnh báo và hướng dẫn để tham khảo sau này.

Thuật ngữ “dụng cụ máy” trong các cảnh báo để cập đến dụng cụ máy (có dây) được vận hành bằng nguồn điện chính hoặc dụng cụ máy (không dây) được vận hành bằng pin của bạn.

An toàn tại nơi làm việc

1. **Giữ nơi làm việc sạch sẽ và có đủ ánh sáng.**
Nơi làm việc bừa bộn hoặc tối thường dễ gây ra tai nạn.
2. **Không vận hành dụng cụ máy trong môi trường cháy nổ, ví dụ như môi trường có sự hiện diện của các chất lỏng, khí hoặc bụi dễ cháy.** Các dụng cụ máy tạo tia lửa điện có thể làm bụi hoặc khí bốc cháy.
3. **Giữ trẻ em và người ngoài tránh xa nơi làm việc khi đang vận hành dụng cụ máy.** Sự xao lãng có thể khiến bạn mất khả năng kiểm soát.

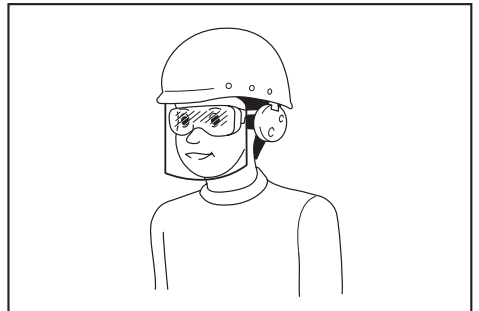
An toàn về Điện

1. **Phích cắm của dụng cụ máy phải khớp với ổ cắm. Không được sửa đổi phích cắm theo bất kỳ cách nào. Không sử dụng bất kỳ phích chuyển đổi nào với các dụng cụ máy được nối đất (tiếp đất).** Các phích cắm còn nguyên vẹn và ổ cắm phù hợp sẽ giảm nguy cơ điện giật.
2. **Tránh để cơ thể tiếp xúc với các bề mặt nóng đất hoặc tiếp đất như đường ống, bộ tản nhiệt, bếp ga và tủ lạnh.** Nguy cơ bị điện giật sẽ tăng lên nếu cơ thể bạn được nối đất hoặc tiếp đất.
3. **Không để dụng cụ máy tiếp xúc với máy hoặc trong điều kiện ẩm ướt.** Nước lọt vào dụng cụ máy sẽ làm tăng nguy cơ điện giật.
4. **Không làm dụng cụ máy dây điện. Không được phép sử dụng dây để mang, kéo hoặc tháo phích cắm dụng cụ máy. Giữ dây tránh xa nguồn nhiệt, dầu, các mép sắc hoặc các bộ phận chuyển động.** Dây bị hỏng hoặc bị rối sẽ làm tăng nguy cơ điện giật.
5. **Khi vận hành dụng cụ máy ngoài trời, hãy sử dụng dây kéo dài phù hợp cho việc sử dụng ngoài trời.** Việc dùng dây phù hợp cho việc sử dụng ngoài trời sẽ giảm nguy cơ điện giật.
6. **Nếu bắt buộc phải vận hành dụng cụ máy ở nơi ẩm ướt, hãy sử dụng nguồn cấp điện được bảo vệ bằng thiết bị ngắt dòng điện rò (RCD).** Việc sử dụng RCD sẽ làm giảm nguy cơ điện giật.
7. **Chúng tôi luôn khuyên bạn sử dụng nguồn cấp điện qua thiết bị RCD có thể ngắt dòng điện rò định mức 30 mA hoặc thấp hơn.**
8. **Các dụng cụ máy có thể tạo ra từ trường điện (EMF) có hại cho người dùng.** Tuy nhiên, người dùng máy trợ tim và những thiết bị y tế tương tự khác nên liên hệ với nhà sản xuất thiết bị và/hoặc bác sỹ để được tư vấn trước khi vận hành dụng cụ này.
9. **Không chạm vào đầu cắm điện bằng tay ướt.**
10. **Nếu dây bị hỏng, hãy nhờ nhà sản xuất hoặc đại lý thay dây mới để tránh nguy hiểm về an toàn.**

An toàn Cá nhân

1. **Luôn tỉnh táo, quan sát những việc bạn đang làm và sử dụng những phán đoán theo kinh nghiệm khi vận hành dụng cụ máy. Không sử dụng dụng cụ máy khi bạn đang mệt mỏi hoặc chịu ảnh hưởng của ma túy, rượu hay thuốc.** Chỉ một khoảnh khắc không tập trung khi đang vận hành dụng cụ máy cũng có thể dẫn đến thương tích cá nhân nghiêm trọng.
2. **Sử dụng thiết bị bảo hộ cá nhân. Luôn đeo thiết bị bảo vệ mắt.** Các thiết bị bảo hộ như mặt nạ chống bụi, giày an toàn chống trượt, mũ bảo hộ hay thiết bị bảo vệ thính giác được sử dụng trong các điều kiện thích hợp sẽ giúp giảm thương tích cá nhân.
3. **Tránh vô tình khởi động dụng cụ máy. Đảm bảo công tắc ở vị trí off (tắt) trước khi nối nguồn điện và/hoặc bộ pin, cắm hoặc di chuyển dụng cụ máy.** Việc di chuyển dụng cụ máy khi đang đặt ngón tay ở vị trí công tắc hoặc cấp điện cho dụng cụ máy đang bật thường dễ gây ra tai nạn.

4. **Tháo tất cả các khóa hoặc cờ lê điều chỉnh trước khi bật dụng cụ máy.** Việc cờ lê hoặc khóa vẫn còn gắn vào bộ phận quay của dụng cụ máy có thể dẫn đến thương tích cá nhân.
5. **Không vởi quá cao. Luôn giữ thẳng bằng tốt và có chỗ để chân phù hợp.** Điều này cho phép điều khiển dụng cụ máy tốt hơn trong những tình huống bất ngờ.
6. **Ăn mặc phù hợp. Không mặc quần áo rộng hay đeo đồ trang sức. Giữ tóc và quần áo tránh xa các bộ phận chuyển động.** Quần áo rộng, đồ trang sức hay tóc dài có thể mắc vào các bộ phận chuyển động.
7. **Nếu các thiết bị được cung cấp để kết nối các thiết bị thu gom và hút bụi, hãy đảm bảo chúng được kết nối và sử dụng hợp lý.** Việc sử dụng thiết bị thu gom bụi có thể làm giảm những mối nguy hiểm liên quan đến bụi.
8. **Không vì quen thuộc do thường xuyên sử dụng các dụng cụ mà cho phép bạn trở nên tự mãn và bỏ qua các nguyên tắc an toàn dụng cụ.** Một hành động bất cẩn có thể gây ra thương tích nghiêm trọng trong một phần của một giây.
9. **Luôn luôn mang kính bảo hộ để bảo vệ mắt khỏi bị thương khi đang sử dụng các dụng cụ máy. Kính bảo hộ phải tuân thủ ANSI Z87.1 ở Mỹ, EN 166 ở Châu Âu, hoặc AS/NZS 1336 ở Úc/New Zealand. Tại Úc/New Zealand, theo luật pháp, bạn cũng phải mang mặt nạ che mặt để bảo vệ mặt.**



Trách nhiệm của chủ lao động là bắt buộc người vận hành dụng cụ và những người khác trong khu vực làm việc cạnh đó phải sử dụng các thiết bị bảo hộ an toàn thích hợp.

Sử dụng và bảo quản dụng cụ máy

1. **Không dùng lực đẩy với dụng cụ máy. Sử dụng đúng dụng cụ máy cho công việc của bạn.** Sử dụng đúng dụng cụ máy sẽ giúp thực hiện công việc tốt hơn và an toàn hơn theo giá trị định mức được thiết kế của dụng cụ máy đó.
2. **Không sử dụng dụng cụ máy nếu công tắc không bật và tắt được dụng cụ máy đó.** Mọi dụng cụ máy không thể điều khiển được bằng công tắc đều rất nguy hiểm và phải được sửa chữa.

3. **Rút phích cắm ra khỏi nguồn điện và/hoặc tháo kết nối bộ pin khỏi dụng cụ máy, nếu có thể tháo rời trước khi thực hiện bất kỳ công việc điều chỉnh, thay đổi phụ tùng hay cất giữ dụng cụ máy nào.** Những biện pháp an toàn phòng ngừa này sẽ giảm nguy cơ vô tình khởi động dụng cụ máy.
4. **Cất giữ các dụng cụ máy không sử dụng ngoài tầm với của trẻ em và không cho bất kỳ người nào không có hiểu biết về dụng cụ máy hoặc các hướng dẫn này vận hành dụng cụ máy.** Dụng cụ máy sẽ rất nguy hiểm nếu được sử dụng bởi những người dùng chưa qua đào tạo.
5. **Bảo dưỡng dụng cụ máy và các phụ kiện.** Kiểm tra tình trạng lệch trục hoặc bó kẹt của các bộ phận chuyển động, hiện tượng nứt vỡ của các bộ phận và mọi tình trạng khác mà có thể ảnh hưởng đến hoạt động của dụng cụ máy. Nếu có hỏng hóc, hãy sửa chữa dụng cụ máy trước khi sử dụng. Nhiều tai nạn xảy ra là do không bảo quản tốt dụng cụ máy.
6. **Luôn giữ cho dụng cụ cất được sắc bén và sạch sẽ.** Những dụng cụ cất được bảo quản tốt có mép cắt sắc sẽ ít bị kẹt hơn và dễ điều khiển hơn.
7. **Sử dụng dụng cụ máy, phụ tùng và đầu dụng cụ cắt, v.v... theo các hướng dẫn này, có tính đến điều kiện làm việc và công việc được thực hiện.** Việc sử dụng dụng cụ máy cho các công việc khác với công việc dự định có thể gây nguy hiểm.
8. **Giữ tay cầm và bề mặt tay cầm khô, sạch, không dính dầu và mỡ.** Tay cầm trơn trượt và bề mặt tay cầm không cho phép xử lý an toàn và kiểm soát dụng cụ trong các tình huống bất ngờ.
9. **Khi sử dụng dụng cụ, không được đi giày tay lao động bằng vải, có thể bị vướng.** Việc giăng tay lao động bằng vải vướng vào các bộ phận chuyển động có thể gây ra thương tích cá nhân.
3. **Luôn sử dụng kính bảo hộ hoặc kính an toàn.** Kính mắt thông thường hoặc kính râm **KHÔNG** phải là kính an toàn.
4. **Tránh cất đinh.** Kiểm tra phôi xem có đinh không và tháo đinh trước khi vận hành.
5. **Không cất phôi có kích thước quá lớn.**
6. **Kiểm tra khoảng trống phù hợp cách phôi gia công trước khi cắt để lưỡi cưa không cắt vào sản, bàn gia công, v.v...**
7. **Cầm chắc dụng cụ.**
8. **Đảm bảo lưỡi cưa không tiếp xúc với phôi gia công trước khi bật công tắc.**
9. **Giữ tay tránh xa các bộ phận chuyển động.**
10. **Không để mặc dụng cụ hoạt động.** Chỉ vận hành dụng cụ khi cầm trên tay.
11. **Luôn tắt nguồn và đợi lưỡi cưa dừng hẳn trước khi tháo lưỡi cưa ra khỏi phôi gia công.**
12. **Không chạm vào lưỡi cưa hay phôi gia công ngay sau khi vận hành; chúng có thể cực nóng và có thể gây bỏng da.**
13. **Không vận hành dụng cụ ở chế độ không tải nếu không cần thiết.**
14. **Luôn sử dụng đúng mặt nạ chống bụi/bình thở khi làm việc với vật liệu và ứng dụng của mình.**
15. **Một số vật liệu có thể chứa hóa chất độc hại.** Phải cẩn trọng tránh hít phải bụi và để tiếp xúc với da. Tuân theo dữ liệu an toàn của nhà cung cấp vật liệu.
16. **Trước khi vận hành, đảm bảo rằng không có vật bị chôn vùi như ống điện, ống nước hoặc ống dẫn khí trong phôi gia công.** Nếu không, lưỡi cưa kiểm có thể chạm vào chúng, gây ra điện giật, rò rỉ điện hoặc rò rỉ gas.

LUYỆN GIỮ CÁC HƯỚNG DẪN NÀY.

⚠CẢNH BÁO: KHÔNG vì đã thoải mái hay quen thuộc với sản phẩm (có được do sử dụng nhiều lần) mà không tuân thủ nghiêm ngặt các quy định về an toàn dành cho sản phẩm này. VIỆC DÙNG SAI hoặc không tuân theo các quy định về an toàn được nêu trong tài liệu hướng dẫn này có thể dẫn đến thương tích cá nhân nghiêm trọng.

Cảnh báo an toàn dành cho máy cưa kiểm cầm tay hoạt động bằng động cơ điện

1. **Cầm dụng cụ máy bằng bề mặt kẹp cách điện khi thực hiện một thao tác trong đó bộ phận cắt có thể tiếp xúc với dây dẫn kín hoặc dây của chính nó.** Phụ kiện cắt tiếp xúc với dây dẫn "có điện" có thể khiến các bộ phận kim loại bị hở của dụng cụ máy "có điện" và làm cho người vận hành bị điện giật.
2. **Dùng kẹp hoặc làm theo cách khác để giữ chặt và đỡ phôi gia công trên bề vững chắc.** Giữ phôi gia công bằng tay hoặc tỳ vào cơ thể sẽ làm phôi không chắc chắn và có thể dẫn đến mất kiểm soát.

MÔ TẢ CHỨC NĂNG

⚠️ THẬN TRỌNG: Luôn bảo đảm rằng dụng cụ được tắt điện và rút phích cắm trước khi điều chỉnh hoặc kiểm tra chức năng của dụng cụ.

Hoạt động công tắc

⚠️ CẢNH BÁO: Trước khi cắm điện vào dụng cụ, luôn luôn kiểm tra xem cần khởi động công tắc có hoạt động bình thường hay không và trả về vị trí “OFF” (TẮT) khi nhả ra.

⚠️ CẢNH BÁO: Công tắc có thể khóa ở vị trí “ON” (BẬT) để người vận hành dễ dàng thuận tiện trong quá trình sử dụng kéo dài. Cần hết sức cẩn trọng khi khóa dụng cụ ở vị trí “ON” (BẬT) và phải luôn giữ chặt dụng cụ.

⚠️ THẬN TRỌNG: Tránh khởi động công tắc về vị trí “OFF” (TẮT) trong trường hợp vô ý rút dây nguồn, mất điện, hoặc vô ý ngắt nguồn điện. Nếu không dụng cụ có thể bất ngờ khởi động khi có nguồn điện trở lại và có thể dẫn đến thương tích cá nhân.

Để khởi động dụng cụ, chỉ cần kéo cần khởi động công tắc. Tốc độ của dụng cụ được tăng lên bằng cách tăng áp lực lên cần khởi động công tắc. Nhả cần khởi động công tắc ra để dừng.

Để tiếp tục vận hành, hãy kéo cần khởi động công tắc và sau đó nhấn vào nút khóa. Để dừng dụng cụ từ vị trí đã khóa, hãy kéo cần khởi động công tắc hết mức, sau đó nhả ra.

► **Hình1:** 1. Cần khởi động công tắc 2. Nút mở khóa

Điều chỉnh để hãm

Khi lưới cửa kiểm mát hiệu suất cửa tại một vị trí dọc theo cạnh cắt, hãy định vị lại để hãm để sử dụng phần sắc, chưa sử dụng chỗ của cạnh cắt. Làm như vậy sẽ kéo dài tuổi thọ của lưới cửa kiểm.

Vị trí của đế hãm có thể được điều chỉnh theo năm mức.

Để định vị lại để hãm, mở cần điều chỉnh để hãm và chọn vị trí thích hợp, sau đó đóng cần điều chỉnh để hãm.

► **Hình2:** 1. Đế hãm 2. Cần điều chỉnh để hãm

CHÚ Ý: Đế hãm không thể được cố định nếu nơi rộng hơn **▮** đánh dấu trên tem dán **MAX** → 1. Không được cố gắng đóng cần điều chỉnh để hãm vào vị trí trên. Việc này có thể khiến cần gạt bị hỏng.

LƯU Ý: Đế hãm không thể điều chỉnh nếu không mở cần điều chỉnh để hãm hết cỡ.

Bật sáng đèn phía trước

► **Hình3:** 1. Đèn

⚠️ THẬN TRỌNG: Đừng nhìn thẳng trực tiếp vào đèn hoặc nguồn sáng.

Để bật đèn, hãy kéo cần khởi động công tắc. Nhả cần khởi động công tắc để tắt đèn.

LƯU Ý: Dùng vải khô để lau bụi bẩn trên kính đèn. Cẩn thận không được làm xước kính đèn, nếu không đèn có thể bị giảm độ sáng.

Móc treo

⚠️ THẬN TRỌNG: Luôn đảm bảo rằng dụng cụ này đã được tắt và rút phích khi treo dụng cụ.

⚠️ THẬN TRỌNG: Không bao giờ treo dụng cụ ở vị trí cao hoặc nơi có khả năng không thẳng bằng.

⚠️ THẬN TRỌNG: Không được móc dụng cụ vào đai lưng của bạn hoặc các phụ kiện khác. Lưỡi cửa kiểm có thể tiếp xúc với cơ thể của bạn và gây thương tích cá nhân.

► **Hình4:** 1. Móc treo

Móc treo rất tiện lợi khi dùng treo tạm dụng cụ.

Để sử dụng móc treo, chỉ cần nâng móc treo cho đến khi nó trượt “tách” vào vị trí mở.

Khi không sử dụng, luôn hạ móc treo xuống cho đến khi nó trượt “tách” vào vị trí đóng.

LẮP RÁP

⚠️ THẬN TRỌNG: Luôn luôn đảm bảo rằng dụng cụ đã được tắt và tháo phích cắm trước khi dùng dụng cụ thực hiện bất cứ công việc nào.

Lắp hoặc tháo lưới cửa kiểm

⚠️ THẬN TRỌNG: Luôn lau sạch tất cả phoi hoặc ngoại vật bám vào lưới cửa và xung quanh kẹp lưới cửa. Không làm như vậy có thể khiến cho lưới cửa được siết không đủ chặt dẫn đến thương tích nghiêm trọng.


Để lắp lưới cửa kiểm, luôn đảm bảo rằng cần kẹp lưới cửa (một phần của ống kẹp lưới) ở vị trí nhà **Ⓐ** trên vỏ cách điện trước khi lắp lưới cửa kiểm. Nếu cần kẹp lưới cửa ở vị trí cố định, xoay cần kẹp lưới cửa theo hướng mũi tên sao cho nó có thể được khóa tại vị trí nhà **Ⓐ**.

► **Hình5:** 1. Cần kẹp lưới cửa 2. Vị trí nhà 3. Vị trí cố định

Lắp lưới cửa vào ống kẹp lưới cửa cho đến khi lưới cửa vào hết. Ống kẹp lưới cửa xoay và cố định lưới cửa kiểm. Đảm bảo rằng không thể rút lưới cửa ngay cả khi bạn cố rút lưới cửa ra.



► **Hình6:** 1. Lưới cửa kiểm 2. Ống kẹp lưới cửa

⚠ THẬN TRỌNG: Nếu bạn không lắp lưới cửa kiểm đủ sâu, lưới cửa kiểm có thể bất ngờ bị văng ra trong khi vận hành. Điều này có thể cực kỳ nguy hiểm.

Đề tháo lưới cửa kiểm, xoay cần kẹp lưới cửa hết cỡ theo hướng mũi tên. Lưới cửa kiểm được tháo và cần kẹp lưới cửa được cố định ở vị trí nhà .

► **Hình7:** 1. Lưới cửa kiểm 2. Cần kẹp lưới cửa

⚠ THẬN TRỌNG: Giữ bàn tay và ngón tay luôn cách xa khỏi cần trong khi vận hành chuyên đổi. Không làm như vậy có thể gây ra thương tích cá nhân.

LƯU Ý: Nếu bạn tháo lưới cửa kiểm mà không xoay cần kẹp lưới cửa hết cỡ, cần kẹp này có thể không được khóa ở vị trí nhà . Trong trường hợp này, xoay cần kẹp lưới cửa hết cỡ lần nữa, sau đó đảm bảo cần kẹp lưới cửa đã khóa tại vị trí nhà .

LƯU Ý: Nếu cần kẹp lưới cửa ở vị trí bên trong dụng cụ, bật dụng cụ chỉ khoảng một giây để cho lưới cửa đi ra. Rút phích điện của dụng cụ trước khi lắp hoặc tháo lưới cửa kiểm.

VẬN HÀNH

⚠ THẬN TRỌNG: Luôn cầm chắc dụng cụ bằng một tay đặt lên vỏ cách điện và tay kia đặt lên tay cầm gắn công tắc.

⚠ THẬN TRỌNG: Luôn ấn chặt đế hãm vào phôi gia công trong khi vận hành. Nếu đế hãm đã bị tháo hoặc cách xa phôi gia công trong khi vận hành, lực xoắn và/hoặc rung mạnh sẽ sinh ra khiến lưới cửa bị gãy một cách nguy hiểm.

⚠ THẬN TRỌNG: Luôn đeo găng tay để bảo vệ tay bạn khỏi các phoi nóng bắn ra khi cắt kim loại.

⚠ THẬN TRỌNG: Đảm bảo luôn đeo thiết bị bảo vệ mắt phù hợp tuân thủ theo các tiêu chuẩn quốc gia hiện tại.

⚠ THẬN TRỌNG: Luôn sử dụng chất làm mát phù hợp (dầu làm nguội) khi cắt kim loại. Không làm như vậy sẽ làm lưới cửa bị mòn sớm.

⚠ THẬN TRỌNG: Không đột ngột bẻ cong lưới cửa khi đang cắt.

Ấn chặt đế hãm vào phôi gia công. Không để dụng cụ bật lên. Đề lưới cửa chạm nhẹ vào phôi gia công. Trước tiên, tạo rãnh dẫn hướng với tốc độ chậm hơn. Sau đó sử dụng tốc độ nhanh hơn để tiếp tục cắt.

► **Hình8**

CHÚ Ý: Không được cắt phôi gia công khi đế hãm rơi ra khỏi phôi gia công hoặc khi không có đế hãm. Làm như vậy sẽ làm tăng lực phản ứng có thể phá vỡ lưới cửa kiểm.

BẢO TRÌ

⚠ THẬN TRỌNG: Luôn bảo đảm rằng dụng cụ được tắt điện và rút phích cắm trước khi thử thực hiện việc kiểm tra hoặc bảo trì.

CHÚ Ý: Không được phép dùng xăng, ết xăng, dung môi, cồn hoặc hóa chất tương tự. Có thể xảy ra hiện tượng mất màu, biến dạng hoặc nứt vỡ.

Để đảm bảo ĐỘ AN TOÀN và ĐỘ TIN CẬY của sản phẩm, việc sửa chữa hoặc bất cứ thao tác bảo trì, điều chỉnh nào đều phải được thực hiện bởi các Trung tâm Dịch vụ Nhà máy hoặc Trung tâm được Makita Ủy quyền và luôn sử dụng các phụ tùng thiết bị thay thế của Makita.

Thay chổi than

► **Hình9:** 1. Vạch giới hạn

Kiểm tra chổi than thường xuyên.

Thay chổi than khi chúng bị mòn dưới vạch giới hạn. Giữ các chổi than sạch và có thể trượt dễ dàng vào chỗ giữ chổi. Cả hai chổi than phải được thay thế cùng một lúc. Chỉ sử dụng các chổi than giống nhau.

1. Sử dụng tua vít để tháo nắp giá đỡ chổi than.

2. Tháo chổi than đã mòn ra, lắp chổi than mới và cố định nắp giữ chổi than.

► **Hình10:** 1. Nắp giữ chổi

PHỤ KIỆN TỰY CHỌN

⚠ THẬN TRỌNG: Các phụ kiện hoặc phụ tùng gắn thêm này được khuyến cáo sử dụng với dụng cụ Makita của bạn theo như quy định trong hướng dẫn này. Việc sử dụng bất cứ phụ kiện hoặc phụ tùng gắn thêm nào khác đều có thể gây ra rủi ro thương tích cho người. Chỉ sử dụng phụ kiện hoặc phụ tùng gắn thêm cho mục đích đã quy định sẵn của chúng.

Nếu bạn cần bất kỳ sự hỗ trợ nào để biết thêm chi tiết về các phụ tùng này, hãy hỏi Trung tâm Dịch vụ của Makita tại địa phương của bạn.

- Lưới cửa kiểm
- Hộp nhựa chứa dụng cụ

LƯU Ý: Một số mục trong danh sách có thể được bao gồm trong gói dụng cụ làm phụ kiện tiêu chuẩn. Các mục này ở mỗi quốc gia có thể khác nhau.



ข้อมูลจำเพาะ

| | | |
|--------------------------|-----------------------------|--------|
| รุ่น: | JR3061T | |
| ระยะชักใบเลื่อย | 32 mm | |
| ระยะชักต่อนาที | 0 - 3,000 min ⁻¹ | |
| ความสามารถในการตัดสูงสุด | ท่อ (ด้วยใบเลื่อย 300 mm) | 130 mm |
| | ไม้ (ด้วยใบเลื่อย 305 mm) | 255 mm |
| ความยาวโดยรวม | 487 mm | |
| น้ำหนักสุทธิ | 3.8 kg | |
| มาตรฐานความปลอดภัย | ☐/II | |

- เนื่องจากการค้นคว้าวิจัยและพัฒนาอย่างต่อเนื่อง ข้อมูลจำเพาะในเอกสารฉบับนี้อาจเปลี่ยนแปลงได้โดยไม่ต้องแจ้งให้ทราบล่วงหน้า
- ข้อมูลจำเพาะอาจแตกต่างกันไปในแต่ละประเทศ
- น้ำหนักตามข้อบังคับของ EPTA 01/2014

สัญลักษณ์

ต่อไปนี้เป็นสัญลักษณ์ที่อาจใช้สำหรับอุปกรณ์ โปรดศึกษาความหมายของสัญลักษณ์ให้เข้าใจก่อนการใช้งาน

| | |
|---|---------------------|
|  | อ่านคู่มือการใช้งาน |
|  | ฉนวนสองชั้น |



สำหรับประเทศในสหภาพยุโรปเท่านั้น
 เนื่องจากในอุปกรณ์มีส่วนประกอบอันตราย อุปกรณ์ไฟฟ้าและอิเล็กทรอนิกส์ที่ใช้แล้วจึงอาจส่งผลต่อสิ่งแวดล้อมและสุขภาพของมนุษย์ในเชิงลบ
 อย่าทิ้งเครื่องใช้ไฟฟ้าและอิเล็กทรอนิกส์ร่วมกับวัสดุเหลือทิ้งในครัวเรือน!
 เพื่อให้เป็นไปตามกฎระเบียบของยุโรปว่าด้วยขยะจากอุปกรณ์ไฟฟ้าและอิเล็กทรอนิกส์ รวมถึงการบังคับใช้ตามกฎหมายภายในประเทศ ควรมีการจัดเก็บอุปกรณ์ไฟฟ้าและอิเล็กทรอนิกส์ที่ใช้แล้วแยกต่างหากและส่งไปยังจุดรับขยะต่างหากในเขตเทศบาลซึ่งมีการดำเนินการตามระเบียบว่าด้วยการดูแลสิ่งแวดล้อม โดยระบุด้วยสัญลักษณ์เส้นคาคขวางรูปถังขยะแบบมีล้อไว้บนอุปกรณ์

จุดประสงค์การใช้งาน

เครื่องมือนี้ใช้สำหรับเลื่อยไม้ พลาสติก และวัสดุโลหะ

แหล่งจ่ายไฟ

ควรเชื่อมต่อเครื่องมือกับแหล่งจ่ายไฟที่มีแรงดันไฟฟ้าตามที่ระบุไว้ในป้ายข้อมูลของเครื่องมือ และจะต้องใช้ไฟฟ้ากระแสสลับแบบเฟสเดียวเท่านั้น อุปกรณ์นี้ได้รับการคุ้มครองของชั้นและสามารถใช้กับปลั๊กไฟที่ไม่มีสายดินได้

คำเตือนด้านความปลอดภัย

คำเตือนด้านความปลอดภัยของเครื่องมือไฟฟ้าทั่วไป

คำเตือน: โปรดอ่านคำเตือนด้านความปลอดภัย คำแนะนำ ภาพประกอบ และข้อมูลจำเพาะต่างๆ ที่หามาพร้อมกับเครื่องมือไฟฟ้านี้อย่างละเอียด การไม่ปฏิบัติตามคำแนะนำดังต่อไปนี้ อาจส่งผลให้เกิดไฟฟ้าช็อต ไฟไหม้ และ/หรือได้รับบาดเจ็บอย่างร้ายแรงได้

เก็บรักษาคำเตือนและคำแนะนำทั้งหมดไว้

เป็นข้อมูลอ้างอิงในอนาคต

คำว่า “เครื่องมือไฟฟ้า” ในคำเตือนนี้หมายถึงเครื่องมือไฟฟ้า (มีสาย) ที่ทำงานโดยใช้กระแสไฟฟ้าหรือเครื่องมือไฟฟ้า (ไร้สาย) ที่ทำงานโดยใช้แบตเตอรี่

ความปลอดภัยของพื้นที่ทำงาน

1. ดูแลพื้นที่ทำงานให้มีความสะอาดและมีแสงไฟสว่าง พื้นที่รกกระเกะกระริดหรือมืดทึบอาจนำไปสู่การเกิดอุบัติเหตุได้
2. อย่าใช้งานเครื่องมือไฟฟ้าในสภาพที่อาจเกิดการระเบิด เช่น ในสถานที่ที่มีของเหลว ก๊าซ หรือฝุ่นผงที่มีคุณสมบัติไวไฟ เครื่องมือไฟฟ้าอาจสร้างประกายไฟและจุดชนวนฝุ่นผงหรือก๊าซดังกล่าว
3. ดูแลไม่ให้มีเด็ก หรือบุคคลอื่นอยู่ในบริเวณที่กำลังใช้เครื่องมือไฟฟ้า การมีสิ่งรบกวนสมาธิอาจทำให้คุณสูญเสียการควบคุม

ความปลอดภัยด้านไฟฟ้า

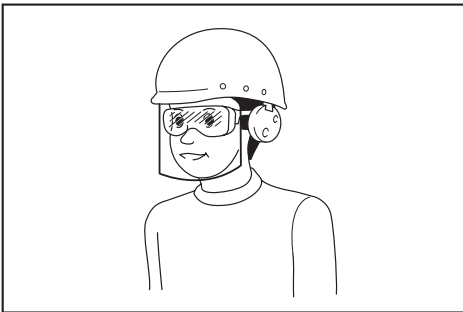
1. ปลั๊กของเครื่องมือไฟฟ้าต้องพอดีกับเต้ารับ อย่าดัดแปลงปลั๊กไม่ว่ากรณีใดๆ อย่าใช้ปลั๊กอะแดปเตอร์กับเครื่องมือไฟฟ้าที่ต่อสายดิน ปลั๊กที่ไม่ถูกดัดแปลงและเต้ารับที่เข้ากันพอดีจะช่วยลดความเสี่ยงของการเกิดไฟฟ้าช็อต
2. ระมัดระวังให้ร่างกายสัมผัสกับพื้นผิวที่ต่อสายดิน เช่น ท่อ เครื่องนำความร้อน เตาหุงต้ม และตู้เย็น มีความเสี่ยงที่จะเกิดไฟฟ้าช็อตตุงขึ้น หากร่างกายของคุณสัมผัสกับพื้น

3. อย่าให้เครื่องมือไฟฟ้าถูกน้ำหรืออยู่ในสภาพเปียกชื้น น้ำที่ไหลเข้าไปในเครื่องมือไฟฟ้าจะเพิ่มความเสี่ยงของการเกิดไฟฟ้าช็อต
4. อย่าใช้สายไฟอย่างไม่เหมาะสม อย่าใช้สายไฟเพื่อยก ดึง หรือถอดปลั๊กเครื่องมือไฟฟ้า เก็บสายไฟให้ห่างจากความร้อน น้ำมัน ของมีคม หรือชิ้นส่วนที่เคลื่อนที่ สายที่ชำรุดหรือพันกันจะเพิ่มความเสี่ยงของการเกิดไฟฟ้าช็อต
5. ขณะที่ใช้งานเครื่องมือไฟฟ้านอกอาคาร ควรใช้สายต่อพ่วงที่เหมาะสมกับงานภายนอกอาคาร การใช้สายที่เหมาะสมกับงานภายนอกอาคารจะลดความเสี่ยงของการเกิดไฟฟ้าช็อต
6. หากต้องใช้งานเครื่องมือไฟฟ้าในสถานที่เปียกชื้น ให้ใช้อุปกรณ์ป้องกันกระแสไฟรั่ว (RCD) การใช้ RCD จะลดความเสี่ยงของการเกิดไฟฟ้าช็อต
7. แนะนำให้ใช้แหล่งจ่ายไฟผ่าน RCD ที่มีกระแสไฟรั่วในอัตราไม่เกิน 30 mA เสมอ
8. เครื่องมือไฟฟ้าอาจสร้างสนามแม่เหล็ก (EMF) ที่ไม่เป็นอันตรายต่อผู้ใช้ อย่างไรก็ตาม ผู้ใช้ที่ใส่เครื่องกระตุ้นหัวใจและอุปกรณ์ทางการแพทย์ที่คล้ายกันนี้ ควรติดต่อผู้ผลิตอุปกรณ์และ/หรือแพทย์เพื่อรับคำแนะนำก่อนใช้งานเครื่องมือไฟฟ้านี้
9. อย่าจับปลั๊กไฟด้วยมือที่เปียก
10. หากสายไฟชำรุด โปรดให้ผู้ผลิตหรือตัวแทนของผู้ผลิตเปลี่ยนให้ เพื่อหลีกเลี่ยงอันตราย

ความปลอดภัยส่วนบุคคล

1. ให้ระมัดระวังและมึสติอยู่เสมอขณะใช้งานเครื่องมือไฟฟ้า อย่าใช้งานเครื่องมือไฟฟ้าในขณะที่คุณกำลังเหนื่อย หรือในสภาพที่มึนเมาจากยาเสพติด เครื่องดื่ม แอลกอฮอล์ หรือการาริชาชา ช่วงเวลาที่ขาดความระมัดระวังเมื่อกำลังใช้งานเครื่องมือไฟฟ้าอาจทำให้ได้รับบาดเจ็บร้ายแรง
2. ใช้อุปกรณ์ป้องกันส่วนบุคคล สวมแว่นตาป้องกันเสมอ อุปกรณ์ป้องกัน เช่น หน้ากากกันฝุ่น รองเท้านิรภัย กันลื่น หมวกนิรภัย หรือเครื่องป้องกันการไต่ยีนที่ใช้ในสภาพที่เหมาะสมจะช่วยลดการบาดเจ็บ
3. ป้องกันไม่ให้เกิดการเปิดใช้งานโดยไม่ตั้งใจ ตรวจสอบให้แน่ใจว่าสวิตช์ปิดอยู่ก่อนที่จะเชื่อมต่อกับแหล่งจ่ายไฟ และ/หรือชุดแบตเตอรี่ รวมทั้งตรวจสอบก่อนการยกหรือเคลื่อนย้ายเครื่องมือ การสอดนิ้วมือบริเวณสวิตช์เพื่อถือเครื่องมือไฟฟ้า หรือการชาร์จไฟเครื่องมือไฟฟ้าในขณะที่เปิดสวิตช์อยู่อาจนำไปสู่การเกิดอุบัติเหตุ

4. นำกุญแจปรับตั้งหรือประแจออกก่อนที่จะเปิดเครื่องมือไฟฟ้า ประแจหรือกุญแจที่เสียบค้างอยู่ในชิ้นส่วนที่หมุนได้ของเครื่องมือไฟฟ้าอาจทำให้ได้รับบาดเจ็บ
5. อย่าทำงานในระบะที่สึดเอ็ดม จัดทำการยึนและการทรงตัวให้เหมาะสมตลอดเวลา เพราะจะทำให้ควบคุมเครื่องมือไฟฟ้าได้ดีขึ้นในสถานการณ์ที่ไม่คาดคิด
6. แต่งกายให้เหมาะสม อย่าสวมเครื่องแต่งกายที่หลวมเกินไป หรือสวมเครื่องประดับ ดูแลไม่ให้เส้นผมและเสื้อผ้าอยู่ใกล้ชิ้นส่วนที่เคลื่อนที่ เสื้อผ้ารุ่มร่าม เครื่องประดับ หรือผมที่มีความยาวอาจเข้าไปติดในชิ้นส่วนที่เคลื่อนที่
7. หากมีการจัดอุปกรณ์สำหรับดูดและจัดเก็บฝุ่นไว้ในสถานที่ ให้ตรวจสอบว่าได้เชื่อมต่อและใช้งานอุปกรณ์นั้นอย่างเหมาะสม การใช้เครื่องดูดและจัดเก็บฝุ่นจะช่วยลดอันตรายที่เกิดจากฝุ่นผงได้
8. อย่าให้ความคุ้นเคยจากการใช้งานเครื่องมือเป็นประจำทำให้คุณทำตามตามสบายและละเลยหลักการเพื่อความปลอดภัยในการใช้เครื่องมือ การกระทำที่ไม่ระมัดระวังอาจทำให้เกิดการบาดเจ็บร้ายแรงภายในเสี้ยววินาที
9. สวมใส่แว่นครอบตารักษาภัยเพื่อปกป้องดวงตาของคุณจากการบาดเจ็บเมื่อใช้เครื่องมือไฟฟ้า แว่นครอบตาจะต้องได้มาตรฐาน ANSI Z87.1 ในสหรัฐอเมริกา, EN 166 ในยุโรป หรือ AS/NZS 1336 ในออสเตรเลีย/นิวซีแลนด์ ในออสเตรเลีย/นิวซีแลนด์ จะต้องสวมเกราะป้องกันใบหน้าเพื่อปกป้องใบหน้าของคุณอย่างถูกต้องตามกฎหมายด้วย



ผู้ว่าจ้างมีหน้าที่รับผิดชอบในการบังคับผู้ใช้งานเครื่องมือและบุคคลอื่นๆ ที่อยู่ในบริเวณที่ปฏิบัติงานให้ใช้อุปกรณ์ป้องกันที่เหมาะสม

การใช้และดูแลเครื่องมือไฟฟ้า

1. อย่าฝืนใช้เครื่องมือไฟฟ้า ใช้เครื่องมือไฟฟ้าที่เหมาะสมกับการใช้งานของคุณ เครื่องมือไฟฟ้าที่เหมาะสมจะทำให้ได้งานที่มีประสิทธิภาพและปลอดภัยกว่าตามขีดความสามารถของเครื่องที่ได้รับการออกแบบมา

2. อย่าใช้เครื่องมือไฟฟ้า หากสวิตช์ไม่สามารถเปิดปิดได้ เครื่องมือไฟฟ้าที่ควบคุมด้วยสวิตช์ไม่ได้เป็นสิ่งอันตรายและต้องได้รับการซ่อมแซม
3. ถอดปลั๊กจากแหล่งจ่ายไฟ และ/หรือชุดแบตเตอรี่ออกจากเครื่องมือไฟฟ้าก่อนทำการปรับตั้ง เปลี่ยนอุปกรณ์เสริม หรือจัดเก็บเครื่องมือไฟฟ้า วิธีการป้องกันด้านความปลอดภัยดังกล่าวจะช่วยลดความเสี่ยงในการเปิดใช้งานเครื่องมือไฟฟ้าโดยไม่ตั้งใจ
4. จัดเก็บเครื่องมือไฟฟ้าที่ไม่ได้ใช้งานให้ห่างจากมือเด็ก และอย่าอนุญาตให้บุคคลที่ไม่คุ้นเคยกับเครื่องมือไฟฟ้าหรือคำแนะนำเหล่านี้ใช้งานเครื่องมือไฟฟ้า เครื่องมือไฟฟ้าจะเป็นอันตรายเมื่ออยู่ในมือของผู้ที่ไม่ได้รับการฝึกอบรม
5. บำรุงรักษาเครื่องมือไฟฟ้าและอุปกรณ์เสริม ตรวจสอบการประกอบที่ไม้ถูกต้องหรือการเชื่อมต่อของชิ้นส่วนที่เคลื่อนที่ การแตกหักของชิ้นส่วน หรือสภาพอื่นๆ ที่อาจส่งผลกระทบต่อการทำงานของเครื่องมือไฟฟ้า หากมีความเสียหาย ให้นำเครื่องมือไฟฟ้าไปซ่อมแซมก่อนการใช้งาน อุบัติเหตุจำนวนมากเกิดจากการดูแลรักษาเครื่องมือไฟฟ้าอย่างไม่ถูกต้อง
6. ทำความสะอาดเครื่องมือตัดและลับให้คงอยู่เสมอ เครื่องมือการตัดที่มีการดูแลอย่างถูกต้องและมีขอบการตัดคมมักจะมีปัญหาติดขัดน้อยและควบคุมได้ง่ายกว่า
7. ใช้เครื่องมือไฟฟ้า อุปกรณ์เสริม และวัสดุสิ้นเปลือง ฯลฯ ตามคำแนะนำดังกล่าว พิจารณาสภาพการทำงานและงานที่จะลงมือทำ การใช้เครื่องมือไฟฟ้าเพื่อทำงานอื่นนอกเหนือจากที่กำหนดไว้อาจทำให้เกิดอันตราย

8. ดูแลมือจับและบริเวณมือจับให้แห้ง สะอาด และไม่มีไขมันและจาระบีเปื้อน มือจับและบริเวณมือจับที่ลื่นจะทำให้ไม่สามารถจับและควบคุมเครื่องมือได้อย่างปลอดภัยในสถานการณ์ที่ไม่คาดคิด
9. ขณะใช้งานเครื่องมือ อย่าสวมใส่ถุงมือผ้าที่อาจเข้าไปติดในเครื่องมือได้ หากถุงมือผ้าเข้าไปติดในชิ้นส่วนที่กำลังเคลื่อนที่ที่อยู่อาจทำให้ได้รับบาดเจ็บ

การซ่อมบำรุง

1. นำเครื่องมือไฟฟ้าเข้ารับบริการจากช่างซ่อมที่ผ่านการรับรองโดยใช้อะไหล่แบบเดียวกันเท่านั้น เพราะจะทำให้การใช้เครื่องมือไฟฟ้ามีความปลอดภัย
2. ปฏิบัติตามคำแนะนำในการหล่อลื่นและการเปลี่ยนอุปกรณ์เสริม

คำเตือนด้านความปลอดภัยของเลื่อย อเนกประสงค์

1. ถือเครื่องมือบริเวณมือจับที่เป็นฉนวน ขณะทำงานที่เครื่องมือตัดอาจสัมผัสกับสายไฟที่ซ่อนอยู่หรือสายไฟของเครื่องเอง เครื่องมือตัดที่สัมผัสกับสายไฟที่ “มีกระแสไฟฟ้าไหลผ่าน” อาจทำให้ส่วนที่เป็นโลหะของเครื่องมือไฟฟ้าที่ไม่มีฉนวนหุ้ม “มีกระแสไฟฟ้าไหลผ่าน” และทำให้ผู้ปฏิบัติงานถูกไฟฟ้าช็อตได้
2. ใช้ปากกาจับหรือวิธีการปฏิบัติอื่นๆ เพื่อยึดและรองรับชิ้นงานไว้บนพื้นที่ที่มั่นคง การใช้มือจับชิ้นงานหรือยึดชิ้นงานไว้กับร่างกายจะทำให้เกิดความไม่มั่นคงและสูญเสียการควบคุมได้
3. สวมแว่นตานิรภัยหรือแว่นครอบตาเสมอ แว่นตานิรภัยหรือแว่นกันแดดไม่ใช่แว่นนิรภัย
4. หลีกเลี่ยงการตัดตะปู ตรวจสอบตะปูในชิ้นงานและถอนตะปูออกก่อนทำงาน
5. อย่าตัดชิ้นงานที่มีขนาดใหญ่เกินไป
6. ตรวจสอบสิ่งที่อยู่โดยรอบชิ้นงานก่อนการตัดเพื่อป้องกันไม่ให้ใบเลื่อยโดนพื้น ใต้ ชลข
7. จับเครื่องมือให้แน่น
8. ตรวจสอบให้แน่ใจว่าไม่ตันทันไม้ได้สัมผัสกับชิ้นงานก่อนที่จะเปิดสวิตช์
9. ระวังอย่าให้มีสัมผัสกับชิ้นส่วนที่เคลื่อนที่
10. อย่าปล่อยให้เครื่องมือทำงานค้างไว้ ใช้งานเครื่องมือในขณะที่ยังอยู่ที่นั่น
11. ปิดสวิตช์และรอจนกว่าใบเลื่อยหยุดนิ่งสนิทก่อนที่จะเอาใบเลื่อยออกจากชิ้นงาน
12. ห้ามสัมผัสกับใบมีดหรือชิ้นงานทันทีที่ทำงานเสร็จ เนื่องจากดอกไขควงหรือชิ้นงานอาจมีความร้อนสูงและลวกผิวหนังของคุณได้
13. อย่าใช้เครื่องมือโดยเปิดเครื่องทิ้งไว้เฉยๆ โดยไม่จำเป็น
14. ใช้หน้ากากกันฝุ่น/ควนพิษที่เหมาะสมกับวัสดุและการใช้งานที่คุณกำลังทำงานเสมอ
15. วัสดุบางอย่างอาจมีสารเคมีที่เป็นพิษ ระวังอย่าสูดดมฝุ่นหรือสัมผัสกับผิวหนัง ปฏิบัติตามข้อมูลด้านความปลอดภัยของผู้ผลิตวัสดุ
16. ก่อนใช้งาน ตรวจสอบให้แน่ใจว่าไม่มีวัตถุใดๆ ผิงอยู่ เช่น ท่อไฟฟ้า ท่อน้ำ หรือท่อแก๊สในชิ้นงาน ไม่เช่นนั้น ใบเลื่อยอเนกประสงค์อาจสัมผัสกับวัตถุที่ผิงอยู่ซึ่งจะส่งผลให้เกิดไฟฟ้าช็อต ไฟรั่ว หรือแก๊สรั่วได้

ปฏิบัติตามคำแนะนำเหล่านี้

คำเตือน: อย่าให้ความไม่ระมัดระวังหรือความคุ้นเคยกับผลิตภัณฑ์ (จากการใช้งานซ้ำหลายครั้ง) อยู่เหนือการปฏิบัติตามกฎเกณฑ์ด้านความปลอดภัยในการใช้งาน ผลิตภัณฑ์อย่างเคร่งครัด การใช้งานอย่างไม่เหมาะสมหรือการไม่ปฏิบัติตามกฎเกณฑ์ด้านความปลอดภัยในคู่มือการใช้งานนี้อาจทำให้ได้รับบาดเจ็บร้ายแรง

คำอธิบายการทำงาน

ข้อควรระวัง: ตรวจสอบให้แน่ใจว่าได้ปิดสวิตช์เครื่องมือและถอดปลั๊กออกก่อนปรับตั้งหรือตรวจสอบการทำงานของเครื่องมือ

การทำงานของสวิตช์

คำเตือน: ก่อนเสียบปลั๊กเครื่องมือ ให้ตรวจสอบว่าสวิตช์สั่งงานสามารถทำงานได้อย่างถูกต้อง และกลับไปยังตำแหน่ง “OFF” เมื่อปล่อย

คำเตือน: สวิตช์สามารถล็อกในตำแหน่ง “เปิด” เพื่อช่วยให้สะดวกในการใช้งานอย่างต่อเนื่อง ใช้ความระมัดระวังเมื่อล็อกสวิตช์เครื่องมือในตำแหน่ง “เปิด” และจับเครื่องมือให้แน่นตลอดเวลา

ข้อควรระวัง: ปรับสวิตช์สั่งงานให้อยู่ที่ตำแหน่ง OFF เมื่อมีการถอดปลั๊กกะทันหัน ไฟดับ หรือไฟดับโดยไม่ได้ใจ มิฉะนั้น เครื่องมืออาจเริ่มทำงานทันทีเมื่อมีไฟฟ้าและอาจทำให้ได้รับบาดเจ็บได้

เมื่อต้องการเริ่มใช้งานเครื่องมือ เพียงกดสวิตช์สั่งงาน ความเร็วของเครื่องมือจะเพิ่มขึ้นเมื่อออกแรงกดที่สวิตช์สั่งงาน ปล่อยสวิตช์สั่งงานเพื่อหยุด ถ้าต้องการให้เครื่องมือทำงานอย่างต่อเนื่อง ให้กดสวิตช์สั่งงานและกดปุ่มล็อก ถ้าต้องการเลิกใช้งานเครื่องมือในตำแหน่งล็อก ให้กดสวิตช์สั่งงานจนสุด จากนั้นปล่อยสวิตช์

► หมายเลข 1: 1. สวิตช์สั่งงาน 2. ปุ่มปลดล็อก

การปรับปลด

เมื่อใบเลื่อยอเนกประสงค์มีประสิทธิภาพในการตัดลดลงในจุดหนึ่งตามแนวขอบการตัด ให้เปลี่ยนตำแหน่งปลดเพื่อใช้ประโยชน์ในส่วนขอบการตัดที่ยังคมและไม่ได้ใช้งาน ซึ่งจะช่วยให้ยืดอายุการใช้งานของใบเลื่อยอเนกประสงค์ได้ ตำแหน่งของปลดสามารถปรับได้ 5 ระดับ ในการเปลี่ยนตำแหน่งปลด ให้ก้านปรับปลดและเลือกตำแหน่งที่เหมาะสม แล้วจึงปิดก้านปรับปลด

► หมายเลข 2: 1. ปลด 2. ก้านปรับปลด

ข้อสังเกต: ฐานรองใบเลื่อยอาจไม่ถูกยึดแน่นหากถูกยึดออกมากกว่าเครื่องหมาย **■** ของตราประทับ **MAX** →
อย่าฝืนปิดก้านปรับฐานรองใบเลื่อยในตำแหน่งดังกล่าวเนื่องจากอาจทำให้ก้านหักได้

หมายเหตุ: ปลอกจะไม่สามารถปรับได้หากเปิดก้านปรับปลอกไม่สุด

การเปิดดวงไฟด้านหน้า

▶ **หมายเลข 3:** 1. ดวงไฟ

⚠ ข้อควรระวัง: อย่ามองเข้าไปในดวงไฟหรือจ้องดูแหล่งกำเนิดแสงโดยตรง

เมื่อต้องการเปิดดวงไฟ ให้กดสวิตช์สั่งงาน ปุ่มสวิตช์สั่งงานเพื่อปิดดวงไฟ

หมายเหตุ: ใช้ผ้าแห้งเพื่อเช็ดสิ่งสกปรกออกจากเลนส์ของดวงไฟ ระวังอย่าขีดข่วนเลนส์ของดวงไฟ ไม่เช่นนั้น อาจทำให้ส่องสว่างได้น้อยลง

ข้อเกี่ยว

⚠ ข้อควรระวัง: ตรวจสอบให้แน่ใจว่าปิดสวิตช์และถอดปลั๊กออกแล้วเมื่อแขวนเครื่องมือ

⚠ ข้อควรระวัง: อย่าแขวนเครื่องมือที่ตำแหน่งสูงหรือตำแหน่งที่อาจไม่มั่นคง

⚠ ข้อควรระวัง: อย่าเกี่ยวเครื่องมือไว้กับเข็มขัดหรือเครื่องประดับอื่นๆ ใบเลื่อยอเนกประสงค์อาจสัมผัสเข้ากับร่างกายของคุณและทำให้ได้รับบาดเจ็บสาหัสได้

▶ **หมายเลข 4:** 1. ข้อเกี่ยว

ข้อเกี่ยวเหมาะสำหรับใช้แขวนเครื่องมือชั่วคราวในการใช้งานข้อเกี่ยว ให้ยกข้อเกี่ยวขึ้นจนติดเข้ากับตำแหน่งเปิด

เมื่อไม่ใช้งานแล้ว ให้เอาข้อเกี่ยวลงจนติดเข้ากับตำแหน่งปิด

การประกอบ

⚠ ข้อควรระวัง: ตรวจสอบให้แน่ใจว่าได้ปิดสวิตช์เครื่องมือและถอดปลั๊กออกก่อนดำเนินการใดๆ กับเครื่องมือ

การติดตั้งหรือถอดใบเลื่อยอเนกประสงค์

⚠ ข้อควรระวัง: ทำความสะอาดเศษชิ้นส่วนหรือสิ่งแปลกปลอมที่ติดอยู่กับใบเลื่อยและรอบตัวหนีบใบเลื่อยเสมอ มิฉะนั้นอาจทำให้ชิ้นใบเลื่อยไม่แน่นพอ ซึ่งส่งผลให้เกิดการบาดเจ็บร้ายแรง

ในการติดตั้งใบเลื่อยอเนกประสงค์ ให้ตรวจสอบว่าก้านตัวหนีบใบเลื่อย (ส่วนของปลอกตัวหนีบใบเลื่อย) อยู่ในตำแหน่งปล่อย **☐** บนที่ครอบหมุนก่อนใส่ใบเลื่อยอเนกประสงค์เข้าไป ถ้าก้านตัวหนีบใบเลื่อยอยู่ในตำแหน่งที่ยึดไว้ ให้หมุนก้านตัวหนีบใบเลื่อยในทิศทางตามลูกศรเพื่อให้สามารถถอดได้ในตำแหน่งปล่อย **☐**

▶ **หมายเลข 5:** 1. ก้านตัวหนีบใบเลื่อย 2. ตำแหน่งปล่อย 3. ตำแหน่งยึด

ใส่ใบเลื่อยอเนกประสงค์เข้าไปในตัวหนีบใบเลื่อยจนสุด ปลอกตัวหนีบใบเลื่อยจะหมุนและยึดใบเลื่อยอเนกประสงค์ไว้ ตรวจสอบให้แน่ใจว่าไม่สามารถดึงใบเลื่อยอเนกประสงค์ออกมาได้แม้ว่าจะพยายามดึงออกมากก็ตาม

▶ **หมายเลข 6:** 1. ใบเลื่อยอเนกประสงค์ 2. ปลอกตัวหนีบใบเลื่อย

⚠ ข้อควรระวัง: ถ้าคุณใส่ใบเลื่อยอเนกประสงค์ไม่ถูกต้อง ใบเลื่อยอเนกประสงค์อาจถูกดีดออกมาอย่างไม่คาดคิดระหว่างการทำงาน ซึ่งจะเป็นอันตรายอย่างมาก

เมื่อต้องการถอดใบเลื่อยอเนกประสงค์ออก ให้หมุนก้านตัวหนีบใบเลื่อยในทิศทางตามลูกศรจนสุด ใบเลื่อยอเนกประสงค์จะถูกถอดออกและก้านตัวหนีบใบเลื่อยจะอยู่กับที่ตามตำแหน่งที่ปล่อย **☐**

▶ **หมายเลข 7:** 1. ใบเลื่อยอเนกประสงค์ 2. ก้านตัวหนีบใบเลื่อย

⚠ ข้อควรระวัง: ให้มือและนิ้วอยู่ห่างจากก้านระหว่างการสลับ มิฉะนั้น อาจก่อให้เกิดการบาดเจ็บได้

หมายเหตุ: ถ้าคุณถอดใบเลื่อยอเนกประสงค์ออกโดยไม่หมุนก้านตัวหนีบใบเลื่อยจนสุด ก้านจะไม่ถูกล็อกอยู่กับในตำแหน่งปล่อย **☐** ในกรณีนี้ ให้หมุนก้านตัวหนีบใบเลื่อยจนสุดอีกครั้ง แล้วตรวจสอบว่าก้านตัวหนีบใบเลื่อยถูกล็อกอยู่ในตำแหน่งปล่อย **☐**

หมายเหตุ: ถ้าก้านตัวหนีบใบเลื่อยอยู่ด้านในเครื่องมือ ให้เปิดเครื่องมือสักครู่เพื่อให้ใบเลื่อยออกมา ถอดปลั๊กเครื่องมือก่อนติดตั้งหรือถอดใบเลื่อยอเนกประสงค์

การใช้งาน

⚠ ข้อควรระวัง: ใช้มือข้างหนึ่งถือเครื่องมือให้แน่นที่ฝาครอบคนวนและมืออีกข้างจับที่มือจับสวิตช์เสมอ

⚠ ข้อควรระวัง: กดล็อกเข้าหาชิ้นงานให้แน่นในระหว่างการทำงานเสมอ ถ้าปลดล็อกถอดออกหรืออยู่ห่างจากชิ้นงานในระหว่างการทำงาน จะเกิดการสั่นสะเทือนและ/หรือการบิดอย่างแรง ทำให้ใบเลื่อยสะบัดซึ่งก่อให้เกิดอันตราย

⚠ ข้อควรระวัง: ใส่ถุงมือเสมอเพื่อป้องกันมือของคุณจากเศษชิ้นส่วนร้อนๆ ที่ปลิวมาระหว่างการตัดโลหะ

⚠ ข้อควรระวัง: ตรวจสอบให้แน่ใจว่าสวมอุปกรณ์ป้องกันดวงตาที่เหมาะสมซึ่งเป็นไปตามมาตรฐานแห่งชาติในปัจจุบันเสมอ

⚠ ข้อควรระวัง: ใช้สารหล่อเย็น (น้ำมันตัดกลึง) ที่เหมาะสมเมื่อตัดโลหะเสมอ มิฉะนั้น อาจทำให้ใบเลื่อยสึกหรอก่อนเวลาอันควร

⚠ ข้อควรระวัง: อย่าเปลี่ยนทิศทางใบเลื่อยอย่างฉับพลันระหว่างการตัด

กดปลดล็อกเข้าหาชิ้นงานให้แน่น อย่าปล่อยให้เครื่องมือตั้งใบเลื่อยเอนกระสงค์เข้าสัมผัสกับชิ้นงานเบาๆ ชั้นแรกให้ทำร่องนำโดยใช้ความเร็วช้า แล้วค่อยใช้ความเร็วมากขึ้นเพื่อทำการตัดต่อไป

▶ หมายเลข 8

ข้อสังเกต: อย่าตัดชิ้นงานโดยที่ฐานรองใบเลื่อยอยู่ห่างจากชิ้นงานหรือไม่มีฐานรองใบเลื่อย เนื่องจากจะเพิ่มแรงสะทอนกลับที่ทำให้ใบเลื่อยเอนกระสงค์แตกหักได้

การบำรุงรักษา

⚠ ข้อควรระวัง: ตรวจสอบให้แน่ใจว่าได้ปิดสวิตช์เครื่องมือและถอดปลั๊กออกก่อนทำการตรวจสอบหรือบำรุงรักษา

ข้อสังเกต: อย่าใช้น้ำมันเชื้อเพลิง เบนซิน ทินเนอร์ แอลกอฮอล์ หรือวัสดุประเภทเดียวกัน เนื่องจากอาจทำให้ลื่นลื่น ขี้ผึ้ง หรือแตกเร็วได้

เพื่อความปลอดภัยและนำเชื้อถือของผลิตภัณฑ์ ควรให้ศูนย์บริการหรือโรงงานที่ผ่านการรับรองจาก Makita เป็นผู้ดำเนินการซ่อมแซม บำรุงรักษาและทำการปรับตั้งอื่นๆ นอกจากนี้ให้ใช้อะไหล่ของแท้จาก Makita เสมอ

การเปลี่ยนแปลงคาร์บอน

▶ หมายเลข 9: 1. ชีตจำกัด

ตรวจสอบแปรงคาร์บอนเป็นประจำ เปลี่ยนแปรงคาร์บอนเมื่อสึกหรอจนถึงขีดจำกัด รักษาแปรงคาร์บอนให้สะอาด และอย่าให้แปรงคาร์บอนหลุดเข้าไปในที่ยึด ควรเปลี่ยนแปลงคาร์บอนทั้งสองแปรงพร้อมกัน ใช้แปรงคาร์บอนแบบเดียวกันเท่านั้น

1. ใช้ไขควงเพื่อถอดฝาปิดที่ยึดแปรงออก

2. นำแปรงคาร์บอนที่สึกหรอออกมา ใส่แปรงคาร์บอนใหม่เข้าไป และปิดฝาปิดที่ยึดแปรงให้แน่น

▶ หมายเลข 10: 1. ฝาปิดที่ยึดแปรง

อุปกรณ์เสริม

⚠ ข้อควรระวัง: ขอแนะนำให้ใช้เฉพาะอุปกรณ์เสริมหรืออุปกรณ์ต่อพ่วงเหล่านี้กับเครื่องมือ Makita ที่ระบุในคู่มือการใช้อุปกรณ์เสริมหรืออุปกรณ์ต่อพ่วงอื่นๆ อาจมีความเสี่ยงที่จะได้รับบาดเจ็บ ใช้อุปกรณ์เสริมหรืออุปกรณ์ต่อพ่วงตามวัตถุประสงค์ที่ระบุไว้เท่านั้น

หากต้องการทราบรายละเอียดเพิ่มเติมเกี่ยวกับอุปกรณ์เสริมเหล่านี้ โปรดสอบถามศูนย์บริการ Makita ใกล้บ้านคุณ

- ใบเลื่อยเอนกระสงค์
- กระเป๋าดึงพลาสติก

หมายเหตุ: อุปกรณ์บางรายการอาจจะรวมอยู่ในชุดเครื่องมือเป็นอุปกรณ์มาตรฐาน ซึ่งอาจแตกต่างกันไปในแต่ละประเทศ

Makita Corporation

3-11-8, Sumiyoshi-cho,

Anjo, Aichi 446-8502 Japan

www.makita.com

885655B377
EN_ZHCHN_ID, MS,
VI_TH
20210219