

PRODUCT CODE

电动机 Motor

Z
5
BLD
90
-
220
-
GN(L)
-
25S
-
M

①
②
③
④
⑤
⑥
⑦
⑧

①	公司名称 Comanpy	中大电机 ZD MOTOR			
②	型号尺寸 Model & Dimension				
	座机号 Code	2	4	5	6
	电机安装法兰 Mounting flange mm	□60	□80	□90	□104
	机壳尺寸 Case dimension	60*60	80*80	90*90	104*104
③	电机种类 Motor type	BLD: 无刷直流电机 BLD: DC Brushless gear motor			
④	输出功率(W) Output power (W)	(例e.g) 90: 90W			
⑤	电源电压 Voltage	(例e.g) 24: 24VDC (可选电压24V~48VDC, 单相100V~120VAC, 单相220V~240VAC, 50/60Hz) 24: 24VDC (Optional voltage 24V~48VDC, single phase 100V~120VAC, single phase 220V~240VAC, 50/60Hz)			
⑥	相对于方型减速箱 Relative to square type gear box:				
	齿轴形状 Motor shaft type	GN: GN型齿轮轴 GN type gear shaft GU: GU型齿轮轴 GU type gear shaft			
	相对于L型减速箱 L type gearbox:				
	齿轴形状 Shaft shape	GNL: GN型L系列齿轮轴 (主要为2&4系列) Type L GN series gear shaft (Mainly for 2&4 series) GUL: GU型L系列齿轮轴 (主要为5&6系列) Type L GU series gear shaft (Mainly for 5&6 series)			
⑦	光电机出轴形状 Shape of the output shaft:				
	A: 圆轴型 Circular shaft type	A1: 键槽型 Keyway type			
⑧	电机转速 Motor speed	(例e.g) 25S: 2500RPM 低压时为30S Low voltage for 30S			
⑧	电机附加配件 M: 电磁刹车器 BFE: 闭环反馈方式, 一般指电机增加编码器 (包括简易型霍尔编码器) Motor parts M: Electromagnetic brake BFE: Closed loop feedback mode, generally refers to the motor to increase the encoder (Including the simple holzer encoder)				

方型减速箱 Square Shape Gearbox

5
GN
50
K

①
②
③
④

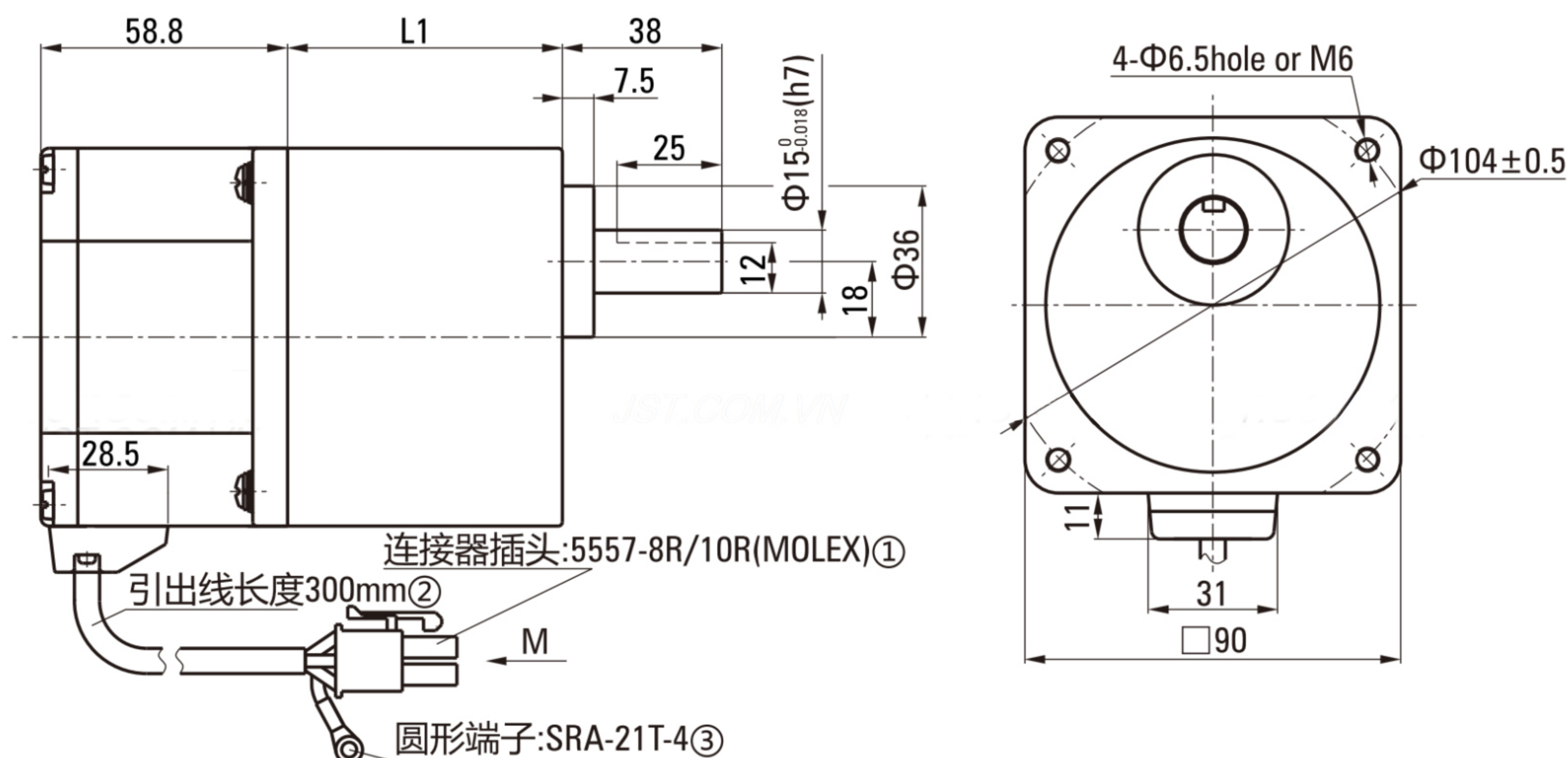
①	减速机安装尺寸 Gearhead frame size	2: 60mm 4: 80mm 5: 90mm 6: 104mm
②	类型 Gear type	GN: GN型齿轮 GN type gear GU: GU型齿轮轴 GU type gear
③	减速比 Gear ratio	(例e.g) 50: 减速比 50: Reduction ratio
④	轴承种类 Bearing type	K: 滚珠轴承 (对GU型方箱体标注为KB) K: Ball bearing (On the GU type square box marked as KB)

L Type Gearbox

5
GU
50
LC

①
②
③
④

①	减速机安装尺寸 Gearhead frame size	2: 60mm 4: 80mm 5: 90mm 6: 104mm
②	类型 Gear type	GN: GN型齿轮轴 (针对L系列2&4) Type GN gear shaft (For L series 2&4) GU: GU型齿轮轴 (针对L系列5&6) Type GU gear shaft (For L series 5&6)
③	减速比 Gear ratio	(例e.g) 50: 减速比 50: Reduction ratio
④	减速箱类型 Bearing type	LC: L型空心轴输出减速器 L type hollow shaft output reducer RC: 弧锥齿空心轴输出 Hollow shaft output of spiral bevel gear RT: 弧锥齿实心轴输出 Solid shaft output of spiral bevel gear



● 键 · 键槽 Key · Keyway

