

Miniature Circuit Breakers & Residual Current Devices (L-Series)



LS ELECTRIC

FUTURING

Leading the way with new innovations that exceed our customers expectations.

SMART

Creating an efficient and convenient future through convergence of Information and Communication Technology(ICT) and integration of sophisticated technologies.

ENERGY

Creating an abundant future by delivering safe and clean energy.



- LS ELECTRIC is leading the power system and automation sectors of the nation's industry concentrating all our effort and energy on 'product quality' and 'innovative ideas'
- LS ELECTRIC provides a power system and automated solution for efficiency and sustainability.



LS group is a global conglomerate based in South Korea.
Spun off for growth from LG group in 2003. LS is an industry leader in electric power, automation, machinery, material and energy.



Contents

▪ Product Appearance	06	▪ RCBO	33
▪ Order System	07	▪ RCCB	57
▪ Product Selection Guide	08	▪ Accessories	65
▪ MCB	10	▪ Technical data	71
▪ Switch-Disconnecter	31		

Miniature Circuit Breakers & Residual Current Devices

(L-Series)

The best solution for perfect safety environment, customer satisfaction through best quality and service.

User-Friendly for installation

Streamline your distribution board installation with unified terminal height and handle position across all MCB products for ultimate convenience



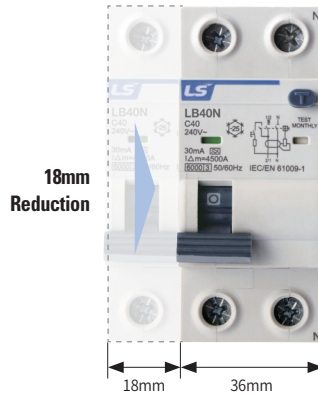
Enhanced insulation by insulation barrier

Boost insulation performance with the option to add an insulation barrier

Streamlined Design & Compact Size

LA100H 100A MCB is 18mm wide (based on 1P), 9mm smaller than the existing product

LB40N/LB40H RCBO is 36mm wide (based on 1P+N), 18mm smaller than MCB+RCD combined product



User-friendly for verification
"Easily verify the circuit breaker's on/off position with the built-in indicator"



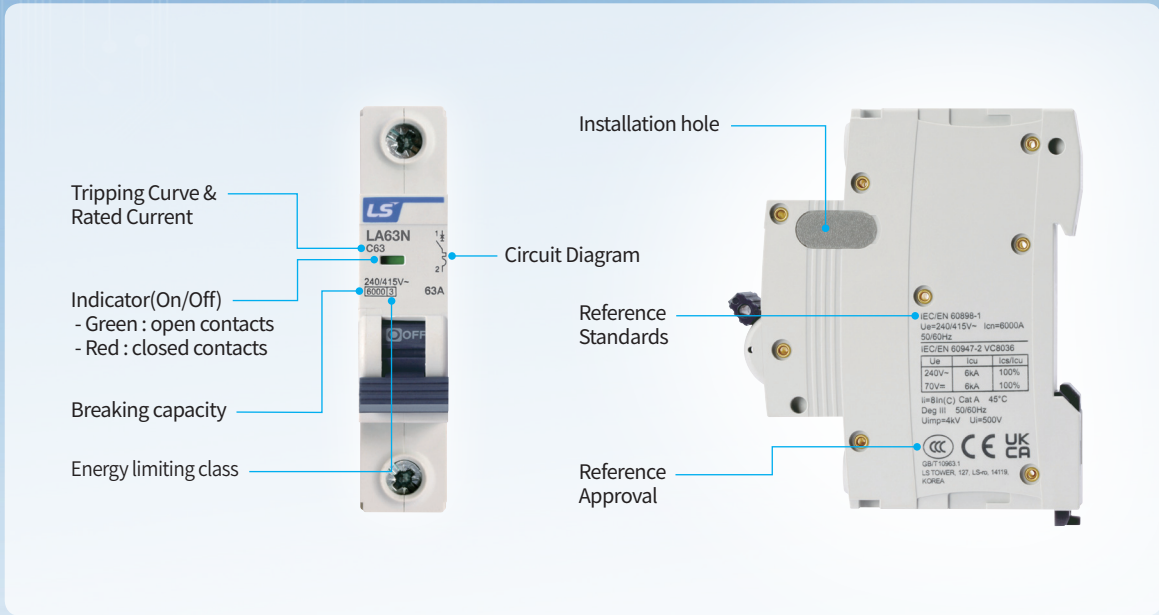
High performance, same size breaker
The breaker achieves high performance ratings of 4.5kA, 6kA, 10kA, and 15kA while maintaining the same compact size."



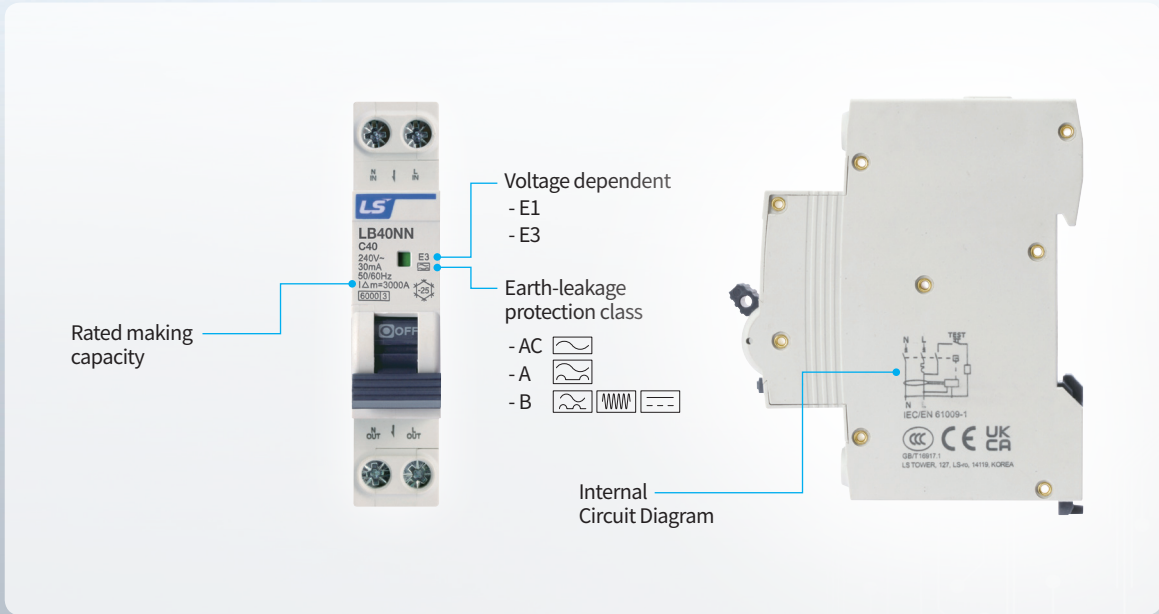
Extensive Product Range
Choose from a range of earth leakage protection models, customized to suit your specific applications
- AC type, A type, B type and time delay (AC/A type)

Product Appearance

MCB



RCBO / RCCB



MCB / RCBO / RCCB

LA	63	H	-	1P	B	63
Type	AF	Breaking Capacity	Special function	Pole	Trip Curve	Rated Current
LS MCB	32	E 4.5kA	Blank Single terminal	1P	B	1, 2, 3, 4, 6, 10, 13, 16, 20, 25, 32, 40, 50, 63, 80, 100, 125A
	40	N 6kA	d Dual terminal	1P+N	C	
	63	H 10kA	DC DC	2P	D	
	100	L 15kA	P Plug-in	3P		
	125	D Switch disconnectors		3P+N		
				4P		

LB	63	N	-	1P+N	B	63	30mA	AC type
Type	AF	Breaking Capacity	Special function	Pole	Trip Curve	Rated Current	Earth leakage sensitivity	Earth leakage protection class
LS RCBO	32	N 6kA	Blank Single terminal	1P+N	B	1, 2, 3, 4, 6, 10, 13, 16, 20, 25, 32, 40, 50, 63, 80, 100, 125A	10mA	AC type
	40	H 10kA	d Dual terminal	2P	C		30mA	A type
	50		B B-type	3P+N	D		50mA	B type
	63		N 18mm 1P+N	4P			100mA	
			W With wire				300mA	
			4 Only 4Pole					

LC	63	N	-	1P+N	63	30mA	AC type
Type	AF	Breaking Capacity(Inc)	Special function	Pole	Rated Current	Earth leakage sensitivity	Earth leakage protection class
LS RCCB	63	N 6kA	Blank Single terminal	1P+N	16, 25, 32, 40, 50, 63, 80, 100A	30mA	AC type
	80	H 10kA	d Dual terminal	3P+N		100mA	A type
	100		B B-type			300mA	AC(S) type
			R N phase on the right side				A(S) type
							B type

LA/LB/LC	AX
Type	Product
L-Series	AX Auxiliary contact PB Plug-in Base
	AL Alarm contact BB Busbar
	U/OVT UVT/OVT EC End cap
	SHT Shunt BC Busbar cap
	MOP Motor Operator HL Handle lock

Product Selection Guide

MCB, Switch-Disconnecter



Type	MCB(Miniature circuit breaker)				
	LA40E	LA40N	LA63E	LA63N	LA63H
Protection	Overload/short circuit	Overload/short circuit	Overload/short circuit	Overload/short circuit	Overload/short circuit
Standards	IEC/EN 60898-1	IEC/EN 60898-1	IEC/EN 60898-1	IEC/EN 60898-1/ 60947-2	IEC/EN 60898-1/ 60947-2
Rated voltage (Ue)	240VAC	240VAC	240/415VAC	240/415VAC, 70/125VDC	240/415VAC, 70/125VDC
Poles	1P+N	1P+N	1P, 1P+N, 2P, 3P, 3P+N, 4P	1P, 1P+N, 2P, 3P, 3P+N, 4P	1P, 1P+N, 2P, 3P, 3P+N, 4P
Rated current (In)	1, 2, 3, 4, 6, 10, 13, 16, 20, 25, 32, 40A	1, 2, 3, 4, 6, 10, 13, 16, 20, 25, 32, 40A	1, 2, 3, 4, 6, 10, 13, 16, 20, 25, 32, 40, 50, 63A	1, 2, 3, 4, 6, 10, 13, 16, 20, 25, 32, 40, 50, 63A	1, 2, 3, 4, 6, 10, 13, 16, 20, 25, 32, 40, 50, 63A
Breaking capacity	4.5kA	6kA	4.5kA	6kA	10kA
Isolation function	Yes	Yes	Yes	Yes	Yes
Tripping curve	B, C, D	B, C, D	B, C, D	B, C, D	B, C, D
Electrical durability	4000	4000	10000	10000	10000
Mechanical durability	10000	10000	20000	20000	20000
Terminal capacity	Cable up to 16mm ²	Cable up to 16mm ²	Cable up to 25mm ²	Cable up to 25mm ²	Cable up to 25mm ²
Accessory	-	-	AX, AL, SHT, U/OVT	AX, AL, SHT, U/OVT	AX, AL, SHT, U/OVT
Catalogue page	10P, 69P, 71P	10P, 69P, 71P	12P, 69P, 71P	12P, 69P, 71P	12P, 69P, 71P

RCBO, RCCB



Type	RCBO(Residual Current Breaker with Overcurrent protection)				
	LB40NN	LB40N	LB40H	LB40NB	LB63N
Protection	Leakage current/ Overload/Short circuit	Leakage current/ Overload/Short circuit	Leakage current/ Overload/Short circuit	Leakage current/ Overload/Short circuit	Leakage current/ Overload/Short circuit
Standards	IEC/EN 61009-1	IEC/EN 61009-1	IEC/EN 61009-1	IEC/EN 61009-1, 62423	IEC/EN 61009-1
Operation type	AC, A	AC, A	AC, A	B	AC, A
Rated voltage (Ue)	240VAC	240/415VAC	240/415VAC	240/415VAC	240VAC
Poles	1P+N	1P+N, 3P+N	1P+N, 3P+N	1P+N, 3P+N	1P+N
Rated current (In)	6, 10, 13, 16, 20, 25, 32, 40A	6, 10, 13, 16, 20, 25, 32, 40A	6, 10, 13, 16, 20, 25, 32, 40A	6, 10, 13, 16, 20, 25, 32, 40A	6, 10, 13, 16, 20, 25, 32, 40, 50, 63A
Breaking capacity	6kA	6kA	10kA	6kA	6kA
Isolation function	Yes	Yes	Yes	Yes	Yes
Tripping curve	B, C	B, C, D	B, C, D	B, C, D	B, C, D
Sensitivity, mA	10, 30, 100, 300	30, 100, 300	30, 100, 300	30, 100, 300	30, 50, 100, 300
Terminal capacity	Cable up to 16mm ²	Cable up to 16mm ²	Cable up to 16mm ²	Cable up to 16mm ²	Cable up to 25mm ²
Accessory	-	AX, AL, SHT, U/OVT	AX, AL, SHT, U/OVT	AX, AL, SHT, U/OVT	AX, AL, SHT, U/OVT
Catalogue page	33P, 70P, 72P	35P, 70P, 72P	35P, 70P, 72P	40P, 70P, 72P	42P, 70P, 72P

* LC63N's neutral is on the left of RCCB and LC63NR's neutral is on the right of RCCB * LC100H's neutral is on the left of RCCB and LC100HR's neutral is on the right of RCCB
 ** AC(S), A(S) is Earth-leakage protection time delayed product



MCB(Miniature circuit breaker)					Switch-Disconnector
LA63L	LA100H	LA125H	LA63HP	LA63HDC	LA125D
Overload/short circuit	Overload/short circuit	Overload/short circuit	Overload/short circuit	Overload/short circuit	-
IEC/EN 60898-1/ 60947-2	IEC/EN 60947-2	IEC/EN 60947-2	IEC/EN 60947-2	IEC/EN 60947-2	IEC/EN 60947-3
240/415VAC, 70/125VDC	240/415VAC	240/415VAC	240/415VAC	250/500/750/ 1000VDC	240/415VAC
1P, 1P+N, 2P, 3P, 3P+N, 4P	1P, 2P, 3P, 4P	1P, 2P, 3P, 4P	1P, 2P, 3P, 4P	1P, 2P, 3P, 4P	1P, 2P, 3P, 4P
1, 2, 3, 4, 6, 10, 13, 16, 20, 25, 32, 40, 50, 63A	63, 80, 100A	10, 16, 20, 25, 32, 40, 50, 63, 80, 100, 125A	6, 10, 13, 16, 20, 25, 32, 40, 50, 63A	1, 2, 3, 4, 6, 10, 13, 16, 20, 25, 32, 40, 50, 63A	40, 50, 63, 80, 100, 125A
AC 1~4A : 70kA AC 6~32A : 25kA AC 40~63A : 15kA DC 1~63A : 15kA	10kA	10~63A : 20kA 80~125A : 10kA	10kA	10kA	-
Yes	Yes	Yes	Yes	Yes	Yes
B, C, D	C(8In), D(12In)	C(8In), D(12In)	B(4In), C(8In)	C(6In), D(12In)	-
10000	1500	1500	4000	1500	1500(125A 1000)
20000	10000	10000	10000	20000	10000
Cable up to 25mm ²	Cable up to 50mm ²	Cable up to 50mm ²	Cable up to 25mm ²	Cable up to 25mm ²	Cable up to 50mm ²
AX, AL, SHT, U/OVT	AX, AL, SHT, U/OVT	AX, AL, SHT, U/OVT	-	AX, AL, SHT	AX
12P, 69P, 71P	21P, 69P, 72P	23P, 69P, 72P	25P, 69P, 71P	27P, 70P, 71P	31P



RCBO(Residual Current Breaker with Overcurrent protection)				RCCB(Residual Current Circuit Breaker)		
LB63H	LB63H4	LB50HW	LB63HW	LC63N/LC63NR*	LC100H/LC100HR*	LC80HB
Leakage current/ Overload/Short circuit	Leakage current/ Overload/Short circuit	Leakage current/ Overload/Short circuit	Leakage current/ Overload/Short circuit	Leakage current	Leakage current	Leakage current
IEC/EN 61009-1	IEC/EN 61009-1	IEC/EN 61009-1	IEC/EN 61009-1	IEC/EN 61008-1	IEC/EN 61008-1	IEC/EN 61008-1, 62423
AC, A	AC, A	AC, A	AC, A	AC, A	AC, A, AC(S)** , A(S)**	B
240VAC	415VAC	230/240VAC	400/415VAC	240/415VAC	240/415VAC	240/415VAC
2P	4P	1P+N	3P+N	1P+N, 3P+N	1P+N, 3P+N	1P+N, 3P+N
6, 10, 13, 16, 20, 25 32, 40, 50, 63A	6, 10, 13, 16, 20, 25 32, 40, 50, 63A	6, 10, 13, 16, 20 25, 32, 40, 50A	6, 10, 13, 16, 20, 25, 32, 40, 50, 63A	16, 25, 32, 40, 50, 63A	16, 25, 32, 40, 50, 63, 80, 100A	16, 25, 32, 40, 50, 63, 80A
10kA	10kA	10kA	10kA	-	-	-
Yes	Yes	Yes	Yes	Yes	Yes	Yes
B, C, D	B, C, D	B, C, D	B, C, D	-	-	-
30, 50, 100, 300	30, 50, 100, 300	10, 30, 100, 300	10, 30, 100, 300	30, 100, 300	30, 100, 300	30, 100, 300
Cable up to 25mm ²	Cable up to 25mm ²	Cable up to 25mm ²	Cable up to 25mm ²	Cable up to 25mm ²	Cable up to 50mm ²	Cable up to 50mm ²
-	-	-	-	AX, AL, SHT, U/OVT	AX, AL, SHT, U/OVT	AX, AL, SHT, U/OVT
45P, 70P, 72P	48P, 70P, 72P	51P, 70P, 72P	54P, 70P, 72P	57P	60P	63P

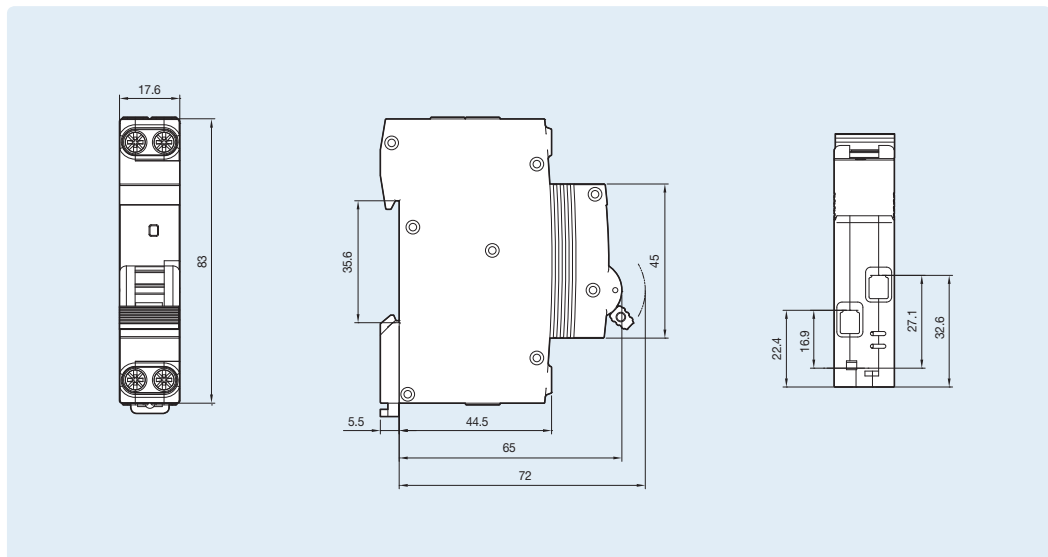
LA40E / LA40N 1P+N MCB

Specifications



Type		LA40E	LA40N
Electrical Feature	Standards	IEC/EN 60898-1	IEC/EN 60898-1
	Approvals	CE, CB, UKCA, CCC	CE, CB, UKCA, CCC
	Poles	1P+N	1P+N
	Rated current (In)	1, 2, 3, 4, 6, 10, 13, 16, 20, 25, 32, 40A	1, 2, 3, 4, 6, 10, 13, 16, 20, 25, 32, 40A
	Rated voltage (Ue) IEC60898-1	240VAC	240VAC
	Insulation voltage (Ui)	500V	500V
	Frequency	50/60Hz	50/60Hz
	Energy limiting class	3 (Only for B/C curve)	3 (Only for B/C curve)
	Rated impulse withstand voltage (Uimp)	4kV	4kV
	Rated short-circuit breaking capacity (Icn) IEC60898-1	4.5kA	6kA
	Rated service breaking capacity (Ics) IEC60898-1	4.5kA	6kA
	Tripping curve	B, C, D	B, C, D
	Polution degree	Deg III	Deg III
	Mechanical Feature	Electrical durability	4000
Mechanical durability		10000	10000
Protection degree		IP20	IP20
Operating temperature		-30...70 °C	-30...70 °C
Storage temperature		-40...80 °C	-40...80 °C
Installation	Type of terminal	Lug terminal	Lug terminal
	Terminal capacity	Cable up to 16mm ²	Cable up to 16mm ²
	Tightening torque	1.2 N.m	1.2 N.m
	Mounting	35mm Din Rail	35mm Din Rail
Accessories	AX	-	-
	AL	-	-
	SHT	-	-
	UVT/OVT	-	-

Dimension



Order number

LA40E (1~40A)

1P+N MCB(4.5kA) LA40E 1P+N



LA40E 1P+N C40

Type	Ue (V)	Breaking Capacity	In (A)	Order Number			Width module	Weight (g)	Packing (pcs.)
				B curve	C curve	D curve			
1P+N	240 VAC	4.5kA	1A	90680001C0	90680013C0	90680025C0	2	125	12
			2A	90680002C0	90680014C0	90680026C0			
			3A	90680003C0	90680015C0	90680027C0			
			4A	90680004C0	90680016C0	90680028C0			
			6A	90680005C0	90680017C0	90680029C0			
			10A	90680006C0	90680018C0	90680030C0			
			13A	90680007C0	90680019C0	90680031C0			
			16A	90680008C0	90680020C0	90680032C0			
			20A	90680009C0	90680021C0	90680033C0			
			25A	90680010C0	90680022C0	90680034C0			
			32A	90680011C0	90680023C0	90680035C0			
			40A	90680012C0	90680024C0	90680036C0			

* 1 Width module=9 mm

LA40N (1~40A)

1P+N MCB(6kA) LA40N 1P+N



LA40N 1P+N C40

Type	Ue (V)	Breaking Capacity	In (A)	Order Number			Width module	Weight (g)	Packing (pcs.)
				B curve	C curve	D curve			
1P+N	240 VAC	6kA	1A	90690001C0	90690013C0	90690025C0	2	125	12
			2A	90690002C0	90690014C0	90690026C0			
			3A	90690003C0	90690015C0	90690027C0			
			4A	90690004C0	90690016C0	90690028C0			
			6A	90690005C0	90690017C0	90690029C0			
			10A	90690006C0	90690018C0	90690030C0			
			13A	90690007C0	90690019C0	90690031C0			
			16A	90690008C0	90690020C0	90690032C0			
			20A	90690009C0	90690021C0	90690033C0			
			25A	90690010C0	90690022C0	90690034C0			
			32A	90690011C0	90690023C0	90690035C0			
			40A	90690012C0	90690024C0	90690036C0			

* 1 Width module=9 mm

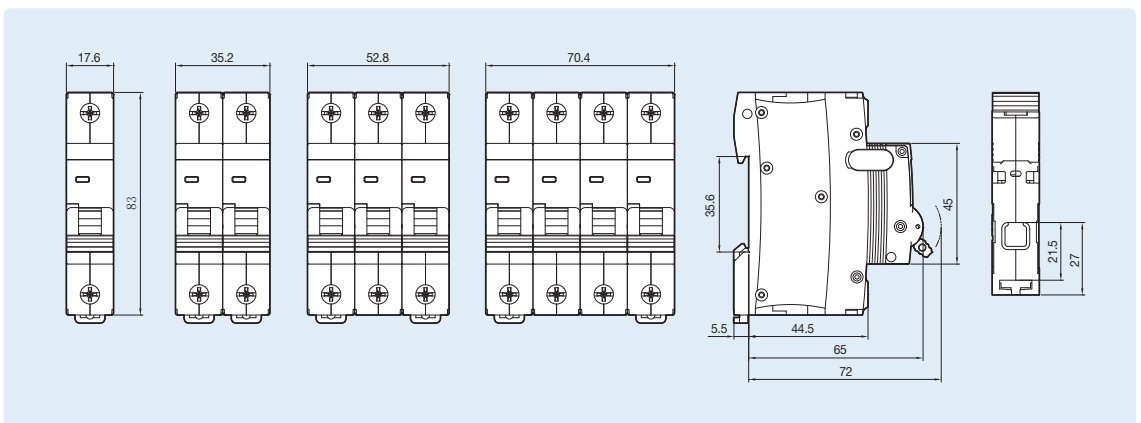
LA63E / LA63N / LA63H / LA63L 4.5kA, 6kA, 10kA, 15kA MCB

Specifications



Type	LA63E	LA63N	LA63H	LA63L
Standards	IEC/EN 60898-1	IEC/EN 60898-1/60947-2	IEC/EN 60898-1/60947-2	IEC/EN 60898-1/60947-2
Approvals	CE, CB, UKCA, CCC	CE, CB, UKCA, CCC	CE, CB, UKCA, CCC	CE, CB, UKCA, CCC
Poles	1P, 1P+N, 2P, 3P, 3P+N, 4P	1P, 1P+N, 2P, 3P, 3P+N, 4P	1P, 1P+N, 2P, 3P, 3P+N, 4P	1P, 1P+N, 2P, 3P, 3P+N, 4P
Rated current (In)	1, 2, 3, 4, 6, 10, 13, 16, 20, 25, 32, 40, 50, 63A	1, 2, 3, 4, 6, 10, 13, 16, 20, 25, 32, 40, 50, 63A	1, 2, 3, 4, 6, 10, 13, 16, 20, 25, 32, 40, 50, 63A	1, 2, 3, 4, 6, 10, 13, 16, 20, 25, 32, 40, 50, 63A
Rated voltage (Ue) IEC60898-1	1P: 240/415VAC 1P+N: 230/240VAC 2~4P: 400/415V	1P: 240/415VAC 1P+N: 230/240VAC 2~4P: 400/415V	1P: 240/415VAC 1P+N: 230/240VAC 2~4P: 400/415V	1P: 240/415VAC 1P+N: 240VAC 2~4P: 415V
Rated voltage (Ue) IEC60947-2	-	1P & 1P+N: 230/240VAC 2~4P: 400/415VAC 1P: 70VDC 2~4P: 125VDC	1P & 1P+N: 230/240VAC 2~4P: 400/415VAC 1P: 70VDC 2~4P: 125VDC	1P & 1P+N: 230/240VAC 2~4P: 400/415VAC 1P: 70VDC 2~4P: 125VDC
Insulation voltage (Ui)	500V	500V	500V	500V
Frequency	50/60Hz	50/60Hz	50/60Hz	50/60Hz
Energy limiting class	3 (Only for B/C curve)	3 (Only for B/C curve)	3 (Only for B/C curve)	-
Rated impulse withstand voltage (Uimp)	4kV	4kV	4kV	4kV
Rated short-circuit breaking capacity (Icn) IEC60898-1	4.5kA	6kA	10kA	15kA
Rated Ultimate short-circuit breaking capacity (Icu) IEC60947-2	-	AC: 6kA DC: 6kA	AC: 10kA DC: 10kA	AC 1~4A: 70kA AC 6~32A: 25kA AC 40~63A: 15kA DC 1~63A: 15kA
Rated service breaking capacity (Ics) IEC60898-1	4.5kA	6kA	7.5kA	7.5kA
Rated service breaking capacity (Ics) IEC60947-2	-	AC: 6kA DC: 6kA	AC: 7.5kA DC: 7.5kA	AC 1~4A: 70kA AC 6~32A: 12.5kA AC 40~63A: 7.5kA DC 1~63A: 7.5kA
Tripping curve	B, C, D	B, C, D	B, C, D	B, C, D
Pollution degree	Deg III	Deg III	Deg III	Deg III
Electrical durability	10000	10000	10000	10000
Mechanical durability	20000	20000	20000	20000
Protection degree	IP20	IP20	IP20	IP20
Operating temperature	-30...70 °C	-30...70 °C	-30...70 °C	-30...70 °C
Storage temperature	-40...80 °C	-40...80 °C	-40...80 °C	-40...80 °C
Type of terminal	Lug terminal	Lug terminal	Lug terminal	Lug terminal
Terminal capacity	Cable up to 25mm ²	Cable up to 25mm ²	Cable up to 25mm ²	Cable up to 25mm ²
Tightening torque	2 N.m	2 N.m	2 N.m	2 N.m
Mounting	35mm Din Rail	35mm Din Rail	35mm Din Rail	35mm Din Rail
AX	LA-AX	LA-AX	LA-AX	LA-AX
AL	LA-AL	LA-AL	LA-AL	LA-AL
SHT	LA-SHT	LA-SHT	LA-SHT	LA-SHT
UVT/OVT	LA-U/OVT	LA-U/OVT	LA-U/OVT	LA-U/OVT

Dimension



Order number

LA63E (1~63A)

MCB(4.5kA) LA63E P/P+N



LA63E 1P C63



LA63E 1P+N C63



LA63E 2P C63

Type	Ue (V)	Breaking Capacity	In (A)	Order Number			Width module	Weight (g)	Packing (pcs.)
				B curve	C curve	D curve			
1P	240/415 VAC	4.5kA	1A	90700001C0	90700015C0	90700029C0	2	110	12
			2A	90700002C0	90700016C0	90700030C0			
			3A	90700003C0	90700017C0	90700031C0			
			4A	90700004C0	90700018C0	90700032C0			
			6A	90700005C0	90700019C0	90700033C0			
			10A	90700006C0	90700020C0	90700034C0			
			13A	90700007C0	90700021C0	90700035C0			
			16A	90700008C0	90700022C0	90700036C0			
			20A	90700009C0	90700023C0	90700037C0			
			25A	90700010C0	90700024C0	90700038C0			
			32A	90700011C0	90700025C0	90700039C0			
			40A	90700012C0	90700026C0	90700040C0			
			50A	90700013C0	90700027C0	90700041C0			
			63A	90700014C0	90700028C0	90700042C0			
			1P+N	240 VAC	4.5kA	1A			
2A	90700044C0	90700058C0				90700072C0			
3A	90700045C0	90700059C0				90700073C0			
4A	90700046C0	90700060C0				90700074C0			
6A	90700047C0	90700061C0				90700075C0			
10A	90700048C0	90700062C0				90700076C0			
13A	90700049C0	90700063C0				90700077C0			
16A	90700050C0	90700064C0				90700078C0			
20A	90700051C0	90700065C0				90700079C0			
25A	90700052C0	90700066C0				90700080C0			
32A	90700053C0	90700067C0				90700081C0			
40A	90700054C0	90700068C0				90700082C0			
50A	90700055C0	90700069C0				90700083C0			
63A	90700056C0	90700070C0				90700084C0			
2P	415 VAC	4.5kA				1A	90700085C0	90700099C0	90700113C0
			2A	90700086C0	90700100C0	90700114C0			
			3A	90700087C0	90700101C0	90700115C0			
			4A	90700088C0	90700102C0	90700116C0			
			6A	90700089C0	90700103C0	90700117C0			
			10A	90700090C0	90700104C0	90700118C0			
			13A	90700091C0	90700105C0	90700119C0			
			16A	90700092C0	90700106C0	90700120C0			
			20A	90700093C0	90700107C0	90700121C0			
			25A	90700094C0	90700108C0	90700122C0			
			32A	90700095C0	90700109C0	90700123C0			
			40A	90700096C0	90700110C0	90700124C0			
			50A	90700097C0	90700111C0	90700125C0			
			63A	90700098C0	90700112C0	90700126C0			

* 1 Width module=9 mm

MCB

Order number

LA63E (1~63A)

MCB(4.5kA) LA63E P/P+N



LA63E 3P C63



LA63E 3P+N C63



LA63E 4P C63

Type	Ue (V)	Breaking Capacity	In (A)	Order Number			Width module	Weight (g)	Packing (pcs.)
				B curve	C curve	D curve			
3P	415 VAC	4.5kA	1A	90700127C0	90700141C0	90700155C0	6	330	4
			2A	90700128C0	90700142C0	90700156C0			
			3A	90700129C0	90700143C0	90700157C0			
			4A	90700130C0	90700144C0	90700158C0			
			6A	90700131C0	90700145C0	90700159C0			
			10A	90700132C0	90700146C0	90700160C0			
			13A	90700133C0	90700147C0	90700161C0			
			16A	90700134C0	90700148C0	90700162C0			
			20A	90700135C0	90700149C0	90700163C0			
			25A	90700136C0	90700150C0	90700164C0			
			32A	90700137C0	90700151C0	90700165C0			
			40A	90700138C0	90700152C0	90700166C0			
			50A	90700139C0	90700153C0	90700167C0			
			63A	90700140C0	90700154C0	90700168C0			
3P+N	415 VAC	4.5kA	1A	90700169C0	90700183C0	90700197C0	8	440	3
			2A	90700170C0	90700184C0	90700198C0			
			3A	90700171C0	90700185C0	90700199C0			
			4A	90700172C0	90700186C0	90700200C0			
			6A	90700173C0	90700187C0	90700201C0			
			10A	90700174C0	90700188C0	90700202C0			
			13A	90700175C0	90700189C0	90700203C0			
			16A	90700176C0	90700190C0	90700204C0			
			20A	90700177C0	90700191C0	90700205C0			
			25A	90700178C0	90700192C0	90700206C0			
			32A	90700179C0	90700193C0	90700207C0			
			40A	90700180C0	90700194C0	90700208C0			
			50A	90700181C0	90700195C0	90700209C0			
			63A	90700182C0	90700196C0	90700210C0			
4P	415 VAC	4.5kA	1A	90700211C0	90700225C0	90700239C0	8	440	3
			2A	90700212C0	90700226C0	90700240C0			
			3A	90700213C0	90700227C0	90700241C0			
			4A	90700214C0	90700228C0	90700242C0			
			6A	90700215C0	90700229C0	90700243C0			
			10A	90700216C0	90700230C0	90700244C0			
			13A	90700217C0	90700231C0	90700245C0			
			16A	90700218C0	90700232C0	90700246C0			
			20A	90700219C0	90700233C0	90700247C0			
			25A	90700220C0	90700234C0	90700248C0			
			32A	90700221C0	90700235C0	90700249C0			
			40A	90700222C0	90700236C0	90700250C0			
			50A	90700223C0	90700237C0	90700251C0			
			63A	90700224C0	90700238C0	90700252C0			

* 1 Width module = 9 mm

Order number

LA63N (1~63A)

MCB(6kA) LA63N P/P+N



LA63N 1P C63



LA63N 1P+N C63



LA63N 2P C63

Type	Ue (V)	Breaking Capacity	In (A)	Order Number			Width module	Weight (g)	Packing (pcs.)
				B curve	C curve	D curve			
1P	240/415 VAC	6kA	1A	90710001C0	90710015C0	90710029C0	2	110	12
			2A	90710002C0	90710016C0	90710030C0			
			3A	90710003C0	90710017C0	90710031C0			
			4A	90710004C0	90710018C0	90710032C0			
			6A	90710005C0	90710019C0	90710033C0			
			10A	90710006C0	90710020C0	90710034C0			
			13A	90710007C0	90710021C0	90710035C0			
			16A	90710008C0	90710022C0	90710036C0			
			20A	90710009C0	90710023C0	90710037C0			
			25A	90710010C0	90710024C0	90710038C0			
			32A	90710011C0	90710025C0	90710039C0			
			40A	90710012C0	90710026C0	90710040C0			
			50A	90710013C0	90710027C0	90710041C0			
			63A	90710014C0	90710028C0	90710042C0			
			1P+N	240 VAC	6kA	1A			
2A	90710044C0	90710058C0				90710072C0			
3A	90710045C0	90710059C0				90710073C0			
4A	90710046C0	90710060C0				90710074C0			
6A	90710047C0	90710061C0				90710075C0			
10A	90710048C0	90710062C0				90710076C0			
13A	90710049C0	90710063C0				90710077C0			
16A	90710050C0	90710064C0				90710078C0			
20A	90710051C0	90710065C0				90710079C0			
25A	90710052C0	90710066C0				90710080C0			
32A	90710053C0	90710067C0				90710081C0			
40A	90710054C0	90710068C0				90710082C0			
50A	90710055C0	90710069C0				90710083C0			
63A	90710056C0	90710070C0				90710084C0			
2P	415 VAC	6kA				1A	90710085C0	90710099C0	90710113C0
			2A	90710086C0	90710100C0	90710114C0			
			3A	90710087C0	90710101C0	90710115C0			
			4A	90710088C0	90710102C0	90710116C0			
			6A	90710089C0	90710103C0	90710117C0			
			10A	90710090C0	90710104C0	90710118C0			
			13A	90710091C0	90710105C0	90710119C0			
			16A	90710092C0	90710106C0	90710120C0			
			20A	90710093C0	90710107C0	90710121C0			
			25A	90710094C0	90710108C0	90710122C0			
			32A	90710095C0	90710109C0	90710123C0			
			40A	90710096C0	90710110C0	90710124C0			
			50A	90710097C0	90710111C0	90710125C0			
			63A	90710098C0	90710112C0	90710126C0			

* 1 Width module=9 mm

MCB

Order number

LA63N (1~63A)

MCB(6kA) LA63N P/P+N



LA63N 3P C50



LA63N 3P+N C32



LA63N 4P C32

Type	Ue (V)	Breaking Capacity	In (A)	Order Number			Width module	Weight (g)	Packing (pcs.)
				B curve	C curve	D curve			
3P	415 VAC	6kA	1A	90710127C0	90710141C0	90710155C0	6	330	4
			2A	90710128C0	90710142C0	90710156C0			
			3A	90710129C0	90710143C0	90710157C0			
			4A	90710130C0	90710144C0	90710158C0			
			6A	90710131C0	90710145C0	90710159C0			
			10A	90710132C0	90710146C0	90710160C0			
			13A	90710133C0	90710147C0	90710161C0			
			16A	90710134C0	90710148C0	90710162C0			
			20A	90710135C0	90710149C0	90710163C0			
			25A	90710136C0	90710150C0	90710164C0			
			32A	90710137C0	90710151C0	90710165C0			
			40A	90710138C0	90710152C0	90710166C0			
			50A	90710139C0	90710153C0	90710167C0			
			63A	90710140C0	90710154C0	90710168C0			
3P+N	415 VAC	6kA	1A	90710169C0	90710183C0	90710197C0	8	440	3
			2A	90710170C0	90710184C0	90710198C0			
			3A	90710171C0	90710185C0	90710199C0			
			4A	90710172C0	90710186C0	90710200C0			
			6A	90710173C0	90710187C0	90710201C0			
			10A	90710174C0	90710188C0	90710202C0			
			13A	90710175C0	90710189C0	90710203C0			
			16A	90710176C0	90710190C0	90710204C0			
			20A	90710177C0	90710191C0	90710205C0			
			25A	90710178C0	90710192C0	90710206C0			
			32A	90710179C0	90710193C0	90710207C0			
			40A	90710180C0	90710194C0	90710208C0			
			50A	90710181C0	90710195C0	90710209C0			
			63A	90710182C0	90710196C0	90710210C0			
4P	415 VAC	6kA	1A	90710211C0	90710225C0	90710239C0	8	440	3
			2A	90710212C0	90710226C0	90710240C0			
			3A	90710213C0	90710227C0	90710241C0			
			4A	90710214C0	90710228C0	90710242C0			
			6A	90710215C0	90710229C0	90710243C0			
			10A	90710216C0	90710230C0	90710244C0			
			13A	90710217C0	90710231C0	90710245C0			
			16A	90710218C0	90710232C0	90710246C0			
			20A	90710219C0	90710233C0	90710247C0			
			25A	90710220C0	90710234C0	90710248C0			
			32A	90710221C0	90710235C0	90710249C0			
			40A	90710222C0	90710236C0	90710250C0			
			50A	90710223C0	90710237C0	90710251C0			
			63A	90710224C0	90710238C0	90710252C0			

* 1 Width module = 9 mm

Order number

LA63H (1~63A)

MCB(10kA) LA63H P/P+N



LA63H 1P C63



LA63H 1P+N C63



LA63H 2P C63

Type	Ue (V)	Breaking Capacity	In (A)	Order Number			Width module	Weight (g)	Packing (pcs.)
				B curve	C curve	D curve			
1P	240/415 VAC	10kA	1A	90730001C0	90730015C0	90730029C0	2	128	12
			2A	90730002C0	90730016C0	90730030C0			
			3A	90730003C0	90730017C0	90730031C0			
			4A	90730004C0	90730018C0	90730032C0			
			6A	90730005C0	90730019C0	90730033C0			
			10A	90730006C0	90730020C0	90730034C0			
			13A	90730007C0	90730021C0	90730035C0			
			16A	90730008C0	90730022C0	90730036C0			
			20A	90730009C0	90730023C0	90730037C0			
			25A	90730010C0	90730024C0	90730038C0			
			32A	90730011C0	90730025C0	90730039C0			
			40A	90730012C0	90730026C0	90730040C0			
			50A	90730013C0	90730027C0	90730041C0			
			63A	90730014C0	90730028C0	90730042C0			
			1P+N	240 VAC	10kA	1A			
2A	90730044C0	90730058C0				90730072C0			
3A	90730045C0	90730059C0				90730073C0			
4A	90730046C0	90730060C0				90730074C0			
6A	90730047C0	90730061C0				90730075C0			
10A	90730048C0	90730062C0				90730076C0			
13A	90730049C0	90730063C0				90730077C0			
16A	90730050C0	90730064C0				90730078C0			
20A	90730051C0	90730065C0				90730079C0			
25A	90730052C0	90730066C0				90730080C0			
32A	90730053C0	90730067C0				90730081C0			
40A	90730054C0	90730068C0				90730082C0			
50A	90730055C0	90730069C0				90730083C0			
63A	90730056C0	90730070C0				90730084C0			
2P	415 VAC	10kA				1A	90730085C0	90730099C0	90730113C0
			2A	90730086C0	90730100C0	90730114C0			
			3A	90730087C0	90730101C0	90730115C0			
			4A	90730088C0	90730102C0	90730116C0			
			6A	90730089C0	90730103C0	90730117C0			
			10A	90730090C0	90730104C0	90730118C0			
			13A	90730091C0	90730105C0	90730119C0			
			16A	90730092C0	90730106C0	90730120C0			
			20A	90730093C0	90730107C0	90730121C0			
			25A	90730094C0	90730108C0	90730122C0			
			32A	90730095C0	90730109C0	90730123C0			
			40A	90730096C0	90730110C0	90730124C0			
			50A	90730097C0	90730111C0	90730125C0			
			63A	90730098C0	90730112C0	90730126C0			

* 1 Width module = 9 mm

MCB

Order number

LA63H (1~63A)

MCB(10kA) LA63H P/P+N



LA63H 3P C63



LA63H 3P+N C63



LA63H 4P C63

Type	Ue (V)	Breaking Capacity	In (A)	Order Number			Width module	Weight (g)	Packing (pcs.)
				B curve	C curve	D curve			
3P	415 VAC	10kA	1A	90730127C0	90730141C0	90730155C0	6	384	4
			2A	90730128C0	90730142C0	90730156C0			
			3A	90730129C0	90730143C0	90730157C0			
			4A	90730130C0	90730144C0	90730158C0			
			6A	90730131C0	90730145C0	90730159C0			
			10A	90730132C0	90730146C0	90730160C0			
			13A	90730133C0	90730147C0	90730161C0			
			16A	90730134C0	90730148C0	90730162C0			
			20A	90730135C0	90730149C0	90730163C0			
			25A	90730136C0	90730150C0	90730164C0			
			32A	90730137C0	90730151C0	90730165C0			
			40A	90730138C0	90730152C0	90730166C0			
			50A	90730139C0	90730153C0	90730167C0			
			63A	90730140C0	90730154C0	90730168C0			
3P+N	415 VAC	10kA	1A	90730169C0	90730183C0	90730197C0	8	512	3
			2A	90730170C0	90730184C0	90730198C0			
			3A	90730171C0	90730185C0	90730199C0			
			4A	90730172C0	90730186C0	90730200C0			
			6A	90730173C0	90730187C0	90730201C0			
			10A	90730174C0	90730188C0	90730202C0			
			13A	90730175C0	90730189C0	90730203C0			
			16A	90730176C0	90730190C0	90730204C0			
			20A	90730177C0	90730191C0	90730205C0			
			25A	90730178C0	90730192C0	90730206C0			
			32A	90730179C0	90730193C0	90730207C0			
			40A	90730180C0	90730194C0	90730208C0			
			50A	90730181C0	90730195C0	90730209C0			
			63A	90730182C0	90730196C0	90730210C0			
4P	415 VAC	10kA	1A	90730211C0	90730225C0	90730239C0	8	512	3
			2A	90730212C0	90730226C0	90730240C0			
			3A	90730213C0	90730227C0	90730241C0			
			4A	90730214C0	90730228C0	90730242C0			
			6A	90730215C0	90730229C0	90730243C0			
			10A	90730216C0	90730230C0	90730244C0			
			13A	90730217C0	90730231C0	90730245C0			
			16A	90730218C0	90730232C0	90730246C0			
			20A	90730219C0	90730233C0	90730247C0			
			25A	90730220C0	90730234C0	90730248C0			
			32A	90730221C0	90730235C0	90730249C0			
			40A	90730222C0	90730236C0	90730250C0			
			50A	90730223C0	90730237C0	90730251C0			
			63A	90730224C0	90730238C0	90730252C0			

* 1 Width module = 9 mm

Order number

LA63L (1~63A)

MCB(15kA) LA63L P/P+N



LA63L 1P C63



LA63L 1P+N C63



LA63L 2P C63

Type	Ue (V)	Breaking Capacity	In (A)	Order Number			Width module	Weight (g)	Packing (pcs.)
				B curve	C curve	D curve			
1P	240/415 VAC	15kA	1A	90750001C0	90750015C0	90750029C0	2	128	12
			2A	90750002C0	90750016C0	90750030C0			
			3A	90750003C0	90750017C0	90750031C0			
			4A	90750004C0	90750018C0	90750032C0			
			6A	90750005C0	90750019C0	90750033C0			
			10A	90750006C0	90750020C0	90750034C0			
			13A	90750007C0	90750021C0	90750035C0			
			16A	90750008C0	90750022C0	90750036C0			
			20A	90750009C0	90750023C0	90750037C0			
			25A	90750010C0	90750024C0	90750038C0			
			32A	90750011C0	90750025C0	90750039C0			
			40A	90750012C0	90750026C0	90750040C0			
			50A	90750013C0	90750027C0	90750041C0			
			63A	90750014C0	90750028C0	90750042C0			
			1P+N	240 VAC	15kA	1A			
2A	90750044C0	90750058C0				90750072C0			
3A	90750045C0	90750059C0				90750073C0			
4A	90750046C0	90750060C0				90750074C0			
6A	90750047C0	90750061C0				90750075C0			
10A	90750048C0	90750062C0				90750076C0			
13A	90750049C0	90750063C0				90750077C0			
16A	90750050C0	90750064C0				90750078C0			
20A	90750051C0	90750065C0				90750079C0			
25A	90750052C0	90750066C0				90750080C0			
32A	90750053C0	90750067C0				90750081C0			
40A	90750054C0	90750068C0				90750082C0			
50A	90750055C0	90750069C0				90750083C0			
63A	90750056C0	90750070C0				90750084C0			
2P	415 VAC	15kA				1A	90750085C0	90750099C0	90750113C0
			2A	90750086C0	90750100C0	90750114C0			
			3A	90750087C0	90750101C0	90750115C0			
			4A	90750088C0	90750102C0	90750116C0			
			6A	90750089C0	90750103C0	90750117C0			
			10A	90750090C0	90750104C0	90750118C0			
			13A	90750091C0	90750105C0	90750119C0			
			16A	90750092C0	90750106C0	90750120C0			
			20A	90750093C0	90750107C0	90750121C0			
			25A	90750094C0	90750108C0	90750122C0			
			32A	90750095C0	90750109C0	90750123C0			
			40A	90750096C0	90750110C0	90750124C0			
			50A	90750097C0	90750111C0	90750125C0			
			63A	90750098C0	90750112C0	90750126C0			

* 1 Width module = 9 mm

Order number

LA63L (1~63A)

MCB(15kA) LA63L P/P+N



LA63L 3P C63



LA63L 3P+N C63



LA63L 4P C63

Type	Ue (V)	Breaking Capacity	In (A)	Order Number			Width module	Weight (g)	Packing (pcs.)
				B curve	C curve	D curve			
3P	415 VAC	15kA	1A	90750127C0	90750141C0	90750155C0	6	384	4
			2A	90750128C0	90750142C0	90750156C0			
			3A	90750129C0	90750143C0	90750157C0			
			4A	90750130C0	90750144C0	90750158C0			
			6A	90750131C0	90750145C0	90750159C0			
			10A	90750132C0	90750146C0	90750160C0			
			13A	90750133C0	90750147C0	90750161C0			
			16A	90750134C0	90750148C0	90750162C0			
			20A	90750135C0	90750149C0	90750163C0			
			25A	90750136C0	90750150C0	90750164C0			
			32A	90750137C0	90750151C0	90750165C0			
			40A	90750138C0	90750152C0	90750166C0			
			50A	90750139C0	90750153C0	90750167C0			
			63A	90750140C0	90750154C0	90750168C0			
3P+N	415 VAC	15kA	1A	90750169C0	90750183C0	90750197C0	8	512	3
			2A	90750170C0	90750184C0	90750198C0			
			3A	90750171C0	90750185C0	90750199C0			
			4A	90750172C0	90750186C0	90750200C0			
			6A	90750173C0	90750187C0	90750201C0			
			10A	90750174C0	90750188C0	90750202C0			
			13A	90750175C0	90750189C0	90750203C0			
			16A	90750176C0	90750190C0	90750204C0			
			20A	90750177C0	90750191C0	90750205C0			
			25A	90750178C0	90750192C0	90750206C0			
			32A	90750179C0	90750193C0	90750207C0			
			40A	90750180C0	90750194C0	90750208C0			
			50A	90750181C0	90750195C0	90750209C0			
			63A	90750182C0	90750196C0	90750210C0			
4P	415 VAC	15kA	1A	90750211C0	90750225C0	90750239C0	8	512	3
			2A	90750212C0	90750226C0	90750240C0			
			3A	90750213C0	90750227C0	90750241C0			
			4A	90750214C0	90750228C0	90750242C0			
			6A	90750215C0	90750229C0	90750243C0			
			10A	90750216C0	90750230C0	90750244C0			
			13A	90750217C0	90750231C0	90750245C0			
			16A	90750218C0	90750232C0	90750246C0			
			20A	90750219C0	90750233C0	90750247C0			
			25A	90750220C0	90750234C0	90750248C0			
			32A	90750221C0	90750235C0	90750249C0			
			40A	90750222C0	90750236C0	90750250C0			
			50A	90750223C0	90750237C0	90750251C0			
			63A	90750224C0	90750238C0	90750252C0			

* 1 Width module = 9 mm

LA100H

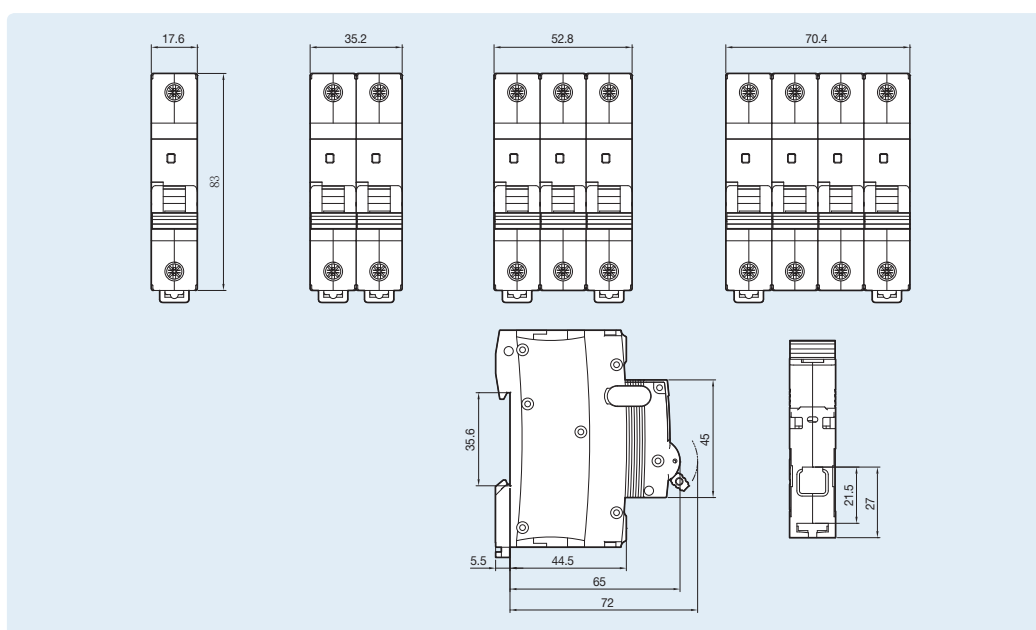
100A MCB

Specifications



Type	LA100H
Standards	IEC/EN 60947-2
Approvals	CE, CB, UKCA, CCC
Poles	1P, 2P, 3P, 4P
Rated current (In)	63, 80, 100A
Rated voltage (Ue) IEC60898-1	-
Rated voltage (Ue) IEC60947-2	1P: 230/240VAC 2~4P: 400/415VAC
Insulation voltage (Ui)	500V
Frequency	50/60Hz
Energy limiting class	-
Rated impulse withstand voltage (Uimp)	4kV
Rated short-circuit breaking capacity (Icu) IEC60947-2	10kA
Rated service breaking capacity (Ics) IEC60947-2	7.5kA
Tripping curve	C(8In), D(12In)
Polution degree	Deg III
Electrical durability	1500
Mechanical durability	10000
Protection degree	IP20
Operating temperature	-30...70 °C
Storage temperature	-40...80 °C
Type of terminal	Lug terminal
Terminal capacity	Cable up to 50mm ²
Tightening torque	3.5 N.m
Mounting	35mm Din Rail
AX	LA-AX
AL	LA-AL
SHT	LA-SHT
UVT/OVT	LA-U/OVT

Dimension



MCB

Order number

LA100H (63~100A)

100A MCB LA100H P

Type	Ue (V)	Breaking Capacity	In (A)	Order Number			Width module	Weight (g)	Packing (pcs.)
				B curve	C curve	D curve			
1P	240 VAC	10kA	63A	-	90780001C0	90780004C0	2	140	12
			80A	-	90780002C0	90780005C0			
			100A	-	90780003C0	90780006C0			
2P	415 VAC	10kA	63A	-	90780007C0	90780010C0	4	280	6
			80A	-	90780008C0	90780011C0			
			100A	-	90780009C0	90780012C0			
3P	415 VAC	10kA	63A	-	90780013C0	90780016C0	6	420	4
			80A	-	90780014C0	90780017C0			
			100A	-	90780015C0	90780018C0			
4P	415 VAC	10kA	63A	-	90780019C0	90780022C0	8	560	3
			80A	-	90780020C0	90780023C0			
			100A	-	90780021C0	90780024C0			

* 1 Width module = 9 mm



LA100H 1P C63



LA100H 2P C100



LA100H 3P C100



LA100H 4P C100

LA125H

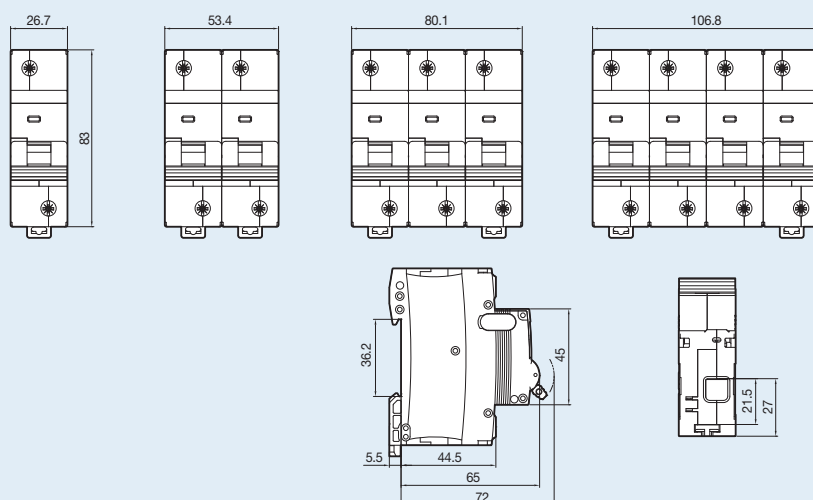
125A MCB

Specifications



Type	LA125H	
Standards	IEC/EN 60947-2	
Approvals	CE, CB, UKCA, CCC	
Poles	1P, 2P, 3P, 4P	
Rated current (In)	10, 16, 20, 25, 32, 40, 50, 63, 80, 100, 125A	
Rated voltage (Ue) IEC60898-1	-	
Rated voltage (Ue) IEC60947-2	1P: 230/240VAC 2~4P: 400/415VAC	
Electrical Feature	Insulation voltage (Ui)	690V
Frequency	50/60Hz	
Energy limiting class	-	
Rated impulse withstand voltage (Uimp)	6kV	
Rated short-circuit breaking capacity (Icu) IEC60947-2	20kA(~63A), 10kA(80~125A)	
Rated service breaking capacity (Ics) IEC60947-2	15kA(~63A), 7.5kA(80~125A)	
Tripping curve	C(8In), D(12In)	
Polution degree	Deg III	
Mechanical Feature	Electrical durability	1500
Mechanical durability	10000	
Protection degree	IP20	
Operating temperature	-30...70 °C	
Storage temperature	-40...80 °C	
Installation	Type of terminal	Lug terminal
Terminal capacity	Cable up to 50mm ²	
Tightening torque	2.5 N.m	
Mounting	35mm Din Rail	
Accessories	AX	LA-AX
AL	LA-AL	
SHT	LA-SHT	
UVT/OVT	LA-U/OVT	

Dimension



MCB

Order number

LA125H (10~125A)

125A MCB LA125H P



LA125H 1P C125



LA125H 2P C125



LA125H 3P C125



LA125H 4P C125

Type	Ue (V)	Breaking Capacity	In (A)	Order Number			Width module	Weight (g)	Packing (pcs.)						
				B curve	C curve	D curve									
1P	240 VAC	20kA	10A	-	90790001C0	90790012C0	3	189	12						
			16A	-	90790002C0	90790013C0									
			20A	-	90790003C0	90790014C0									
			25A	-	90790004C0	90790015C0									
			32A	-	90790005C0	90790016C0									
			40A	-	90790006C0	90790017C0									
			50A	-	90790007C0	90790018C0									
		10kA	63A	-	90790008C0	90790019C0									
			80A	-	90790009C0	90790020C0									
			100A	-	90790010C0	90790021C0									
			125A	-	90790011C0	90790022C0									
			2P	415 VAC	20kA	10A				-	90790023C0	90790034C0	6	378	6
						16A				-	90790024C0	90790035C0			
						20A				-	90790025C0	90790036C0			
25A	-	90790026C0				90790037C0									
32A	-	90790027C0				90790038C0									
40A	-	90790028C0				90790039C0									
50A	-	90790029C0				90790040C0									
10kA	63A	-			90790030C0	90790041C0									
	80A	-			90790031C0	90790042C0									
	100A	-			90790032C0	90790043C0									
	125A	-			90790033C0	90790044C0									
	3P	415 VAC			20kA	10A	-	90790045C0	90790056C0	9	567	4			
						16A	-	90790046C0	90790057C0						
						20A	-	90790047C0	90790058C0						
25A			-	90790048C0		90790059C0									
32A			-	90790049C0		90790060C0									
40A			-	90790050C0		90790061C0									
50A			-	90790051C0		90790062C0									
10kA			63A	-	90790052C0	90790063C0									
			80A	-	90790053C0	90790064C0									
			100A	-	90790054C0	90790065C0									
			125A	-	90790055C0	90790066C0									
			4P	415 VAC	20kA	10A	-	90790067C0	90790078C0				12	756	3
						16A	-	90790068C0	90790079C0						
						20A	-	90790069C0	90790080C0						
25A	-	90790070C0				90790081C0									
32A	-	90790071C0				90790082C0									
40A	-	90790072C0				90790083C0									
50A	-	90790073C0				90790084C0									
10kA	63A	-			90790074C0	90790085C0									
	80A	-			90790075C0	90790086C0									
	100A	-			90790076C0	90790087C0									
	125A	-			90790077C0	90790088C0									

* 1 Width module = 9 mm

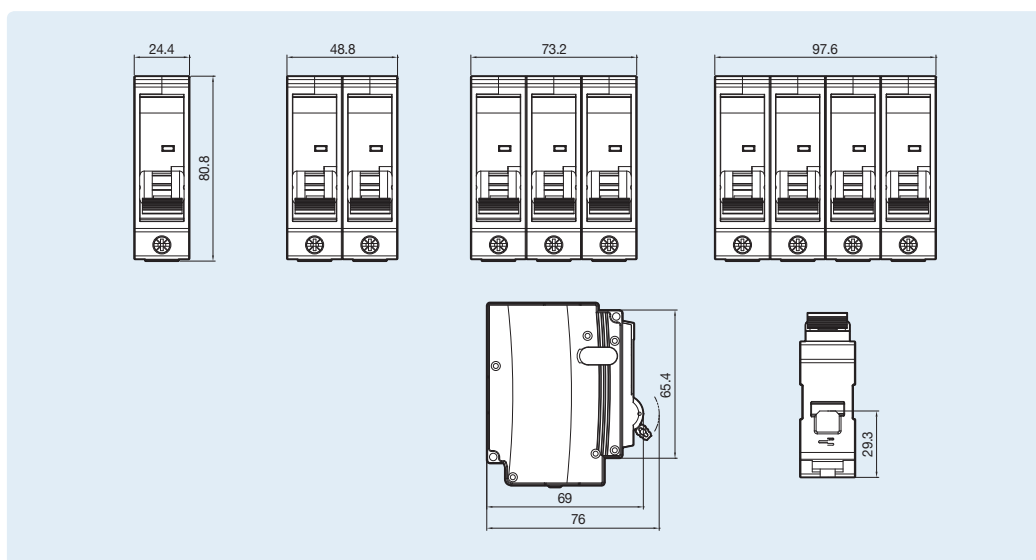
LA63HP Plug-in MCB

Specifications



Type	LA63HP
Standards	IEC/EN 60947-2
Approvals	CE, CB, UKCA, CCC
Poles	1P, 2P, 3P, 4P
Rated current (In)	6, 10, 13, 16, 20, 25, 32, 40, 50, 63A
Rated voltage (Ue) IEC60898-1	-
Rated voltage (Ue) IEC60947-2	1P: 240VAC 2~4P: 415VAC
Insulation voltage (Ui)	690V
Frequency	50/60Hz
Energy limiting class	-
Rated impulse withstand voltage (Uimp)	6kV
Rated short-circuit breaking capacity (Icu) IEC60947-2	10kA
Rated service breaking capacity (Ics) IEC60947-2	7.5kA
Tripping curve	B(4In), C(8In)
Polution degree	Deg III
Electrical durability	4000
Mechanical durability	10000
Protection degree	IP20
Operating temperature	-30...70 °C
Storage temperature	-40...80 °C
Type of terminal	Lug terminal
Terminal capacity	Cable up to 25mm ²
Tightening torque	2 N.m
Mounting	Plug-in
AX	-
AL	-
SHT	-
UVT/OVT	-

Dimension



Order number

LA63HP (6~63A)

Plug-in MCB LA63HP P



LA63HP 1P C63



LA63HP 2P C63



LA63HP 3P C63



LA63HP 4P C63

Type	Ue (V)	Breaking Capacity	In (A)	Order Number			Width module	Weight (g)	Packing (pcs.)
				B curve	C curve	D curve			
1P	240 VAC	10kA	6A	90770001C0	90770011C0	-	-	105	12
			10A	90770002C0	90770012C0	-			
			13A	90770003C0	90770013C0	-			
			16A	90770004C0	90770014C0	-			
			20A	90770005C0	90770015C0	-			
			25A	90770006C0	90770016C0	-			
			32A	90770007C0	90770017C0	-			
			40A	90770008C0	90770018C0	-			
			50A	90770009C0	90770019C0	-			
			63A	90770010C0	90770020C0	-			
2P	415 VAC	10kA	6A	90770021C0	90770031C0	-	-	210	6
			10A	90770022C0	90770032C0	-			
			13A	90770023C0	90770033C0	-			
			16A	90770024C0	90770034C0	-			
			20A	90770025C0	90770035C0	-			
			25A	90770026C0	90770036C0	-			
			32A	90770027C0	90770037C0	-			
			40A	90770028C0	90770038C0	-			
			50A	90770029C0	90770039C0	-			
			63A	90770030C0	90770040C0	-			
3P	415 VAC	10kA	6A	90770041C0	90770051C0	-	-	315	4
			10A	90770042C0	90770052C0	-			
			13A	90770043C0	90770053C0	-			
			16A	90770044C0	90770054C0	-			
			20A	90770045C0	90770055C0	-			
			25A	90770046C0	90770056C0	-			
			32A	90770047C0	90770057C0	-			
			40A	90770048C0	90770058C0	-			
			50A	90770049C0	90770059C0	-			
			63A	90770050C0	90770060C0	-			
4P	415 VAC	10kA	6A	90770061C0	90770071C0	-	-	420	3
			10A	90770062C0	90770072C0	-			
			13A	90770063C0	90770073C0	-			
			16A	90770064C0	90770074C0	-			
			20A	90770065C0	90770075C0	-			
			25A	90770066C0	90770076C0	-			
			32A	90770067C0	90770077C0	-			
			40A	90770068C0	90770078C0	-			
			50A	90770069C0	90770079C0	-			
			63A	90770070C0	90770080C0	-			

LA63HDC

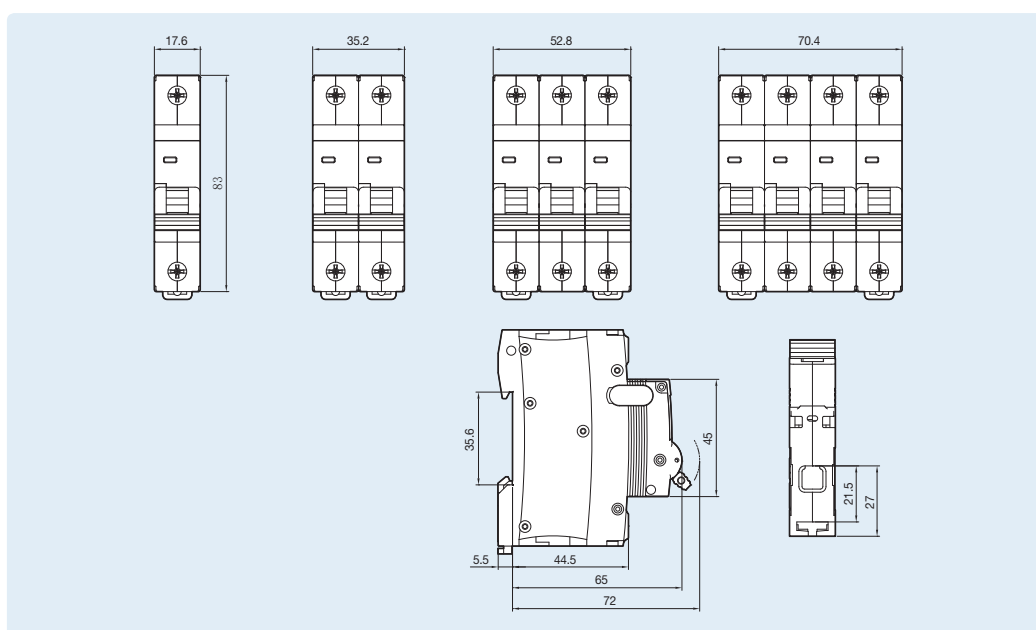
DC MCB

Specifications



Type	LA63HDC
Standards	IEC/EN 60947-2
Approvals	CE, CB, UKCA, CCC
Poles	1P, 2P, 3P, 4P
Rated current (In)	1, 2, 3, 4, 6, 10, 13, 16, 20, 25, 32, 40, 50, 63A
Rated voltage (Ue) IEC60898-1	-
Rated voltage (Ue) IEC60947-2	1P: 250VDC 3P: 750VDC 2P: 500VDC 4P: 1000VDC
Insulation voltage (Ui)	690V(1P, 2P), 1000V(3P, 4P)
Frequency	-
Energy limiting class	-
Rated impulse withstand voltage (Uimp)	6kV
Rated short-circuit breaking capacity (Icu) IEC60947-2	10kA
Rated service breaking capacity (Ics) IEC60947-2	7.5kA
Tripping curve	C(6In), D(12In)
Polution degree	Deg III
Electrical durability	1500
Mechanical durability	20000
Protection degree	IP20
Operating temperature	-30...70 °C
Storage temperature	-40...80 °C
Type of terminal	Lug terminal
Terminal capacity	Cable up to 25mm ²
Tightening torque	2 N.m
Mounting	35mm Din Rail
AX	LA-AX
AL	LA-AL
SHT	LA-SHT
UVT/OVT	-

Dimension



MCB

Order number

LA63HDC (1~63A)

DC MCB LA63HDC P



LA63HDC 1P C63



LA63HDC 2P C63



LA63HDC 3P C63

Type	Ue (V)	Breaking Capacity	In (A)	Order Number			Width module	Weight (g)	Packing (pcs.)
				B curve	C curve	D curve			
1P	250 VDC	10kA	1A	-	90760001C0	90760015C0	2	128	12
			2A	-	90760002C0	90760016C0			
			3A	-	90760003C0	90760017C0			
			4A	-	90760004C0	90760018C0			
			6A	-	90760005C0	90760019C0			
			10A	-	90760006C0	90760020C0			
			13A	-	90760007C0	90760021C0			
			16A	-	90760008C0	90760022C0			
			20A	-	90760009C0	90760023C0			
			25A	-	90760010C0	90760024C0			
			32A	-	90760011C0	90760025C0			
			40A	-	90760012C0	90760026C0			
			50A	-	90760013C0	90760027C0			
			63A	-	90760014C0	90760028C0			
			2P	500 VDC	10kA	1A			
2A	-	90760030C0				90760044C0			
3A	-	90760031C0				90760045C0			
4A	-	90760032C0				90760046C0			
6A	-	90760033C0				90760047C0			
10A	-	90760034C0				90760048C0			
13A	-	90760035C0				90760049C0			
16A	-	90760036C0				90760050C0			
20A	-	90760037C0				90760051C0			
25A	-	90760038C0				90760052C0			
32A	-	90760039C0				90760053C0			
40A	-	90760040C0				90760054C0			
50A	-	90760041C0				90760055C0			
63A	-	90760042C0				90760056C0			
3P	750 VDC	10kA				1A	-	90760057C0	90760071C0
			2A	-	90760058C0	90760072C0			
			3A	-	90760059C0	90760073C0			
			4A	-	90760060C0	90760074C0			
			6A	-	90760061C0	90760075C0			
			10A	-	90760062C0	90760076C0			
			13A	-	90760063C0	90760077C0			
			16A	-	90760064C0	90760078C0			
			20A	-	90760065C0	90760079C0			
			25A	-	90760066C0	90760080C0			
			32A	-	90760067C0	90760081C0			
			40A	-	90760068C0	90760082C0			
			50A	-	90760069C0	90760083C0			
			63A	-	90760070C0	90760084C0			

* 1 Width module = 9 mm

Order number

LA63HDC (1~63A)

DC MCB LA63HDC P



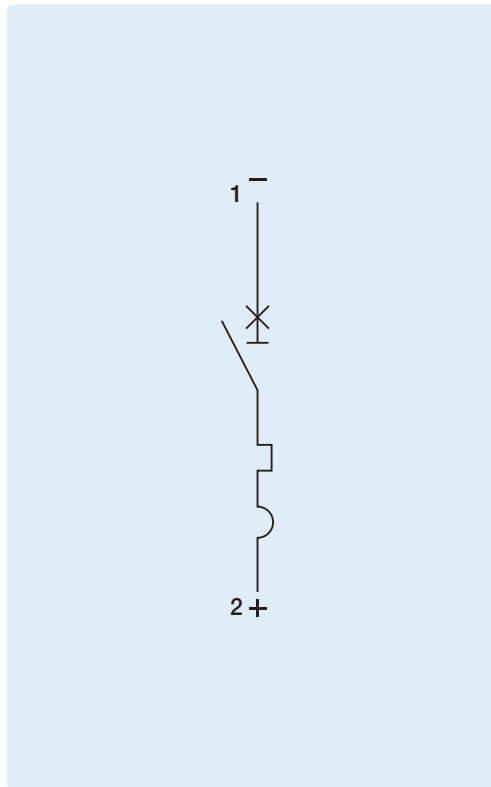
LA63HDC 4P C63

Type	Ue (V)	Breaking Capacity	In (A)	Order Number			Width module	Weight (g)	Packing (pcs.)
				B curve	C curve	D curve			
4P	1000 VDC	10kA	1A	-	90760085C0	90760099C0	8	512	3
			2A	-	90760086C0	90760100C0			
			3A	-	90760087C0	90760101C0			
			4A	-	90760088C0	90760102C0			
			6A	-	90760089C0	90760103C0			
			10A	-	90760090C0	90760104C0			
			13A	-	90760091C0	90760105C0			
			16A	-	90760092C0	90760106C0			
			20A	-	90760093C0	90760107C0			
			25A	-	90760094C0	90760108C0			
			32A	-	90760095C0	90760109C0			
			40A	-	90760096C0	90760110C0			
			50A	-	90760097C0	90760111C0			
			63A	-	90760098C0	90760112C0			

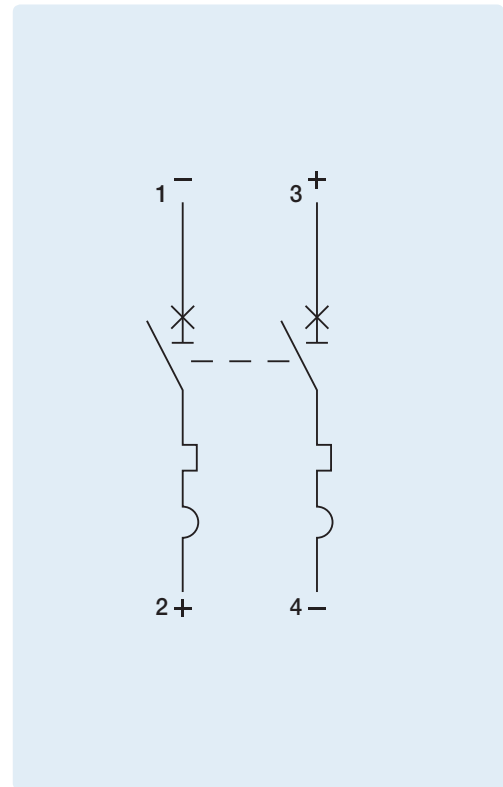
* 1 Width module=9 mm

Connection method

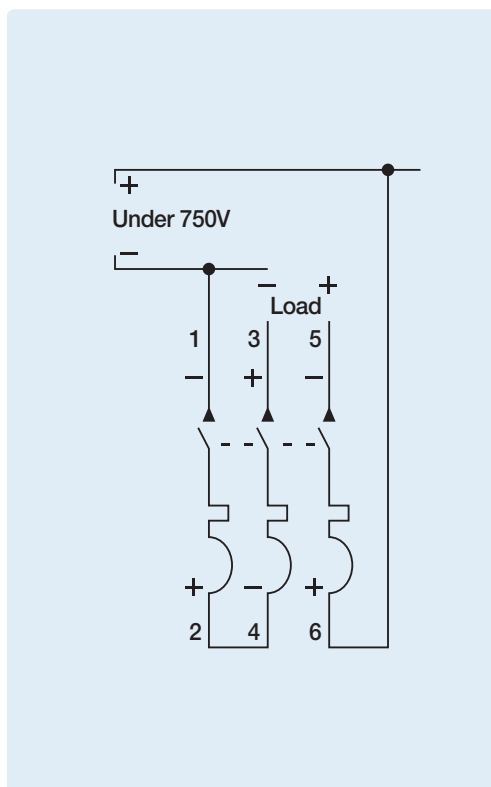
Single pole diagram



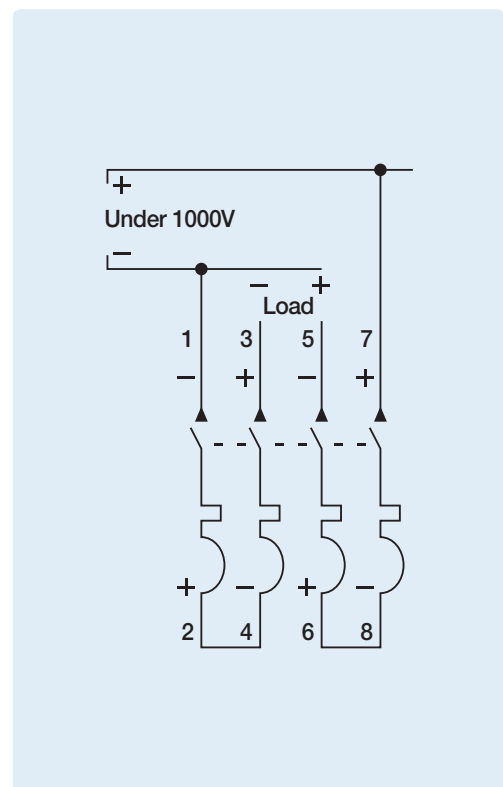
Two pole series connection diagram



Three pole series connection diagram



Four pole series connection diagram



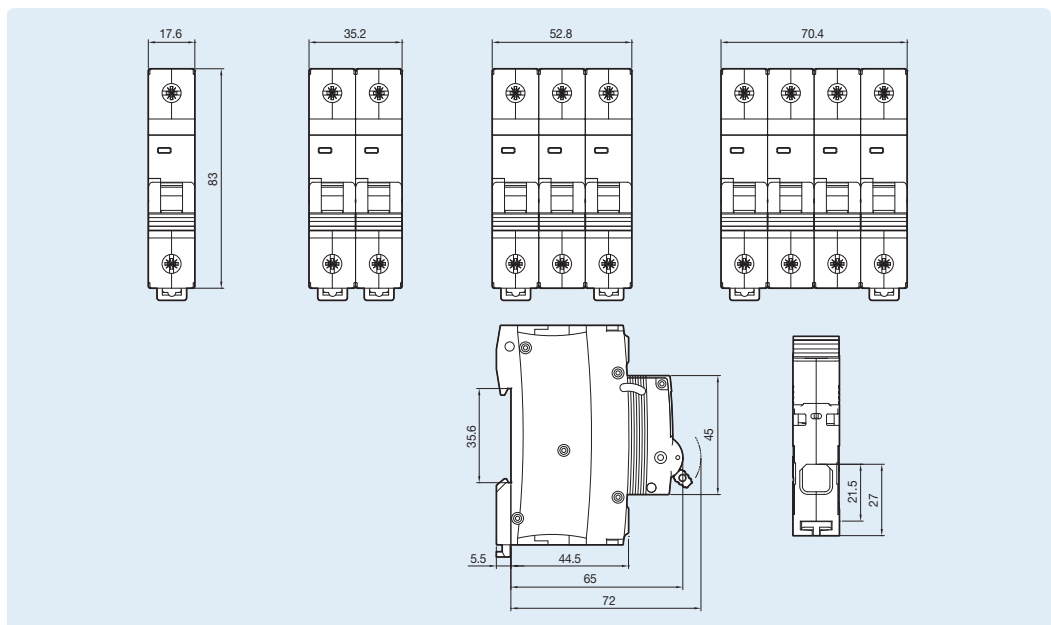
LA125D 125A Switch-Disconnecter

Specifications



Type		LA125D
Electrical Feature	Standards	IEC/EN 60947-3
	Approvals	CE, CB, UKCA, CCC
	Poles	1P, 2P, 3P, 4P
	Rated current (In)	40, 50, 63, 80, 100, 125A
	Rated voltage (Ue) IEC60898-1	-
	Rated voltage (Ue) IEC60947-3	1P: 230/240VAC 2~4P: 400/415VAC
	Insulation voltage (Ui)	690V
	Frequency	50/60Hz
	Energy limiting class	-
	Rated impulse withstand voltage (Uimp)	6kV
	Rated short-time withstand current(Icw)	1500A/1s
	Rated short-circuit making capacity (Icm)	2500A
	Utilization category	AC-22A
Mechanical Feature	Polution degree	Deg III
	Electrical durability	1500(125A 1000)
	Mechanical durability	10000
	Protection degree	IP20
	Operating temperature	-30...70 °C
Installation	Storage temperature	-40...80 °C
	Type of terminal	Lug terminal
	Terminal capacity	Cable up to 50mm ²
	Tightening torque	3.5 N.m
Accessories	Mounting	35mm Din Rail
	AX	LA-AX
	AL	-
	SHT	-
	UVT/OVT	-

Dimension



Switch-Disconnecter

Order number

LA125D (40~125A)

125A Switch-Disconnecter LA125D P



LA125D 1P 63



LA125D 2P 125



LA125D 3P 125



LA125D 4P 125

Type	Ue (V)	Breaking Capacity	In (A)	Order Number	Width module	Weight (g)	Packing (pcs.)
1P	240 VAC	-	40A	90800001C0	2	87	12
			50A	90800002C0			
			63A	90800003C0			
			80A	90800004C0			
			100A	90800005C0			
			125A	90800006C0			
2P	415 VAC	-	40A	90800007C0	4	174	6
			50A	90800008C0			
			63A	90800009C0			
			80A	90800010C0			
			100A	90800011C0			
			125A	90800012C0			
3P	415 VAC	-	40A	90800013C0	6	261	4
			50A	90800014C0			
			63A	90800015C0			
			80A	90800016C0			
			100A	90800017C0			
			125A	90800018C0			
4P	415 VAC	-	40A	90800019C0	8	348	3
			50A	90800020C0			
			63A	90800021C0			
			80A	90800022C0			
			100A	90800023C0			
			125A	90800024C0			

* 1 Width module = 9 mm

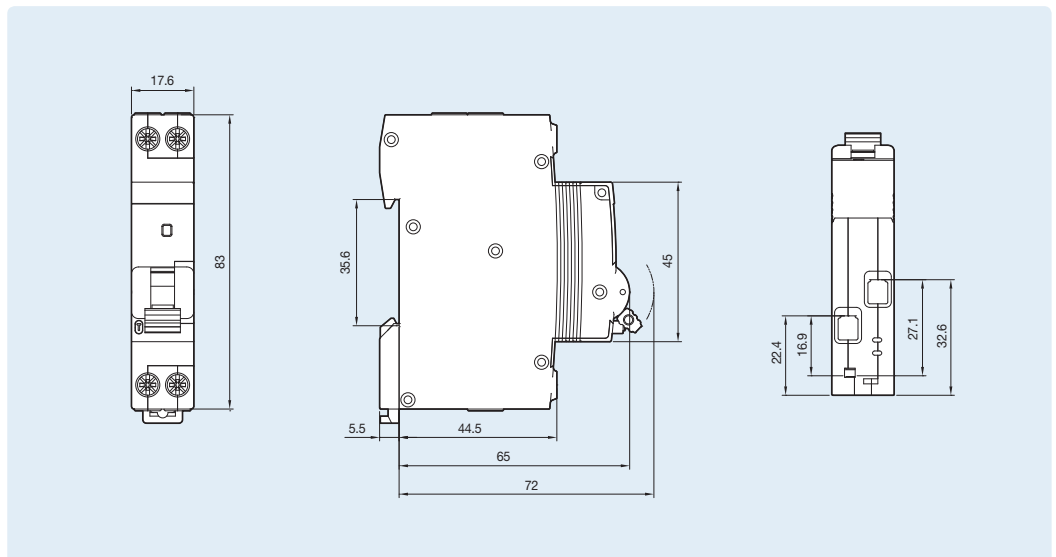
LB40NN 1P+N 18mm RCBO

Specifications



Type	LB40NN
Standards	IEC/EN 61009-1
Approvals	CE, CB, UKCA, CCC
Operation type	AC, A
Poles	1P+N
Rated current (In)	6, 10, 13, 16, 20, 25, 32, 40A
Rated voltage (Ue)	230/240VAC
Insulation voltage (Ui)	500V
Frequency	50/60Hz
Energy limiting class	3
Rated impulse withstand voltage (Uimp)	4kV
Rated short-circuit breaking capacity (Icn)	6kA
Rated service breaking capacity (Ics)	6kA
Rated making capacity (Im)	3000A
Tripping curve	B, C
Sensitivity (mA)	10, 30, 100, 300
Type of trip	Electronic
Electrical durability	4000
Mechanical durability	10000
Protection degree	IP20
Operating temperature	-25...60 °C
Storage temperature	-40...80 °C
Type of terminal	Lug terminal
Terminal capacity	Cable up to 16mm ²
Tightening torque	1.2 N.m
Mounting	35mm Din Rail
AX	-
AL	-
SHT	-
UVT/OVT	-

Dimension



RCBO

Order number

LB40NN (6~40A)

1P+N 18mm RCBO LB40NN 1P+N



LB40NN 1P+N C40
30mA A-type

Type	Ue (V)	Breaking Capacity	Trip Curve	Operation Type	In (A)	Order Number				Width module	Weight (g)	Packing (pcs.)	
						10mA	30mA	100mA	300mA				
1P+N	240 VAC	6kA	B	AC	6A	90850001C0	90850009C0	90850017C0	90850025C0	2	130	12	
					10A	90850002C0	90850010C0	90850018C0	90850026C0				
					13A	90850003C0	90850011C0	90850019C0	90850027C0				
					16A	90850004C0	90850012C0	90850020C0	90850028C0				
					20A	90850005C0	90850013C0	90850021C0	90850029C0				
					25A	90850006C0	90850014C0	90850022C0	90850030C0				
					32A	90850007C0	90850015C0	90850023C0	90850031C0				
					40A	90850008C0	90850016C0	90850024C0	90850032C0				
					6A	90850033C0	90850041C0	90850049C0	90850057C0				
					10A	90850034C0	90850042C0	90850050C0	90850058C0				
					13A	90850035C0	90850043C0	90850051C0	90850059C0				
					16A	90850036C0	90850044C0	90850052C0	90850060C0				
	20A	90850037C0	90850045C0	90850053C0	90850061C0								
	25A	90850038C0	90850046C0	90850054C0	90850062C0								
	32A	90850039C0	90850047C0	90850055C0	90850063C0								
	40A	90850040C0	90850048C0	90850056C0	90850064C0								
	6kA			C	AC	6A	90850065C0	90850073C0	90850081C0	90850089C0	2	130	12
						10A	90850066C0	90850074C0	90850082C0	90850090C0			
						13A	90850067C0	90850075C0	90850083C0	90850091C0			
						16A	90850068C0	90850076C0	90850084C0	90850092C0			
						20A	90850069C0	90850077C0	90850085C0	90850093C0			
						25A	90850070C0	90850078C0	90850086C0	90850094C0			
						32A	90850071C0	90850079C0	90850087C0	90850095C0			
						40A	90850072C0	90850080C0	90850088C0	90850096C0			
6A						90850097C0	90850105C0	90850113C0	90850121C0				
10A						90850098C0	90850106C0	90850114C0	90850122C0				
13A						90850099C0	90850107C0	90850115C0	90850123C0				
16A						90850100C0	90850108C0	90850116C0	90850124C0				
20A	90850101C0	90850109C0	90850117C0	90850125C0									
25A	90850102C0	90850110C0	90850118C0	90850126C0									
32A	90850103C0	90850111C0	90850119C0	90850127C0									
40A	90850104C0	90850112C0	90850120C0	90850128C0									

* 1 Width module = 9 mm

LB40N / LB40H

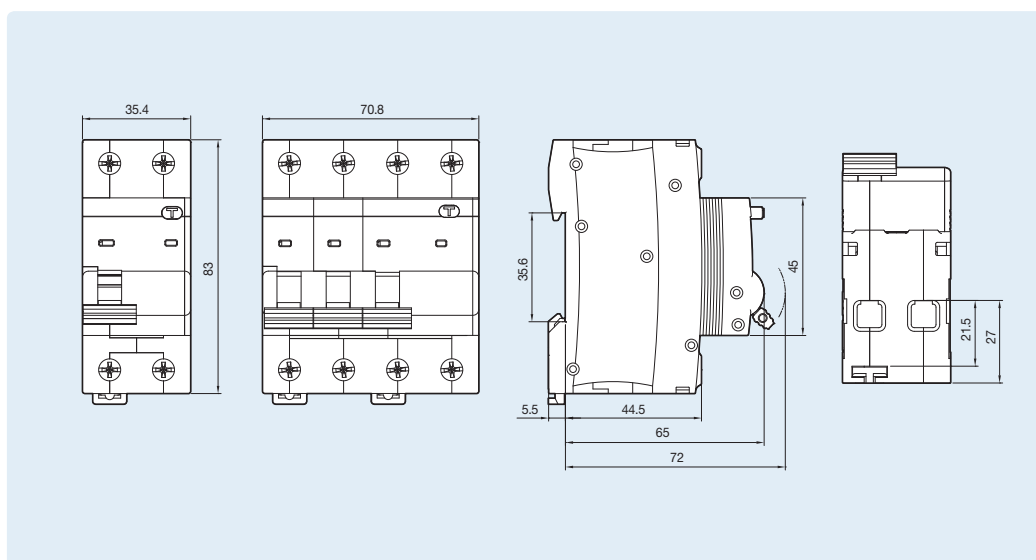
40A RCBO

Specifications



Type		LB40N	LB40H
Electrical Feature	Standards	IEC/EN 61009-1	IEC/EN 61009-1
	Approvals	CE, CB, UKCA, CCC	CE, CB, UKCA, CCC
	Operation type	AC, A	AC, A
	Poles	1P+N, 3P+N	1P+N, 3P+N
	Rated current (In)	6, 10, 13, 16, 20, 25, 32, 40A	6, 10, 13, 16, 20, 25, 32, 40A
	Rated voltage (Ue)	1P+N: 240VAC / 3P+N: 415VAC	1P+N: 240VAC / 3P+N: 415VAC
	Insulation voltage (Ui)	500V	500V
	Frequency	50/60Hz	50/60Hz
	Energy limiting class	3 (Only for B/C curve)	3 (Only for B/C curve)
	Rated impulse withstand voltage (Uimp)	4kV	4kV
	Rated short-circuit breaking capacity (Icn)	6kA	10kA
	Rated service breaking capacity (Ics)	6kA	7.5kA
	Rated making capacity (Im)	4500A	4500A
	Tripping curve	B, C, D	B, C, D
	Mechanical Feature	Sensitivity (mA)	30, 100, 300
Type of trip		Magnetic	Magnetic
Electrical durability		4000	4000
Mechanical durability		10000	10000
Protection degree		IP20	IP20
Installation	Operating temperature	-25...60 °C	-25...60 °C
	Operating temperture	-40...80 °C	-40...80 °C
	Type of terminal	Lug ternimal	Lug ternimal
	Terminal capacity	Cable up to 16mm ²	Cable up to 16mm ²
Accessories	Tightening torque	1.2 N.m	1.2 N.m
	Mounting	35mm Din Rail	35mm Din Rail
	AX	LB-AX	LB-AX
AL	LB-AL	LB-AL	
SHT	LB-SHT	LB-SHT	
UVT/OVT	LB-U/OVT	LB-U/OVT	

Dimension



RCBO

Order number

LB40N (6~40A)

40A RCBO(6kA) LB40N P+N



LB40N 1P+N C40
30mA A-type

Type	Ue (V)	Breaking Capacity	Trip Curve	Operation Type	In (A)	Order Number			Width module	Weight (g)	Packing (pcs.)
						30mA	100mA	300mA			
1P+N	240 VAC	6kA	B	AC	6A	90860001C0	90860009C0	90860017C0	4	217	6
					10A	90860002C0	90860010C0	90860018C0			
					13A	90860003C0	90860011C0	90860019C0			
					16A	90860004C0	90860012C0	90860020C0			
					20A	90860005C0	90860013C0	90860021C0			
					25A	90860006C0	90860014C0	90860022C0			
				32A	90860007C0	90860015C0	90860023C0				
				40A	90860008C0	90860016C0	90860024C0				
				A	6A	90860025C0	90860033C0	90860041C0	4	217	6
					10A	90860026C0	90860034C0	90860042C0			
					13A	90860027C0	90860035C0	90860043C0			
					16A	90860028C0	90860036C0	90860044C0			
		20A	90860029C0		90860037C0	90860045C0					
		25A	90860030C0		90860038C0	90860046C0					
		6kA	AC	6A	90860049C0	90860057C0	90860065C0	4	217	6	
				10A	90860050C0	90860058C0	90860066C0				
				13A	90860051C0	90860059C0	90860067C0				
				16A	90860052C0	90860060C0	90860068C0				
				20A	90860053C0	90860061C0	90860069C0				
				25A	90860054C0	90860062C0	90860070C0				
			A	6A	90860073C0	90860081C0	90860089C0	4	217	6	
				10A	90860074C0	90860082C0	90860090C0				
				13A	90860075C0	90860083C0	90860091C0				
				16A	90860076C0	90860084C0	90860092C0				
20A	90860077C0			90860085C0	90860093C0						
25A	90860078C0			90860086C0	90860094C0						
6kA	AC	6A	90860097C0	90860105C0	90860113C0	4	217	6			
		10A	90860098C0	90860106C0	90860114C0						
		13A	90860099C0	90860107C0	90860115C0						
		16A	90860100C0	90860108C0	90860116C0						
		20A	90860101C0	90860109C0	90860117C0						
		25A	90860102C0	90860110C0	90860118C0						
	A	6A	90860121C0	90860129C0	90860137C0	4	217	6			
		10A	90860122C0	90860130C0	90860138C0						
		13A	90860123C0	90860131C0	90860139C0						
		16A	90860124C0	90860132C0	90860140C0						
		20A	90860125C0	90860133C0	90860141C0						
		25A	90860126C0	90860134C0	90860142C0						
32A	90860127C0	90860135C0	90860143C0								
40A	90860128C0	90860136C0	90860144C0								

* 1 Width module = 9 mm

Order number

LB40N (6~40A)
40A RCBO(6kA) LB40N P+N



LB40N 3P+N C40
30mA A-type

Type	Ue (V)	Breaking Capacity	Trip Curve	Operation Type	In (A)	Order Number			Width module	Weight (g)	Packing (pcs.)
						30mA	100mA	300mA			
3P+N	415 VAC	6kA	B	AC	6A	90860145C0	90860153C0	90860161C0	8	467	3
					10A	90860146C0	90860154C0	90860162C0			
					13A	90860147C0	90860155C0	90860163C0			
					16A	90860148C0	90860156C0	90860164C0			
					20A	90860149C0	90860157C0	90860165C0			
					25A	90860150C0	90860158C0	90860166C0			
				A	32A	90860151C0	90860159C0	90860167C0			
					40A	90860152C0	90860160C0	90860168C0			
					6A	90860169C0	90860177C0	90860185C0	8	467	3
					10A	90860170C0	90860178C0	90860186C0			
					13A	90860171C0	90860179C0	90860187C0			
					16A	90860172C0	90860180C0	90860188C0			
	20A	90860173C0	90860181C0	90860189C0							
	25A	90860174C0	90860182C0	90860190C0							
	6kA	C	AC	32A	90860175C0	90860183C0	90860191C0	8	467	3	
				40A	90860176C0	90860184C0	90860192C0				
				6A	90860193C0	90860201C0	90860209C0				
				10A	90860194C0	90860202C0	90860210C0				
				13A	90860195C0	90860203C0	90860211C0				
				16A	90860196C0	90860204C0	90860212C0				
		A	20A	90860197C0	90860205C0	90860213C0					
			25A	90860198C0	90860206C0	90860214C0					
			32A	90860199C0	90860207C0	90860215C0					
			40A	90860200C0	90860208C0	90860216C0					
6A			90860217C0	90860225C0	90860233C0	8	467	3			
10A			90860218C0	90860226C0	90860234C0						
13A	90860219C0	90860227C0	90860235C0								
16A	90860220C0	90860228C0	90860236C0								
20A	90860221C0	90860229C0	90860237C0								
25A	90860222C0	90860230C0	90860238C0								
6kA	D	AC	32A	90860223C0	90860231C0	90860239C0	8	467	3		
			40A	90860224C0	90860232C0	90860240C0					
			6A	90860241C0	90860249C0	90860257C0					
			10A	90860242C0	90860250C0	90860258C0					
			13A	90860243C0	90860251C0	90860259C0					
			16A	90860244C0	90860252C0	90860260C0					
	A	20A	90860245C0	90860253C0	90860261C0						
		25A	90860246C0	90860254C0	90860262C0						
		32A	90860247C0	90860255C0	90860263C0						
		40A	90860248C0	90860256C0	90860264C0						
		6A	90860265C0	90860273C0	90860281C0	8	467	3			
		10A	90860266C0	90860274C0	90860282C0						
13A	90860267C0	90860275C0	90860283C0								
16A	90860268C0	90860276C0	90860284C0								
20A	90860269C0	90860277C0	90860285C0								
25A	90860270C0	90860278C0	90860286C0								
32A	90860271C0	90860279C0	90860287C0								
40A	90860272C0	90860280C0	90860288C0								

* 1 Width module = 9 mm

RCBO

Order number

LB40H (6~40A)

40A RCBO(10kA) LB40H P+N



LB40H 1P+N C40
30mA A-type

Type	Ue (V)	Breaking Capacity	Trip Curve	Operation Type	In (A)	Order Number			Width module	Weight (g)	Packing (pcs.)			
						30mA	100mA	300mA						
1P+N	240 VAC	10kA	B	AC	6A	90880001C0	90880009C0	90880017C0	4	217	6			
					10A	90880002C0	90880010C0	90880018C0						
					13A	90880003C0	90880011C0	90880019C0						
					16A	90880004C0	90880012C0	90880020C0						
					20A	90880005C0	90880013C0	90880021C0						
					25A	90880006C0	90880014C0	90880022C0						
				32A	90880007C0	90880015C0	90880023C0							
				40A	90880008C0	90880016C0	90880024C0							
				A	6A	90880025C0	90880033C0	90880041C0				4	217	6
					10A	90880026C0	90880034C0	90880042C0						
					13A	90880027C0	90880035C0	90880043C0						
					16A	90880028C0	90880036C0	90880044C0						
			20A		90880029C0	90880037C0	90880045C0							
			25A		90880030C0	90880038C0	90880046C0							
			32A	90880031C0	90880039C0	90880047C0								
			40A	90880032C0	90880040C0	90880048C0								
			10kA	C	AC	6A	90880049C0	90880057C0	90880065C0	4	217	6		
						10A	90880050C0	90880058C0	90880066C0					
						13A	90880051C0	90880059C0	90880067C0					
						16A	90880052C0	90880060C0	90880068C0					
						20A	90880053C0	90880061C0	90880069C0					
						25A	90880054C0	90880062C0	90880070C0					
					32A	90880055C0	90880063C0	90880071C0						
					40A	90880056C0	90880064C0	90880072C0						
		A			6A	90880073C0	90880081C0	90880089C0	4				217	6
					10A	90880074C0	90880082C0	90880090C0						
					13A	90880075C0	90880083C0	90880091C0						
					16A	90880076C0	90880084C0	90880092C0						
				20A	90880077C0	90880085C0	90880093C0							
				25A	90880078C0	90880086C0	90880094C0							
		32A		90880079C0	90880087C0	90880095C0								
		40A		90880080C0	90880088C0	90880096C0								
		D		AC	6A	90880097C0	90880105C0	90880113C0	4	217	6			
					10A	90880098C0	90880106C0	90880114C0						
					13A	90880099C0	90880107C0	90880115C0						
					16A	90880100C0	90880108C0	90880116C0						
					20A	90880101C0	90880109C0	90880117C0						
					25A	90880102C0	90880110C0	90880118C0						
				32A	90880103C0	90880111C0	90880119C0							
				40A	90880104C0	90880112C0	90880120C0							
			A	6A	90880121C0	90880129C0	90880137C0	4				217	6	
				10A	90880122C0	90880130C0	90880138C0							
				13A	90880123C0	90880131C0	90880139C0							
				16A	90880124C0	90880132C0	90880140C0							
		20A		90880125C0	90880133C0	90880141C0								
		25A		90880126C0	90880134C0	90880142C0								
		32A	90880127C0	90880135C0	90880143C0									
		40A	90880128C0	90880136C0	90880144C0									

* 1 Width module = 9 mm

Order number

LB40H (6~40A)

40A RCBO(10kA) LB40H P+N



LB40H 3P+N C40
30mA A-type

Type	Ue (V)	Breaking Capacity	Trip Curve	Operation Type	In (A)	Order Number			Width module	Weight (g)	Packing (pcs.)			
						30mA	100mA	300mA						
3P+N	415 VAC	10kA	B	AC	6A	90880145C0	90880153C0	90880161C0	8	467	3			
					10A	90880146C0	90880154C0	90880162C0						
					13A	90880147C0	90880155C0	90880163C0						
					16A	90880148C0	90880156C0	90880164C0						
					20A	90880149C0	90880157C0	90880165C0						
					25A	90880150C0	90880158C0	90880166C0						
					32A	90880151C0	90880159C0	90880167C0						
					40A	90880152C0	90880160C0	90880168C0						
					6A	90880169C0	90880177C0	90880185C0				8	467	3
					10A	90880170C0	90880178C0	90880186C0						
					13A	90880171C0	90880179C0	90880187C0						
					16A	90880172C0	90880180C0	90880188C0						
	20A	90880173C0	90880181C0	90880189C0										
	25A	90880174C0	90880182C0	90880190C0										
	32A	90880175C0	90880183C0	90880191C0										
	40A	90880176C0	90880184C0	90880192C0										
	3P+N	415 VAC	10kA	C	AC	6A	90880193C0	90880201C0	90880209C0	8	467	3		
						10A	90880194C0	90880202C0	90880210C0					
						13A	90880195C0	90880203C0	90880211C0					
						16A	90880196C0	90880204C0	90880212C0					
						20A	90880197C0	90880205C0	90880213C0					
						25A	90880198C0	90880206C0	90880214C0					
						32A	90880199C0	90880207C0	90880215C0					
						40A	90880200C0	90880208C0	90880216C0					
6A						90880217C0	90880225C0	90880233C0	8				467	3
10A						90880218C0	90880226C0	90880234C0						
13A						90880219C0	90880227C0	90880235C0						
16A						90880220C0	90880228C0	90880236C0						
20A	90880221C0	90880229C0	90880237C0											
25A	90880222C0	90880230C0	90880238C0											
32A	90880223C0	90880231C0	90880239C0											
40A	90880224C0	90880232C0	90880240C0											
3P+N	415 VAC	10kA	D	AC	6A	90880241C0	90880249C0	90880257C0	8	467	3			
					10A	90880242C0	90880250C0	90880258C0						
					13A	90880243C0	90880251C0	90880259C0						
					16A	90880244C0	90880252C0	90880260C0						
					20A	90880245C0	90880253C0	90880261C0						
					25A	90880246C0	90880254C0	90880262C0						
					32A	90880247C0	90880255C0	90880263C0						
					40A	90880248C0	90880256C0	90880264C0						
					6A	90880265C0	90880273C0	90880281C0				8	467	3
					10A	90880266C0	90880274C0	90880282C0						
					13A	90880267C0	90880275C0	90880283C0						
					16A	90880268C0	90880276C0	90880284C0						
20A	90880269C0	90880277C0	90880285C0											
25A	90880270C0	90880278C0	90880286C0											
32A	90880271C0	90880279C0	90880287C0											
40A	90880272C0	90880280C0	90880288C0											

* 1 Width module = 9 mm

RCBO

LB40NB

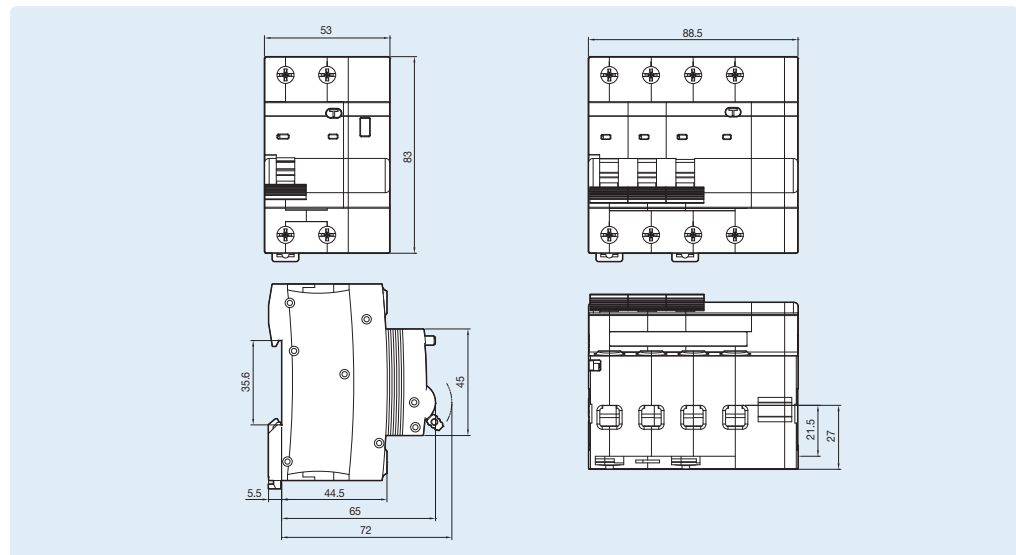
B type RCBO

Specifications



Type	LB40NB
Standards	IEC/EN 61009-1, 62423
Approvals	CE, CB, UKCA, CCC
Operation type	B
Poles	1P+N, 3P+N
Rated current (In)	6, 10, 13, 16, 20, 25, 32, 40A
Rated voltage (Ue)	1P+N: 240VAC 3P+N: 415VAC
Insulation voltage (Ui)	500V
Frequency	50/60Hz
Energy limiting class	3 (Only for B/C curve)
Rated impulse withstand voltage (Uimp)	4kV
Rated short-circuit breaking capacity (Icn)	6kA
Rated service breaking capacity (Ics)	6kA
Rated making capacity (Im)	4500A
Tripping curve	B, C, D
Sensitivity (mA)	30, 100, 300
Type of trip	Magnetic
Electrical durability	4000
Mechanical durability	10000
Protection degree	IP20
Operating temperature	-25...60 °C
Storage temperature	-40...80 °C
Type of terminal	Lug terminal
Terminal capacity	Cable up to 16mm ²
Tightening torque	1.2 N.m
Mounting	35mm Din Rail
AX	LB-AX
AL	LB-AL
SHT	LB-SHT
UVT/OVT	LB-U/OVT

Dimension



Order number

LB40NB (6~40A)

B type RCBO LB40NB P+N



LB40NB 1P+N C40
30mA B-type



LB40NB 3P+N C40
30mA B-type

Type	Ue (V)	Breaking Capacity	Trip Curve	Operation Type	In (A)	Order Number			Width module	Weight (g)	Packing (pcs.)			
						30mA	100mA	300mA						
1P+N	240 VAC	6kA	B	B	6A	90870001C0	90870009C0	90870017C0	6	250	4			
					10A	90870002C0	90870010C0	90870018C0						
					13A	90870003C0	90870011C0	90870019C0						
					16A	90870004C0	90870012C0	90870020C0						
					20A	90870005C0	90870013C0	90870021C0						
					25A	90870006C0	90870014C0	90870022C0						
					32A	90870007C0	90870015C0	90870023C0						
					40A	90870008C0	90870016C0	90870024C0						
					6A	90870025C0	90870033C0	90870041C0				6	250	4
					10A	90870026C0	90870034C0	90870042C0						
					13A	90870027C0	90870035C0	90870043C0						
					16A	90870028C0	90870036C0	90870044C0						
			20A	90870029C0	90870037C0	90870045C0								
			25A	90870030C0	90870038C0	90870046C0								
			32A	90870031C0	90870039C0	90870047C0								
			40A	90870032C0	90870040C0	90870048C0								
			6A	90870049C0	90870057C0	90870065C0	6	250	4					
			10A	90870050C0	90870058C0	90870066C0								
			13A	90870051C0	90870059C0	90870067C0								
			16A	90870052C0	90870060C0	90870068C0								
			20A	90870053C0	90870061C0	90870069C0								
			25A	90870054C0	90870062C0	90870070C0								
			32A	90870055C0	90870063C0	90870071C0								
			40A	90870056C0	90870064C0	90870072C0								
3P+N	415 VAC	6kA	B	B	6A	90870073C0				90870081C0	90870089C0	12	500	2
					10A	90870074C0				90870082C0	90870090C0			
					13A	90870075C0				90870083C0	90870091C0			
					16A	90870076C0				90870084C0	90870092C0			
					20A	90870077C0	90870085C0	90870093C0						
					25A	90870078C0	90870086C0	90870094C0						
					32A	90870079C0	90870087C0	90870095C0						
					40A	90870080C0	90870088C0	90870096C0						
					6A	90870097C0	90870105C0	90870113C0	12	500	2			
					10A	90870098C0	90870106C0	90870114C0						
					13A	90870099C0	90870107C0	90870115C0						
					16A	90870100C0	90870108C0	90870116C0						
			20A	90870101C0	90870109C0	90870117C0								
			25A	90870102C0	90870110C0	90870118C0								
			32A	90870103C0	90870111C0	90870119C0								
			40A	90870104C0	90870112C0	90870120C0								
			6A	90870121C0	90870129C0	90870137C0	12	500				2		
			10A	90870122C0	90870130C0	90870138C0								
			13A	90870123C0	90870131C0	90870139C0								
			16A	90870124C0	90870132C0	90870140C0								
			20A	90870125C0	90870133C0	90870141C0								
			25A	90870126C0	90870134C0	90870142C0								
			32A	90870127C0	90870135C0	90870143C0								
			40A	90870128C0	90870136C0	90870144C0								

* 1 Width module = 9 mm

RCBO

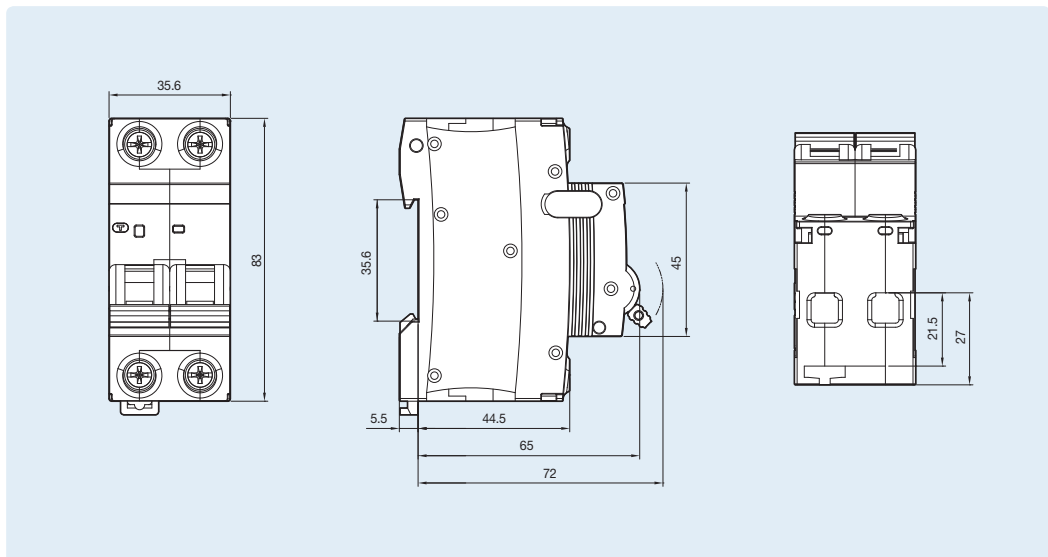
LB63N 1P+N RCBO

Specifications



	Type	LB63N
Electrical Feature	Standards	IEC/EN 61009-1
	Approvals	CE, CB, UKCA, CCC
	Operation type	AC, A
	Poles	1P+N
	Rated current (In)	6, 10, 13, 16, 20, 25, 32, 40, 50, 63A
	Rated voltage (Ue)	240VAC
	Insulation voltage (Ui)	500V
	Frequency	50/60Hz
	Energy limiting class	3 (Only for B/C curve)
	Rated impulse withstand voltage (Uimp)	4kV
	Rated short-circuit breaking capacity (Icn)	6kA
	Rated service breaking capacity (Ics)	6kA
	Rated making capacity (Im)	4500A
	Tripping curve	B, C, D
	Sensitivity (mA)	30, 50, 100, 300
	Type of trip	Electronic
Mechanical Feature	Electrical durability	4000
	Mechanical durability	10000
	Protection degree	IP20
	Operating temperature	-25...60 °C
	Storage temperature	-40...80 °C
Installation	Type of terminal	Lug terminal
	Terminal capacity	Cable up to 25mm ²
	Tightening torque	2 N.m
	Mounting	35mm Din Rail
Accessories	AX	LA-AX
	AL	LA-AL
	SHT	LA-SHT
	UVT/OVT	LA-U/OVT

Dimension



Order number

LB63N (16~63A)

1P+N RCBO LB63N 1P+N



LB63N 1P+N C63
30mA A-type

Type	Ue (V)	Breaking Capacity	Trip Curve	Operation Type	In (A)	Order Number				Width module	Weight (g)	Packing (pcs.)			
						30mA	50mA	100mA	300mA						
1P+N	240 VAC	6kA	B	AC	6A	90900001C0	90900011C0	90900021C0	90900031C0	4	205	6			
					10A	90900002C0	90900012C0	90900022C0	90900032C0						
					13A	90900003C0	90900013C0	90900023C0	90900033C0						
					16A	90900004C0	90900014C0	90900024C0	90900034C0						
					20A	90900005C0	90900015C0	90900025C0	90900035C0						
					25A	90900006C0	90900016C0	90900026C0	90900036C0						
					32A	90900007C0	90900017C0	90900027C0	90900037C0						
					40A	90900008C0	90900018C0	90900028C0	90900038C0						
					50A	90900009C0	90900019C0	90900029C0	90900039C0						
					63A	90900010C0	90900020C0	90900030C0	90900040C0						
					6A	90900041C0	90900051C0	90900061C0	90900071C0				4	205	6
					10A	90900042C0	90900052C0	90900062C0	90900072C0						
	13A	90900043C0	90900053C0	90900063C0	90900073C0										
	16A	90900044C0	90900054C0	90900064C0	90900074C0										
	20A	90900045C0	90900055C0	90900065C0	90900075C0										
	25A	90900046C0	90900056C0	90900066C0	90900076C0										
	32A	90900047C0	90900057C0	90900067C0	90900077C0										
	40A	90900048C0	90900058C0	90900068C0	90900078C0										
	50A	90900049C0	90900059C0	90900069C0	90900079C0										
	63A	90900050C0	90900060C0	90900070C0	90900080C0										
	240 VAC	6kA	C	AC	6A	90900081C0	90900091C0	90900101C0	90900111C0	4	205	6			
					10A	90900082C0	90900092C0	90900102C0	90900112C0						
					13A	90900083C0	90900093C0	90900103C0	90900113C0						
					16A	90900084C0	90900094C0	90900104C0	90900114C0						
20A					90900085C0	90900095C0	90900105C0	90900115C0							
25A					90900086C0	90900096C0	90900106C0	90900116C0							
32A					90900087C0	90900097C0	90900107C0	90900117C0							
40A					90900088C0	90900098C0	90900108C0	90900118C0							
50A					90900089C0	90900099C0	90900109C0	90900119C0							
63A					90900090C0	90900100C0	90900110C0	90900120C0							
6A					90900121C0	90900131C0	90900141C0	90900151C0	4				205	6	
10A					90900122C0	90900132C0	90900142C0	90900152C0							
13A	90900123C0	90900133C0	90900143C0	90900153C0											
16A	90900124C0	90900134C0	90900144C0	90900154C0											
20A	90900125C0	90900135C0	90900145C0	90900155C0											
25A	90900126C0	90900136C0	90900146C0	90900156C0											
32A	90900127C0	90900137C0	90900147C0	90900157C0											
40A	90900128C0	90900138C0	90900148C0	90900158C0											
50A	90900129C0	90900139C0	90900149C0	90900159C0											
63A	90900130C0	90900140C0	90900150C0	90900160C0											

* 1 Width module = 9 mm

RCBO

Order number

LB63N (16~63A)

1P+N RCBO LB63N 1P+N



LB63N 1P+N C63
30mA A-type

Type	Ue (V)	Breaking Capacity	Trip Curve	Operation Type	In (A)	Order Number				Width module	Weight (g)	Packing (pcs.)
						30mA	50mA	100mA	300mA			
1P+N	240 VAC	6kA	D	AC	6A	90900161C0	90900171C0	90900181C0	90900191C0	4	205	6
					10A	90900162C0	90900172C0	90900182C0	90900192C0			
					13A	90900163C0	90900173C0	90900183C0	90900193C0			
					16A	90900164C0	90900174C0	90900184C0	90900194C0			
					20A	90900165C0	90900175C0	90900185C0	90900195C0			
					25A	90900166C0	90900176C0	90900186C0	90900196C0			
					32A	90900167C0	90900177C0	90900187C0	90900197C0			
					40A	90900168C0	90900178C0	90900188C0	90900198C0			
					50A	90900169C0	90900179C0	90900189C0	90900199C0			
				63A	90900170C0	90900180C0	90900190C0	90900200C0				
				A	6A	90900201C0	90900211C0	90900221C0	90900231C0	4	205	6
					10A	90900202C0	90900212C0	90900222C0	90900232C0			
					13A	90900203C0	90900213C0	90900223C0	90900233C0			
					16A	90900204C0	90900214C0	90900224C0	90900234C0			
					20A	90900205C0	90900215C0	90900225C0	90900235C0			
					25A	90900206C0	90900216C0	90900226C0	90900236C0			
					32A	90900207C0	90900217C0	90900227C0	90900237C0			
					40A	90900208C0	90900218C0	90900228C0	90900238C0			
50A	90900209C0	90900219C0	90900229C0		90900239C0							
63A	90900210C0	90900220C0	90900230C0	90900240C0								

* 1 Width module = 9 mm

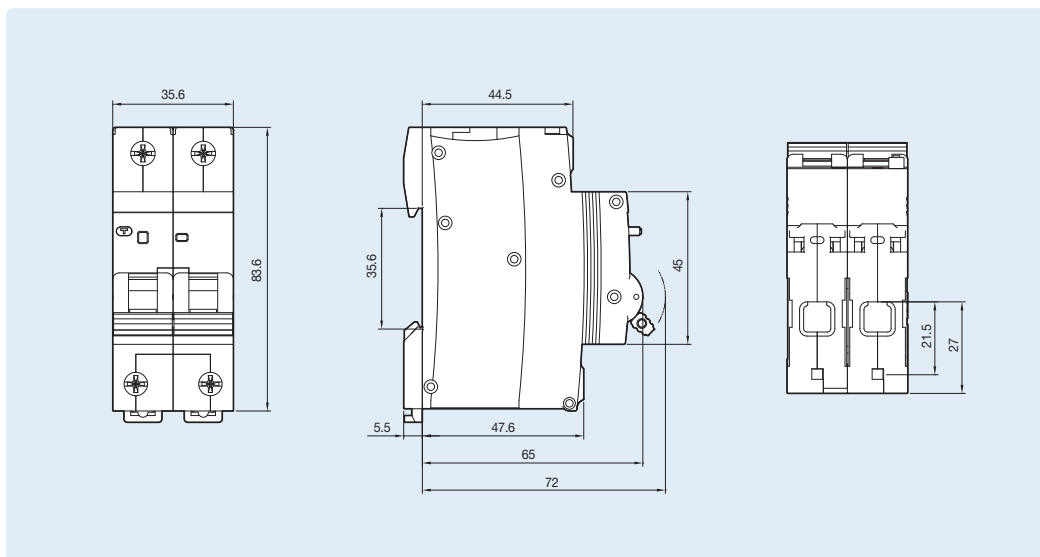
LB63H 2 Pole RCBO

Specifications



	Type	LB63H
Electrical Feature	Standards	IEC/EN 61009-1
	Approvals	CE, CB, UKCA, CCC
	Operation type	AC, A
	Poles	2P
	Rated current (I _n)	6, 10, 13, 16, 20, 25, 32, 40, 50, 63A
	Rated voltage (U _e)	240VAC
	Insulation voltage (U _i)	500V
	Frequency	50/60Hz
	Energy limiting class	3 (Only for B/C curve)
	Rated impulse withstand voltage (U _{imp})	4kV
	Rated short-circuit breaking capacity (I _{cn})	10kA
	Rated service breaking capacity (I _{cs})	7.5kA
	Rated making capacity (I _m)	6000A
	Tripping curve	B, C, D
	Sensitivity (mA)	30, 50, 100, 300
Type of trip	Electronic	
Mechanical Feature	Electrical durability	4000
	Mechanical durability	10000
	Protection degree	IP20
	Operating temperature	-25...60 °C
	Storage temperature	-40...80 °C
Installation	Type of terminal	Lug terminal
	Terminal capacity	Cable up to 25mm ²
	Tightening torque	2 N.m
	Mounting	35mm Din Rail
Accessories	AX	-
	AL	-
	SHT	-
	UVT/OVT	-

Dimension



RCBO

Order number

LB63H (6~63A)

2 pole RCBO LB63H 2P



LB63H 2P C63
30mA A-type

Type	Ue (V)	Breaking Capacity	Trip Curve	Operation Type	In (A)	Order Number				Width module	Weight (g)	Packing (pcs.)	
						30mA	50mA	100mA	300mA				
2P	240 VAC	10kA	B	AC	6A	90910001C0	90910011C0	90910021C0	90910031C0	4	259	6	
					10A	90910002C0	90910012C0	90910022C0	90910032C0				
					13A	90910003C0	90910013C0	90910023C0	90910033C0				
					16A	90910004C0	90910014C0	90910024C0	90910034C0				
					20A	90910005C0	90910015C0	90910025C0	90910035C0				
					25A	90910006C0	90910016C0	90910026C0	90910036C0				
					32A	90910007C0	90910017C0	90910027C0	90910037C0				
					40A	90910008C0	90910018C0	90910028C0	90910038C0				
					50A	90910009C0	90910019C0	90910029C0	90910039C0				
					63A	90910010C0	90910020C0	90910030C0	90910040C0				
					6A	90910041C0	90910051C0	90910061C0	90910071C0				
					10A	90910042C0	90910052C0	90910062C0	90910072C0				
	13A	90910043C0	90910053C0	90910063C0	90910073C0								
	16A	90910044C0	90910054C0	90910064C0	90910074C0								
	20A	90910045C0	90910055C0	90910065C0	90910075C0								
	25A	90910046C0	90910056C0	90910066C0	90910076C0								
	32A	90910047C0	90910057C0	90910067C0	90910077C0								
	40A	90910048C0	90910058C0	90910068C0	90910078C0								
	50A	90910049C0	90910059C0	90910069C0	90910079C0								
	63A	90910050C0	90910060C0	90910070C0	90910080C0								
	2P	240 VAC	10kA	C	AC	6A	90910081C0	90910091C0	90910101C0	90910111C0	4	259	6
						10A	90910082C0	90910092C0	90910102C0	90910112C0			
						13A	90910083C0	90910093C0	90910103C0	90910113C0			
						16A	90910084C0	90910094C0	90910104C0	90910114C0			
20A						90910085C0	90910095C0	90910105C0	90910115C0				
25A						90910086C0	90910096C0	90910106C0	90910116C0				
32A						90910087C0	90910097C0	90910107C0	90910117C0				
40A						90910088C0	90910098C0	90910108C0	90910118C0				
50A						90910089C0	90910099C0	90910109C0	90910119C0				
63A					90910090C0	90910100C0	90910110C0	90910120C0					
A					6A	90910121C0	90910131C0	90910141C0	90910151C0	4	259	6	
					10A	90910122C0	90910132C0	90910142C0	90910152C0				
					13A	90910123C0	90910133C0	90910143C0	90910153C0				
					16A	90910124C0	90910134C0	90910144C0	90910154C0				
					20A	90910125C0	90910135C0	90910145C0	90910155C0				
					25A	90910126C0	90910136C0	90910146C0	90910156C0				
					32A	90910127C0	90910137C0	90910147C0	90910157C0				
					40A	90910128C0	90910138C0	90910148C0	90910158C0				
	50A	90910129C0	90910139C0	90910149C0	90910159C0								
63A	90910130C0	90910140C0	90910150C0	90910160C0									

* 1 Width module = 9 mm

Order number LB63H (6~63A)
2 pole RCBO LB63H 2P



LB63H 2P C63
30mA A-type

Type	Ue (V)	Breaking Capacity	Trip Curve	Operation Type	In (A)	Order Number				Width module	Weight (g)	Packing (pcs.)
						30mA	50mA	100mA	300mA			
2P	240 VAC	10kA	D	AC	6A	90910161C0	90910171C0	90910181C0	90910191C0	4	259	6
					10A	90910162C0	90910172C0	90910182C0	90910192C0			
					13A	90910163C0	90910173C0	90910183C0	90910193C0			
					16A	90910164C0	90910174C0	90910184C0	90910194C0			
					20A	90910165C0	90910175C0	90910185C0	90910195C0			
					25A	90910166C0	90910176C0	90910186C0	90910196C0			
					32A	90910167C0	90910177C0	90910187C0	90910197C0			
					40A	90910168C0	90910178C0	90910188C0	90910198C0			
					50A	90910169C0	90910179C0	90910189C0	90910199C0			
					63A	90910170C0	90910180C0	90910190C0	90910200C0			
				A	6A	90910201C0	90910211C0	90910221C0	90910231C0	4	259	6
					10A	90910202C0	90910212C0	90910222C0	90910232C0			
					13A	90910203C0	90910213C0	90910223C0	90910233C0			
					16A	90910204C0	90910214C0	90910224C0	90910234C0			
					20A	90910205C0	90910215C0	90910225C0	90910235C0			
					25A	90910206C0	90910216C0	90910226C0	90910236C0			
					32A	90910207C0	90910217C0	90910227C0	90910237C0			
					40A	90910208C0	90910218C0	90910228C0	90910238C0			
					50A	90910209C0	90910219C0	90910229C0	90910239C0			
					63A	90910210C0	90910220C0	90910230C0	90910240C0			

* 1 Width module = 9 mm

RCBO

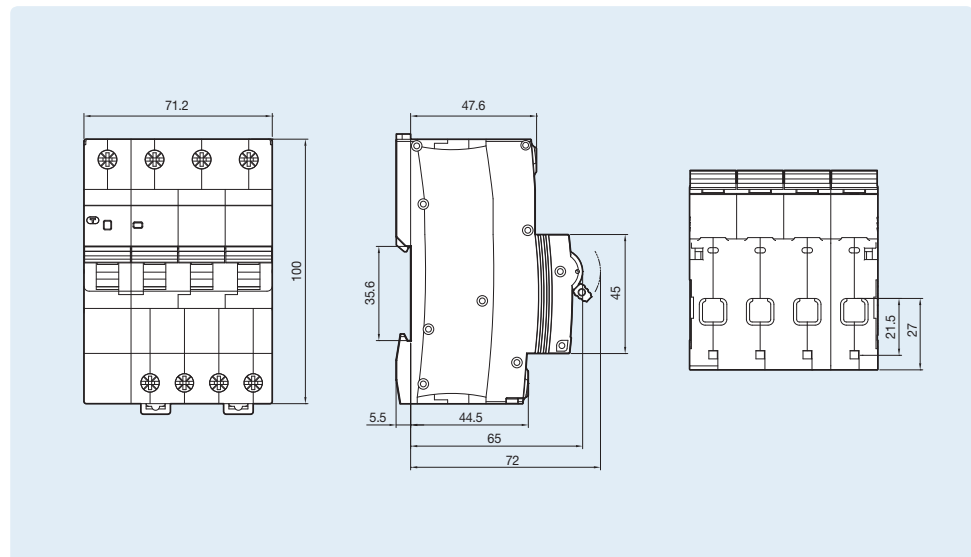
LB63H4 4 Pole RCBO

Specifications



Type		LB63H4
Electrical Feature	Standards	IEC/EN 61009-1
	Approvals	CE, CB, UKCA, CCC
	Operation type	AC, A
	Poles	4P
	Rated current (In)	6, 10, 13, 16, 20, 25, 32, 40, 50, 63A
	Rated voltage (Ue)	415VAC
	Insulation voltage (Ui)	500V
	Frequency	50/60Hz
	Energy limiting class	3 (Only for B/C curve)
	Rated impulse withstand voltage (Uimp)	4kV
	Rated short-circuit breaking capacity (Icn)	10kA
	Rated service breaking capacity (Ics)	7.5kA
	Rated making capacity (Im)	6000A
	Tripping curve	B, C, D
	Sensitivity (mA)	30, 50, 100, 300
	Type of trip	Electronic
Mechanical Feature	Electrical durability	4000
	Mechanical durability	10000
	Protection degree	IP20
	Operating temperature	-25...60 °C
	Storage temperature	-40...80 °C
Installation	Type of terminal	Lug terminal
	Terminal capacity	Cable up to 25mm ²
	Tightening torque	2 N.m
	Mounting	35mm Din Rail
Accessories	AX	-
	AL	-
	SHT	-
	UVT/OVT	-

Dimension



Order number

LB63H4 (6~63A)

4 pole RCBO LB63H4 4P



LB63H4 4P C63
30mA A-type

Type	Ue (V)	Breaking Capacity	Trip Curve	Operation Type	In (A)	Order Number				Width module	Weight (g)	Packing (pcs.)			
						30mA	50mA	100mA	300mA						
4P	415 VAC	10kA	B	AC	6A	90920001C0	90920011C0	90920021C0	90920031C0	8	567	3			
					10A	90920002C0	90920012C0	90920022C0	90920032C0						
					13A	90920003C0	90920013C0	90920023C0	90920033C0						
					16A	90920004C0	90920014C0	90920024C0	90920034C0						
					20A	90920005C0	90920015C0	90920025C0	90920035C0						
					25A	90920006C0	90920016C0	90920026C0	90920036C0						
					32A	90920007C0	90920017C0	90920027C0	90920037C0						
					40A	90920008C0	90920018C0	90920028C0	90920038C0						
					50A	90920009C0	90920019C0	90920029C0	90920039C0						
					63A	90920010C0	90920020C0	90920030C0	90920040C0						
					6A	90920041C0	90920051C0	90920061C0	90920071C0				8	567	3
					10A	90920042C0	90920052C0	90920062C0	90920072C0						
	13A	90920043C0	90920053C0	90920063C0	90920073C0										
	16A	90920044C0	90920054C0	90920064C0	90920074C0										
	20A	90920045C0	90920055C0	90920065C0	90920075C0										
	25A	90920046C0	90920056C0	90920066C0	90920076C0										
	32A	90920047C0	90920057C0	90920067C0	90920077C0										
	40A	90920048C0	90920058C0	90920068C0	90920078C0										
	50A	90920049C0	90920059C0	90920069C0	90920079C0										
	63A	90920050C0	90920060C0	90920070C0	90920080C0										
	415 VAC	10kA	C	AC	6A	90920081C0	90920091C0	90920101C0	90920111C0	8	567	3			
					10A	90920082C0	90920092C0	90920102C0	90920112C0						
					13A	90920083C0	90920093C0	90920103C0	90920113C0						
					16A	90920084C0	90920094C0	90920104C0	90920114C0						
20A					90920085C0	90920095C0	90920105C0	90920115C0							
25A					90920086C0	90920096C0	90920106C0	90920116C0							
32A					90920087C0	90920097C0	90920107C0	90920117C0							
40A					90920088C0	90920098C0	90920108C0	90920118C0							
50A					90920089C0	90920099C0	90920109C0	90920119C0							
63A					90920090C0	90920100C0	90920110C0	90920120C0							
6A					90920121C0	90920131C0	90920141C0	90920151C0	8				567	3	
10A					90920122C0	90920132C0	90920142C0	90920152C0							
13A	90920123C0	90920133C0	90920143C0	90920153C0											
16A	90920124C0	90920134C0	90920144C0	90920154C0											
20A	90920125C0	90920135C0	90920145C0	90920155C0											
25A	90920126C0	90920136C0	90920146C0	90920156C0											
32A	90920127C0	90920137C0	90920147C0	90920157C0											
40A	90920128C0	90920138C0	90920148C0	90920158C0											
50A	90920129C0	90920139C0	90920149C0	90920159C0											
63A	90920130C0	90920140C0	90920150C0	90920160C0											

* 1 Width module = 9 mm

RCBO

Order number

LB63H4 (6~63A)

4 pole RCBO LB63H4 4P



LB63H4 4P C63
30mA A-type

Type	Ue (V)	Breaking Capacity	Trip Curve	Operation Type	In (A)	Order Number				Width module	Weight (g)	Packing (pcs.)			
						30mA	50mA	100mA	300mA						
4P	415 VAC	10kA	D	AC	6A	90920161C0	90920171C0	90920181C0	90920191C0	8	567	3			
					10A	90920162C0	90920172C0	90920182C0	90920192C0						
					13A	90920163C0	90920173C0	90920183C0	90920193C0						
					16A	90920164C0	90920174C0	90920184C0	90920194C0						
					20A	90920165C0	90920175C0	90920185C0	90920195C0						
					25A	90920166C0	90920176C0	90920186C0	90920196C0						
					32A	90920167C0	90920177C0	90920187C0	90920197C0						
					40A	90920168C0	90920178C0	90920188C0	90920198C0						
					50A	90920169C0	90920179C0	90920189C0	90920199C0						
					63A	90920170C0	90920180C0	90920190C0	90920200C0						
					6A	90920201C0	90920211C0	90920221C0	90920231C0				8	567	3
					10A	90920202C0	90920212C0	90920222C0	90920232C0						
					13A	90920203C0	90920213C0	90920223C0	90920233C0						
					16A	90920204C0	90920214C0	90920224C0	90920234C0						
20A	90920205C0	90920215C0	90920225C0	90920235C0											
25A	90920206C0	90920216C0	90920226C0	90920236C0											
32A	90920207C0	90920217C0	90920227C0	90920237C0											
40A	90920208C0	90920218C0	90920228C0	90920238C0											
50A	90920209C0	90920219C0	90920229C0	90920239C0											
63A	90920210C0	90920220C0	90920230C0	90920240C0											

* 1 Width module = 9 mm

LB50HW

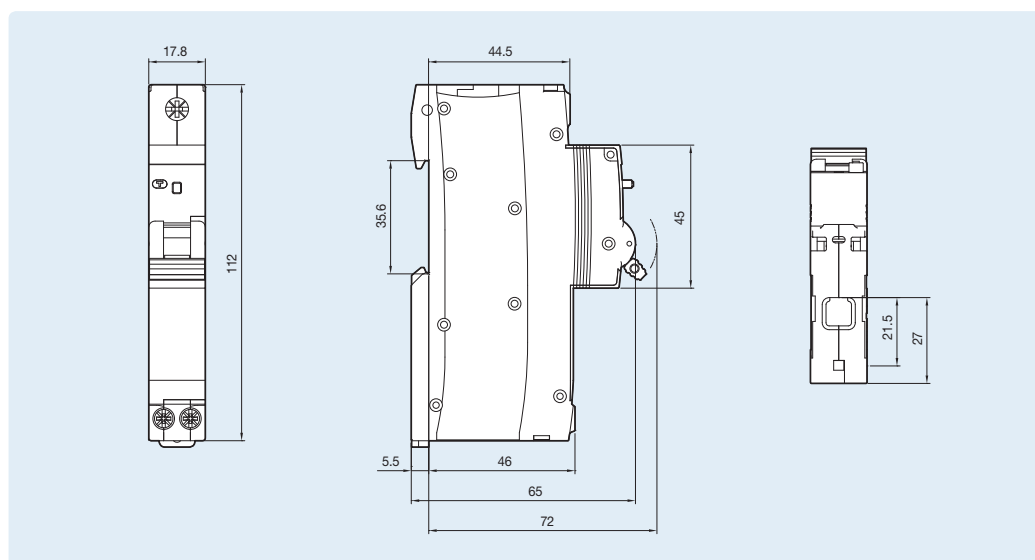
1P+N RCBO with connection wire

Specifications



Type	LB50HW
Standards	IEC/EN 61009-1
Approvals	CE, CB, UKCA
Operation type	AC, A
Poles	1P+N
Rated current (In)	6, 10, 13, 16, 20, 25, 32, 40, 50A
Rated voltage (Ue)	230/240VAC
Insulation voltage (Ui)	500V
Frequency	50/60Hz
Energy limiting class	3 (Only for B/C curve)
Rated impulse withstand voltage (Uimp)	4kV
Rated short-circuit breaking capacity (Icn)	10kA
Rated service breaking capacity (Ics)	7.5kA
Rated making capacity (Im)	6000A
Tripping curve	B, C, D
Sensitivity (mA)	10, 30, 100, 300
Type of trip	Electronic
Electrical durability	4000
Mechanical durability	10000
Protection degree	IP20
Operating temperature	-25...60 °C
Storage temperature	-40...80 °C
Type of terminal	Lug terminal
Terminal capacity	Cable up to 25mm ²
Tightening torque	Line : 2 N.m, Load : 1.2 N.m
Mounting	35mm Din Rail
AX	-
AL	-
SHT	-
UVT/OVT	-

Dimension



RCBO

Order number

LB50HW (6~50A)

1P+N RCBO with connection wire LB50HW 1P+N



LB50HW 1P+N C50
10mA A-type

Type	Ue (V)	Breaking Capacity	Trip Curve	Operation Type	In (A)	Order Number				Width module	Weight (g)	Packing (pcs.)
						10mA	30mA	100mA	300mA			
1P+N	230/240 VAC	10kA	B	AC	6A	90890001C0	90890010C0	90890019C0	90890028C0	2	234	1
					10A	90890002C0	90890011C0	90890020C0	90890029C0			
					13A	90890003C0	90890012C0	90890021C0	90890030C0			
					16A	90890004C0	90890013C0	90890022C0	90890031C0			
					20A	90890005C0	90890014C0	90890023C0	90890032C0			
					25A	90890006C0	90890015C0	90890024C0	90890033C0			
					32A	90890007C0	90890016C0	90890025C0	90890034C0			
					40A	90890008C0	90890017C0	90890026C0	90890035C0			
					50A	90890009C0	90890018C0	90890027C0	90890036C0			
					A	6A	90890037C0	90890046C0	90890055C0			
	10A	90890038C0	90890047C0	90890056C0		90890065C0						
	13A	90890039C0	90890048C0	90890057C0		90890066C0						
	16A	90890040C0	90890049C0	90890058C0		90890067C0						
	20A	90890041C0	90890050C0	90890059C0		90890068C0						
	25A	90890042C0	90890051C0	90890060C0		90890069C0						
	32A	90890043C0	90890052C0	90890061C0		90890070C0						
	40A	90890044C0	90890053C0	90890062C0		90890071C0						
	50A	90890045C0	90890054C0	90890063C0		90890072C0						
	230/240 VAC	10kA	C	AC		6A	90890073C0	90890082C0	90890091C0	90890100C0	2	234
					10A	90890074C0	90890083C0	90890092C0	90890101C0			
13A					90890075C0	90890084C0	90890093C0	90890102C0				
16A					90890076C0	90890085C0	90890094C0	90890103C0				
20A					90890077C0	90890086C0	90890095C0	90890104C0				
25A					90890078C0	90890087C0	90890096C0	90890105C0				
32A					90890079C0	90890088C0	90890097C0	90890106C0				
40A					90890080C0	90890089C0	90890098C0	90890107C0				
50A					90890081C0	90890090C0	90890099C0	90890108C0				
A					6A	90890109C0	90890118C0	90890127C0	90890136C0	2		
		10A	90890110C0	90890119C0	90890128C0	90890137C0						
		13A	90890111C0	90890120C0	90890129C0	90890138C0						
		16A	90890112C0	90890121C0	90890130C0	90890139C0						
		20A	90890113C0	90890122C0	90890131C0	90890140C0						
		25A	90890114C0	90890123C0	90890132C0	90890141C0						
		32A	90890115C0	90890124C0	90890133C0	90890142C0						
		40A	90890116C0	90890125C0	90890134C0	90890143C0						
		50A	90890117C0	90890126C0	90890135C0	90890144C0						

* 1 Width module=9 mm

Order number LB50HW (6~50A)

1P+N RCBO with connection wire LB50HW 1P+N



LB50HW 1P+N C50
10mA A-type

Type	Ue (V)	Breaking Capacity	Trip Curve	Operation Type	In (A)	Order Number				Width module	Weight (g)	Packing (pcs.)
						10mA	30mA	100mA	300mA			
1P+N	230/240 VAC	10kA	D	AC	6A	90890145C0	90890154C0	90890163C0	90890172C0	2	234	1
					10A	90890146C0	90890155C0	90890164C0	90890173C0			
					13A	90890147C0	90890156C0	90890165C0	90890174C0			
					16A	90890148C0	90890157C0	90890166C0	90890175C0			
					20A	90890149C0	90890158C0	90890167C0	90890176C0			
					25A	90890150C0	90890159C0	90890168C0	90890177C0			
					32A	90890151C0	90890160C0	90890169C0	90890178C0			
					40A	90890152C0	90890161C0	90890170C0	90890179C0			
					50A	90890153C0	90890162C0	90890171C0	90890180C0			
				A	6A	90890181C0	90890190C0	90890199C0	90890208C0	2	234	1
					10A	90890182C0	90890191C0	90890200C0	90890209C0			
					13A	90890183C0	90890192C0	90890201C0	90890210C0			
					16A	90890184C0	90890193C0	90890202C0	90890211C0			
					20A	90890185C0	90890194C0	90890203C0	90890212C0			
					25A	90890186C0	90890195C0	90890204C0	90890213C0			
					32A	90890187C0	90890196C0	90890205C0	90890214C0			
					40A	90890188C0	90890197C0	90890206C0	90890215C0			
					50A	90890189C0	90890198C0	90890207C0	90890216C0			

* 1 Width module = 9 mm

RCBO

LB63HW

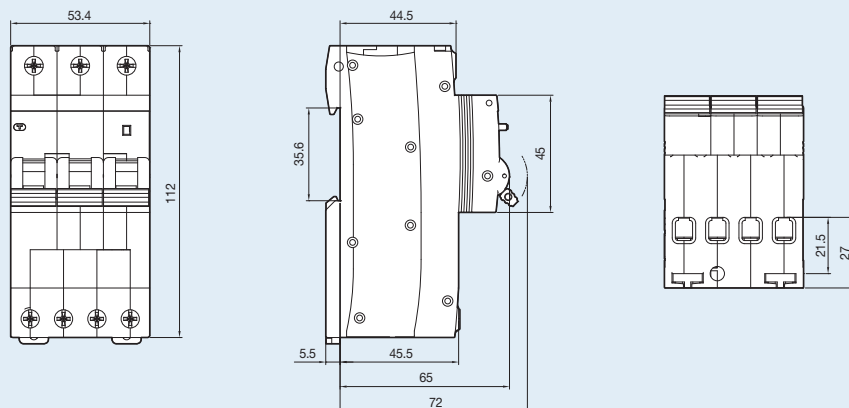
3P+N RCBO with connection wire

Specifications



	Type	LB63HW
Electrical Feature	Standards	IEC/EN 61009-1
	Approvals	CE, CB, UKCA
	Operation type	AC, A
	Poles	3P+N
	Rated current (In)	6, 10, 13, 16, 20, 25, 32, 40, 50, 63A
	Rated voltage (Ue)	400/415VAC
	Insulation voltage (Ui)	500V
	Frequency	50/60Hz
	Energy limiting class	3 (Only for B/C curve)
	Rated impulse withstand voltage (Uimp)	4kV
	Rated short-circuit breaking capacity (Icn)	10kA
	Rated service breaking capacity (Ics)	7.5kA
	Rated making capacity (Im)	6000A
	Tripping curve	B, C, D
	Sensitivity (mA)	10, 30, 100, 300
Type of trip	Electronic	
Mechanical Feature	Electrical durability	4000
	Mechanical durability	10000
	Protection degree	IP20
	Operating temperature	-25...60 °C
	Storage temperature	-40...80 °C
Installation	Type of terminal	Lug terminal
	Terminal capacity	Cable up to 25mm ²
	Tightening torque	2 N.m
	Mounting	35mm Din Rail
Accessories	AX	-
	AL	-
	SHT	-
	UVT/OVT	-

Dimension



Order number

LB63HW (6~63A)

3P+N RCBO with connection wire LB63HW 3P+N



LB63HW 3P+N C63

Type	Ue (V)	Breaking Capacity	Trip Curve	Operation Type	In (A)	Order Number				Width module	Weight (g)	Packing (pcs.)			
						10mA	30mA	100mA	300mA						
3P+N	400/ 415 VAC	10kA	B	AC	6A	90930001C0	90930011C0	90930021C0	90930031C0	6	513	1			
					10A	90930002C0	90930012C0	90930022C0	90930032C0						
					13A	90930003C0	90930013C0	90930023C0	90930033C0						
					16A	90930004C0	90930014C0	90930024C0	90930034C0						
					20A	90930005C0	90930015C0	90930025C0	90930035C0						
					25A	90930006C0	90930016C0	90930026C0	90930036C0						
					32A	90930007C0	90930017C0	90930027C0	90930037C0						
					40A	90930008C0	90930018C0	90930028C0	90930038C0						
					50A	90930009C0	90930019C0	90930029C0	90930039C0						
					63A	90930010C0	90930020C0	90930030C0	90930040C0						
					6A	90930041C0	90930051C0	90930061C0	90930071C0				6	513	1
					10A	90930042C0	90930052C0	90930062C0	90930072C0						
	13A	90930043C0	90930053C0	90930063C0	90930073C0										
	16A	90930044C0	90930054C0	90930064C0	90930074C0										
	20A	90930045C0	90930055C0	90930065C0	90930075C0										
	25A	90930046C0	90930056C0	90930066C0	90930076C0										
	32A	90930047C0	90930057C0	90930067C0	90930077C0										
	40A	90930048C0	90930058C0	90930068C0	90930078C0										
	50A	90930049C0	90930059C0	90930069C0	90930079C0										
	63A	90930050C0	90930060C0	90930070C0	90930080C0										
	400/ 415 VAC	10kA	C	AC	6A	90930081C0	90930091C0	90930101C0	90930111C0	6	513	1			
					10A	90930082C0	90930092C0	90930102C0	90930112C0						
					13A	90930083C0	90930093C0	90930103C0	90930113C0						
					16A	90930084C0	90930094C0	90930104C0	90930114C0						
20A					90930085C0	90930095C0	90930105C0	90930115C0							
25A					90930086C0	90930096C0	90930106C0	90930116C0							
32A					90930087C0	90930097C0	90930107C0	90930117C0							
40A					90930088C0	90930098C0	90930108C0	90930118C0							
50A					90930089C0	90930099C0	90930109C0	90930119C0							
63A					90930090C0	90930100C0	90930110C0	90930120C0							
6A					90930121C0	90930131C0	90930141C0	90930151C0	6				513	1	
10A					90930122C0	90930132C0	90930142C0	90930152C0							
13A	90930123C0	90930133C0	90930143C0	90930153C0											
16A	90930124C0	90930134C0	90930144C0	90930154C0											
20A	90930125C0	90930135C0	90930145C0	90930155C0											
25A	90930126C0	90930136C0	90930146C0	90930156C0											
32A	90930127C0	90930137C0	90930147C0	90930157C0											
40A	90930128C0	90930138C0	90930148C0	90930158C0											
50A	90930129C0	90930139C0	90930149C0	90930159C0											
63A	90930130C0	90930140C0	90930150C0	90930160C0											

* 1 Width module = 9 mm

RCBO

Order number

LB63HW (6~63A)

3P+N RCBO with connection wire LB63HW 3P+N



LB63HW 3P+N C63

Type	Ue (V)	Breaking Capacity	Trip Curve	Operation Type	In (A)	Order Number				Width module	Weight (g)	Packing (pcs.)			
						10mA	30mA	100mA	300mA						
3P+N	400/ 415 VAC	10kA	D	AC	6A	90930161C0	90930171C0	90930181C0	90930191C0	6	513	1			
					10A	90930162C0	90930172C0	90930182C0	90930192C0						
					13A	90930163C0	90930173C0	90930183C0	90930193C0						
					16A	90930164C0	90930174C0	90930184C0	90930194C0						
					20A	90930165C0	90930175C0	90930185C0	90930195C0						
					25A	90930166C0	90930176C0	90930186C0	90930196C0						
					32A	90930167C0	90930177C0	90930187C0	90930197C0						
					40A	90930168C0	90930178C0	90930188C0	90930198C0						
					50A	90930169C0	90930179C0	90930189C0	90930199C0						
					63A	90930170C0	90930180C0	90930190C0	90930200C0						
					6A	90930201C0	90930211C0	90930221C0	90930231C0				6	513	1
					10A	90930202C0	90930212C0	90930222C0	90930232C0						
					13A	90930203C0	90930213C0	90930223C0	90930233C0						
					16A	90930204C0	90930214C0	90930224C0	90930234C0						
20A	90930205C0	90930215C0	90930225C0	90930235C0											
25A	90930206C0	90930216C0	90930226C0	90930236C0											
32A	90930207C0	90930217C0	90930227C0	90930237C0											
40A	90930208C0	90930218C0	90930228C0	90930238C0											
50A	90930209C0	90930219C0	90930229C0	90930239C0											
63A	90930210C0	90930220C0	90930230C0	90930240C0											

* 1 Width module=9 mm

LC63N / LC63NR 63A RCCB

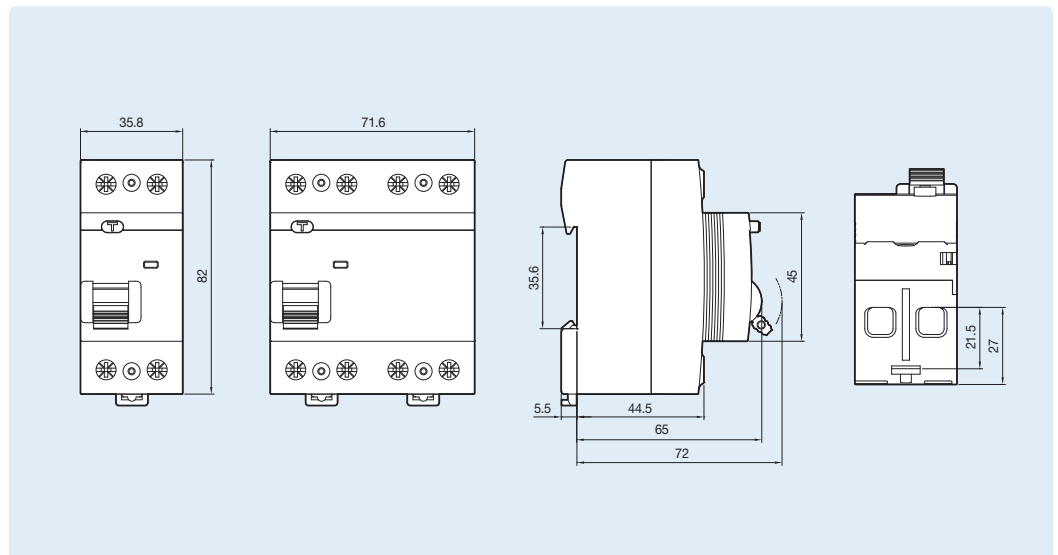
Specifications



Type	LC63N *	LC63NR *
Standards	IEC/EN 61008-1	IEC/EN 61008-1
Approvals	CE, CB, UKCA, CCC	CE, CB, UKCA, CCC
Operation type	AC, A	AC, A
Poles	1P+N, 3P+N	1P+N, 3P+N
Rated current (In)	16, 25, 32, 40, 50, 63A	16, 25, 32, 40, 50, 63A
Rated voltage (Ue)	1P+N: 240VAC / 3P+N: 415VAC	1P+N: 240VAC / 3P+N: 415VAC
Insulation voltage (Ui)	500V	500V
Frequency	50/60Hz	50/60Hz
Energy limiting class	-	-
Rated impulse withstand voltage (Uimp)	4kV	4kV
Rated short-circuit breaking capacity (Icn)	-	-
Rated conditional short-circuit current (Icc)	6kA	6kA
Rated making capacity (Im)	500A for In=16, 25, 32, 40, 50A 630A for In=63A	500A for In=16, 25, 32, 40, 50A 630A for In=63A
Tripping curve	-	-
Sensitivity (mA)	30, 100, 300	30, 100, 300
Type of trip	Magnetic	Magnetic
Electrical durability	4000	4000
Mechanical durability	10000	10000
Protection degree	IP20	IP20
Operating temperature	-25...60 °C	-25...60 °C
Storage temperature	-40...80 °C	-40...80 °C
Type of terminal	Lug terminal	Lug terminal
Terminal capacity	Cable up to 25mm ²	Cable up to 25mm ²
Tightening torque	2 N.m	2 N.m
Mounting	35mm Din Rail	35mm Din Rail
AX	LC-AX	LC-AX
AL	LC-AL	LC-AL
SHT	LC-SHT	LC-SHT
UVT/OVT	LC-U/OVT	LC-U/OVT

* LC63N's neutral is on the left of RCCB and LC63NR's neutral is on the right of RCCB

Dimension



RCCB

Order number

LC63N (16~63A)

63A RCCB LC63N P+N



LC63N 1P+N 63
30mA A-type



LC63N 3P+N 63
30mA A-type

Type	Ue (V)	Operation Type	In (A)	Order Number			Width module	Weight (g)	Packing (pcs.)
				30mA	100mA	300mA			
1P+N	240 VAC	AC	16A	90820001C0	90820007C0	90820013C0	4	196	6
			25A	90820002C0	90820008C0	90820014C0			
			32A	90820003C0	90820009C0	90820015C0			
			40A	90820004C0	90820010C0	90820016C0			
			50A	90820005C0	90820011C0	90820017C0			
			63A	90820006C0	90820012C0	90820018C0			
	240 VAC	A	16A	90820019C0	90820025C0	90820031C0	4	196	6
			25A	90820020C0	90820026C0	90820032C0			
			32A	90820021C0	90820027C0	90820033C0			
			40A	90820022C0	90820028C0	90820034C0			
			50A	90820023C0	90820029C0	90820035C0			
			63A	90820024C0	90820030C0	90820036C0			
3P+N	415 VAC	AC	16A	90820037C0	90820043C0	90820049C0	8	323	3
			25A	90820038C0	90820044C0	90820050C0			
			32A	90820039C0	90820045C0	90820051C0			
			40A	90820040C0	90820046C0	90820052C0			
			50A	90820041C0	90820047C0	90820053C0			
			63A	90820042C0	90820048C0	90820054C0			
	415 VAC	A	16A	90820055C0	90820061C0	90820067C0	8	323	3
			25A	90820056C0	90820062C0	90820068C0			
			32A	90820057C0	90820063C0	90820069C0			
			40A	90820058C0	90820064C0	90820070C0			
			50A	90820059C0	90820065C0	90820071C0			
			63A	90820060C0	90820066C0	90820072C0			

* 1 Width module = 9 mm

Order number

LC63NR (16~63A)

63A RCCB LC63NR P+N



LC63NR 1P+N 63
30mA A-type



LC63NR 3P+N 63
30mA A-type

Type	Ue (V)	Operation Type	In (A)	Order Number			Width module	Weight (g)	Packing (pcs.)
				30mA	100mA	300mA			
1P+N	240 VAC	AC	16A	90820073C0	90820079C0	90820085C0	4	196	6
			25A	90820074C0	90820080C0	90820086C0			
			32A	90820075C0	90820081C0	90820087C0			
			40A	90820076C0	90820082C0	90820088C0			
			50A	90820077C0	90820083C0	90820089C0			
			63A	90820078C0	90820084C0	90820090C0			
	240 VAC	A	16A	90820091C0	90820097C0	90820103C0	4	196	6
			25A	90820092C0	90820098C0	90820104C0			
			32A	90820093C0	90820099C0	90820105C0			
			40A	90820094C0	90820100C0	90820106C0			
			50A	90820095C0	90820101C0	90820107C0			
			63A	90820096C0	90820102C0	90820108C0			
3P+N	415 VAC	AC	16A	90820109C0	90820115C0	90820121C0	8	323	3
			25A	90820110C0	90820116C0	90820122C0			
			32A	90820111C0	90820117C0	90820123C0			
			40A	90820112C0	90820118C0	90820124C0			
			50A	90820113C0	90820119C0	90820125C0			
			63A	90820114C0	90820120C0	90820126C0			
	415 VAC	A	16A	90820127C0	90820133C0	90820139C0	8	323	3
			25A	90820128C0	90820134C0	90820140C0			
			32A	90820129C0	90820135C0	90820141C0			
			40A	90820130C0	90820136C0	90820142C0			
			50A	90820131C0	90820137C0	90820143C0			
			63A	90820132C0	90820138C0	90820144C0			

* 1 Width module=9 mm

LC100H / LC100HR 100A RCCB

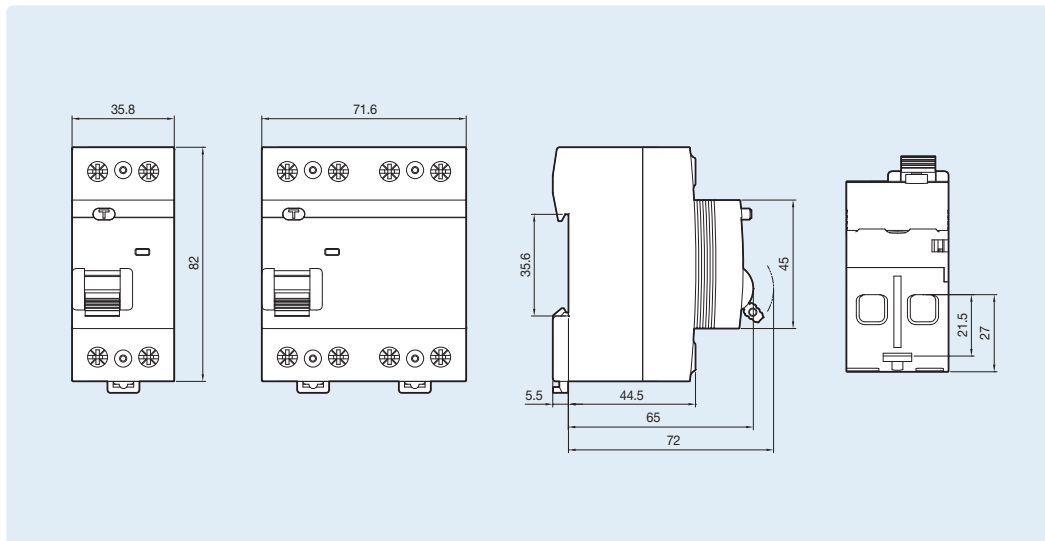
Specifications



Type		LC100H *	LC100HR *
Electrical Feature	Standards	IEC/EN 61008-1	IEC/EN 61008-1
	Approvals	CE, CB, UKCA, CCC	CE, CB, UKCA, CCC
	Operation type	AC, A, AC(S), A(S) **	AC, A, AC(S), A(S) **
	Poles	1P+N, 3P+N	1P+N, 3P+N
	Rated current (In)	16, 25, 32, 40, 50, 63, 80, 100A	16, 25, 32, 40, 50, 63, 80, 100A
	Rated voltage (Ue)	1P+N: 240VAC / 3P+N: 415VAC	1P+N: 240VAC / 3P+N: 415VAC
	Insulation voltage (Ui)	500V	500V
	Frequency	50/60Hz	50/60Hz
	Energy limiting class	-	-
	Rated impulse withstand voltage (Uimp)	4kV	4kV
	Rated short-circuit breaking capacity (Icn)	-	-
	Rated conditional short-circuit current (Icc)	10kA	10kA
	Rated making capacity (Im)	500A for In=16, 25, 32, 40, 50A 630A for In=63A 800A for In=80A 1000A for In=100A	500A for In=16, 25, 32, 40, 50A 630A for In=63A 800A for In=80A 1000A for In=100A
	Tripping curve	-	-
	Mechanical Feature	Sensitivity (mA)	30, 100, 300
Type of trip		Magnetic	Magnetic
Electrical durability		4000	4000
Mechanical durability		10000	10000
Protection degree		IP20	IP20
Installation	Operating temperature	-25...60 °C	-25...60 °C
	Storage temperature	-40...80 °C	-40...80 °C
	Type of terminal	Lug terminal	Lug terminal
	Terminal capacity	Cable up to 50mm ²	Cable up to 50mm ²
	Tightening torque	3.5 N.m	3.5 N.m
Accessories	Mounting	35mm Din Rail	35mm Din Rail
	AX	LC-AX	LC-AX
	AL	LC-AL	LC-AL
	SHT	LC-SHT	LC-SHT
	UVT/OVT	LC-U/OVT	LC-U/OVT

* LC100H's neutral is on the left of RCCB and LC100HR's neutral is on the right of RCCB
 ** AC(S), A(S) is Earth-leakage protection time delayed product
 AC(S), A(S) is just available for 40-100A rated current and 100/300mA rated sensitivity

Dimension



Order number

LC100H (16~100A)

100A RCCB LC100H P+N



LC100H 1P+N 100
30mA A-type



LC100H 3P+N 100
30mA A-type

Type	Ue (V)	Operation Type	In (A)	Order Number			Width module	Weight (g)	Packing (pcs.)		
				30mA	100mA	300mA					
1P+N	240 VAC	AC	16A	90840001C0	90840009C0	90840017C0	4	225	6		
			25A	90840002C0	90840010C0	90840018C0					
			32A	90840003C0	90840011C0	90840019C0					
			40A	90840004C0	90840012C0	90840020C0					
			50A	90840005C0	90840013C0	90840021C0					
			63A	90840006C0	90840014C0	90840022C0					
			80A	90840007C0	90840015C0	90840023C0					
			100A	90840008C0	90840016C0	90840024C0					
		AC(S)	40A	-	90840025C0	90840029C0	4	225	6		
			63A	-	90840026C0	90840030C0					
			80A	-	90840027C0	90840031C0					
			100A	-	90840028C0	90840032C0					
		A	16A	90840033C0	90840041C0	90840049C0	4	225	6		
			25A	90840034C0	90840042C0	90840050C0					
			32A	90840035C0	90840043C0	90840051C0					
			40A	90840036C0	90840044C0	90840052C0					
			50A	90840037C0	90840045C0	90840053C0					
			63A	90840038C0	90840046C0	90840054C0					
			80A	90840039C0	90840047C0	90840055C0					
			100A	90840040C0	90840048C0	90840056C0					
		A(S)	40A	-	90840057C0	90840061C0	4	225	6		
			63A	-	90840058C0	90840062C0					
			80A	-	90840059C0	90840063C0					
			100A	-	90840060C0	90840064C0					
		3P+N	415 VAC	AC	16A	90840065C0	90840073C0	90840081C0	8	380	3
					25A	90840066C0	90840074C0	90840082C0			
					32A	90840067C0	90840075C0	90840083C0			
					40A	90840068C0	90840076C0	90840084C0			
50A	90840069C0				90840077C0	90840085C0					
63A	90840070C0				90840078C0	90840086C0					
80A	90840071C0				90840079C0	90840087C0					
100A	90840072C0				90840080C0	90840088C0					
AC(S)	40A			-	90840089C0	90840093C0	8	380	3		
	63A			-	90840090C0	90840094C0					
	80A			-	90840091C0	90840095C0					
	100A			-	90840092C0	90840096C0					
A	16A			90840097C0	90840105C0	90840113C0	8	380	3		
	25A			90840098C0	90840106C0	90840114C0					
	32A			90840099C0	90840107C0	90840115C0					
	40A			90840100C0	90840108C0	90840116C0					
	50A			90840101C0	90840109C0	90840117C0					
	63A			90840102C0	90840110C0	90840118C0					
	80A			90840103C0	90840111C0	90840119C0					
	100A			90840104C0	90840112C0	90840120C0					
A(S)	40A			-	90840121C0	90840125C0	8	380	3		
	63A			-	90840122C0	90840126C0					
	80A			-	90840123C0	90840127C0					
	100A			-	90840124C0	90840128C0					

* 1 Width module = 9 mm

RCCB

Order number

LC100HR (16~100A)

100A RCCB LC100HR P+N



LC100HR 1P+N 100
30mA A-type



LC100HR 3P+N 100
30mA A-type

Type	Ue (V)	Operation Type	In (A)	Order Number			Width module	Weight (g)	Packing (pcs.)		
				30mA	100mA	300mA					
1P+N	240 VAC	AC	16A	90840129C0	90840137C0	90840145C0	4	225	6		
			25A	90840130C0	90840138C0	90840146C0					
			32A	90840131C0	90840139C0	90840147C0					
			40A	90840132C0	90840140C0	90840148C0					
			50A	90840133C0	90840141C0	90840149C0					
			63A	90840134C0	90840142C0	90840150C0					
			80A	90840135C0	90840143C0	90840151C0					
			100A	90840136C0	90840144C0	90840152C0					
		AC(S)	40A	-	90840153C0	90840157C0	4	225	6		
			63A	-	90840154C0	90840158C0					
			80A	-	90840155C0	90840159C0					
			100A	-	90840156C0	90840160C0					
		A	16A	90840161C0	90840169C0	90840177C0	4	225	6		
			25A	90840162C0	90840170C0	90840178C0					
			32A	90840163C0	90840171C0	90840179C0					
			40A	90840164C0	90840172C0	90840180C0					
			50A	90840165C0	90840173C0	90840181C0					
			63A	90840166C0	90840174C0	90840182C0					
			80A	90840167C0	90840175C0	90840183C0					
			100A	90840168C0	90840176C0	90840184C0					
		A(S)	40A	-	90840185C0	90840189C0	4	225	6		
			63A	-	90840186C0	90840190C0					
			80A	-	90840187C0	90840191C0					
			100A	-	90840188C0	90840192C0					
		3P+N	415 VAC	AC	16A	90840193C0	90840201C0	90840209C0	8	380	3
					25A	90840194C0	90840202C0	90840210C0			
					32A	90840195C0	90840203C0	90840211C0			
					40A	90840196C0	90840204C0	90840212C0			
50A	90840197C0				90840205C0	90840213C0					
63A	90840198C0				90840206C0	90840214C0					
80A	90840199C0				90840207C0	90840215C0					
100A	90840200C0				90840208C0	90840216C0					
AC(S)	40A			-	90840217C0	90840221C0	8	380	3		
	63A			-	90840218C0	90840222C0					
	80A			-	90840219C0	90840223C0					
	100A			-	90840220C0	90840224C0					
A	16A			90840225C0	90840233C0	90840241C0	8	380	3		
	25A			90840226C0	90840234C0	90840242C0					
	32A			90840227C0	90840235C0	90840243C0					
	40A			90840228C0	90840236C0	90840244C0					
	50A			90840229C0	90840237C0	90840245C0					
	63A			90840230C0	90840238C0	90840246C0					
	80A			90840231C0	90840239C0	90840247C0					
	100A			90840232C0	90840240C0	90840248C0					
A(S)	40A			-	90840249C0	90840253C0	8	380	3		
	63A			-	90840250C0	90840254C0					
	80A			-	90840251C0	90840255C0					
	100A			-	90840252C0	90840256C0					

* 1 Width module = 9 mm

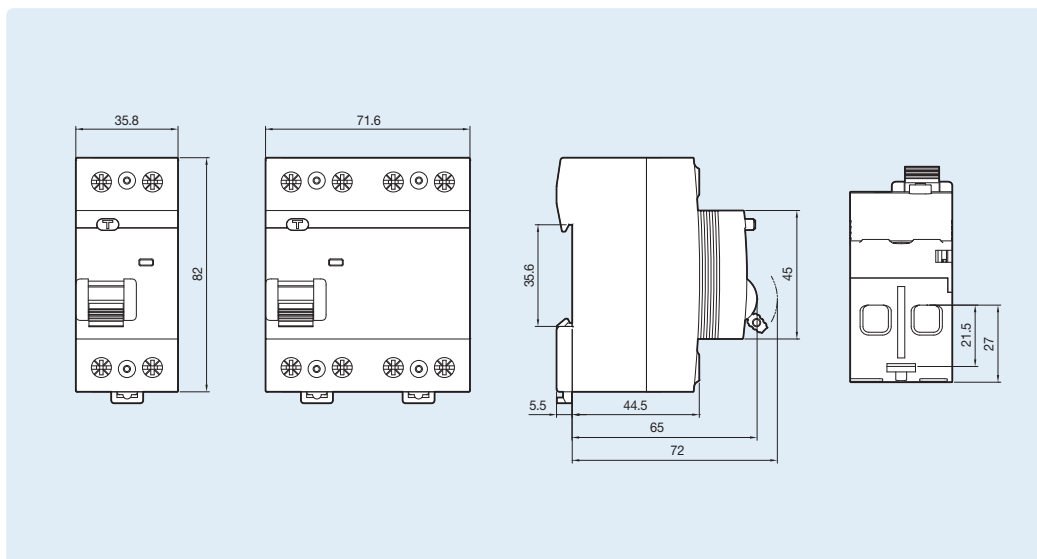
LC80HB B type RCCB

Specifications



Type	LC80HB
Standards	IEC/EN 61008-1, 62423
Approvals	CE, CB, UKCA, CCC
Operation type	B
Poles	1P+N, 3P+N
Rated current (In)	16, 25, 32, 40, 50, 63, 80A
Rated voltage (Ue)	1P+N: 240VAC / 3P+N: 415VAC
Insulation voltage (Ui)	500V
Frequency	50/60Hz
Electrical Feature	
Energy limiting class	-
Rated impulse withstand voltage (Uimp)	4kV
Rated short-circuit breaking capacity (Icn)	-
Rated conditional short-circuit current (Icc)	10kA
Rated making capacity (Im)	500A for In=16, 25, 32, 40, 50A 630A for In=63A 800A for In=80A
Tripping curve	-
Sensitivity (mA)	30, 100, 300
Type of trip	Magnetic
Mechanical Feature	
Electrical durability	2000
Mechanical durability	10000
Protection degree	IP20
Operating temperature	-25...60 °C
Storage temperature	-40...80 °C
Installation	
Type of terminal	Lug terminal
Terminal capacity	Cable up to 50mm ²
Tightening torque	3.5 N.m
Mounting	35mm Din Rail
Accessories	
AX	LC-AX
AL	LC-AL
SHT	LC-SHT
UVT/OVT	LC-U/OVT

Dimension



RCCB

Order number

LC80HB (16~80A)

B type RCCB LC80HB P+N



LC80HB 1P+N 80
30mA B-type



LC80HB 3P+N 80
30mA B-type

Type	Ue (V)	Operation Type	In (A)	Order Number			Width module	Weight (g)	Packing (pcs.)
				30mA	100mA	300mA			
1P+N	240 VAC	B	16A	90830001C0	90830008C0	90830015C0	4	193	6
			25A	90830002C0	90830009C0	90830016C0			
			32A	90830003C0	90830010C0	90830017C0			
			40A	90830004C0	90830011C0	90830018C0			
			50A	90830005C0	90830012C0	90830019C0			
			63A	90830006C0	90830013C0	90830020C0			
			80A	90830007C0	90830014C0	90830021C0			
3P+N	415 VAC	B	16A	90830022C0	90830029C0	90830036C0	8	357	3
			25A	90830023C0	90830030C0	90830037C0			
			32A	90830024C0	90830031C0	90830038C0			
			40A	90830025C0	90830032C0	90830039C0			
			50A	90830026C0	90830033C0	90830040C0			
			63A	90830027C0	90830034C0	90830041C0			
			80A	90830028C0	90830035C0	90830042C0			

* 1 Width module = 9 mm

Auxiliary switch (AX)



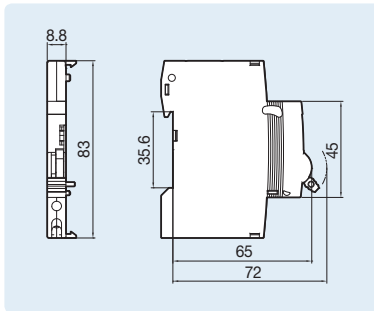
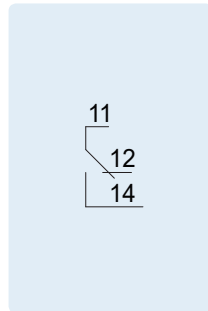
LA-AX/LB-AX/LC-AX

Type		LA-AX	LB-AX	LC-AX
Electrical Feature	Contact function	1CO (Changeover)	1CO (Changeover)	1CO (Changeover)
	Rated operation current(AC12)	3A at 415 VAC 6A at 240 VAC	3A at 415 VAC 6A at 240 VAC	3A at 415 VAC 6A at 240 VAC
	Rated operation current(DC12)	1A at 130 VDC 2A at 48 VDC 6A at 24 VDC	1A at 130 VDC 2A at 48 VDC 6A at 24 VDC	1A at 130 VDC 2A at 48 VDC 6A at 24 VDC
	Standards	IEC/EN 60947-5-1	IEC/EN 60947-5-1	IEC/EN 60947-5-1
Installation	Terminal type	Lug type	Lug type	Lug type
	Terminal capacity	up to 2.5mm ²	up to 2.5mm ²	up to 2.5mm ²
	Width	9 mm	9 mm	9 mm

Circuit diagram

Dimension

Order number



Product	Order number	Weight (g)	Packing (pcs.)
LA-AX	90810001C0	32	15
LB-AX	90810011C0		
LC-AX	90810006C0		

Alarm switch (AL)



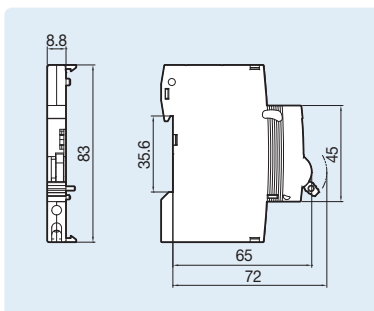
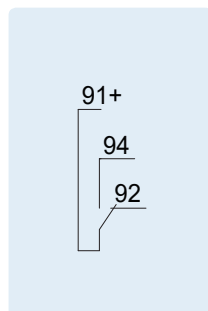
LA-AL/LB-AL/LC-AL

Type		LA-AL	LB-AL	LC-AL
Electrical Feature	Contact function	1CO (Changeover)	1CO (Changeover)	1CO (Changeover)
	Rated operation current(AC12)	3A at 415 VAC 6A at 240 VAC	3A at 415 VAC 6A at 240 VAC	3A at 415 VAC 6A at 240 VAC
	Rated operation current(DC12)	1A at 130 VDC 2A at 48 VDC 6A at 24 VDC	1A at 130 VDC 2A at 48 VDC 6A at 24 VDC	1A at 130 VDC 2A at 48 VDC 6A at 24 VDC
	Standards	IEC/EN 60947-5-1	IEC/EN 60947-5-1	IEC/EN 60947-5-1
Installation	Terminal type	Lug type	Lug type	Lug type
	Terminal capacity	up to 2.5mm ²	up to 2.5mm ²	up to 2.5mm ²
	Width	9mm	9mm	9mm

Circuit diagram

Dimension

Order number



Product	Order number	Weight (g)	Packing (pcs.)
LA-AL	90810002C0	32	15
LB-AL	90810012C0		
LC-AL	90810007C0		

Accessories

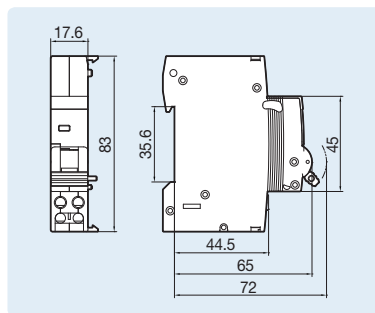
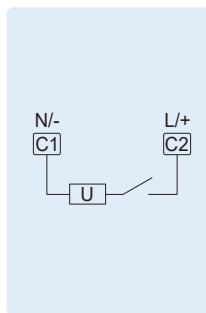
Shunt trip (SHT)



LA-SHT/LB-SHT/LC-SHT

Type		LA-SHT		LB-SHT		LC-SHT	
Electrical Feature	Rated voltage (AC)	110~415 VAC	24 VAC	110~415 VAC	24 VAC	110~415 VAC	24 VAC
	Rated voltage (DC)	110~130 VDC	24 VDC	110~130 VDC	24 VDC	110~130 VDC	24 VDC
	Operation Voltage Range	70~110%*Ue		70~110%*Ue		70~110%*Ue	
	Standards	IEC/EN 60947-2		IEC/EN 60947-2		IEC/EN 60947-2	
Installation	Terminal type	Lug type		Lug type		Lug type	
	Terminal capacity	up to 2.5mm ²		up to 2.5mm ²		up to 2.5mm ²	
	Width	18mm		18mm		18mm	

Circuit diagram Dimension



Order number

Product	Order number	Weight (g)	Packing (pcs.)
LA-SHT AC/DC24V	90810003C0	60	10
LA-SHT AC110V~415V	90810004C0		
LB-SHT AC/DC24V	90810013C0		
LB-SHT AC110V~415V	90810014C0		
LC-SHT AC/DC24V	90810008C0		
LC-SHT AC110V~415V	90810009C0		

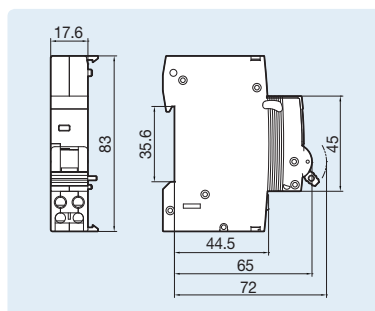
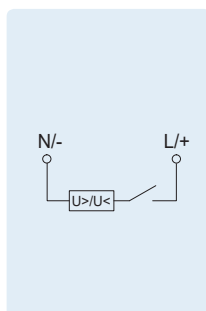
Under voltage trip/Over voltage trip (U/OVT)

LA-U/OVT LB-U/OVT LC-U/OVT



Type		LA-U/OVT	LB-U/OVT	LC-U/OVT
Electrical Feature	Rated voltage (AC)	230 VAC	230 VAC	230 VAC
	Over voltage tripping range	AC280V ± 5%	AC280V ± 5%	AC280V ± 5%
	Under voltage tripping range	AC170V ± 5%	AC170V ± 5%	AC170V ± 5%
	Standards	IEC/EN 60947-2	IEC/EN 60947-2	IEC/EN 60947-2
Installation	Terminal type	Lug type	Lug type	Lug type
	Terminal capacity	up to 2.5mm ²	up to 2.5mm ²	up to 2.5mm ²
	Width	18mm	18mm	18mm

Circuit diagram Dimension



Order number

Product	Order number	Weight (g)	Packing (pcs.)
LA-U/OVT Un=230VAC	90810005C0	66	10
LB-U/OVT Un=230VAC	90810015C0		
LC-U/OVT Un=230VAC	90810010C0		

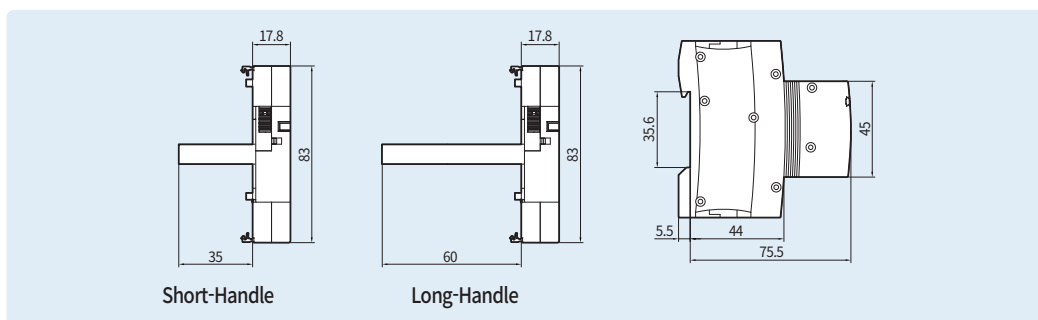
Motor Operator



LA-MOP

Type	LA-MOP
Rated Operation Voltage(Un)	AC/DC 110~230V, DC12V, DC24V
Position of Installation	Right side of the MCB
IP Degree	IP20
Closing time	≤ 1s
Opening time	≤ 1s
Durability(electrical or mechanical)	20,000
Installation	Mounting on 35mm DIN rail
Compatibility product	Use MCB Pole : 2, 3, 4 Pole LA63E, LA63N, LA63H, LA63L, LA63HDC, LA100H, LA63Nd, LA63Hd

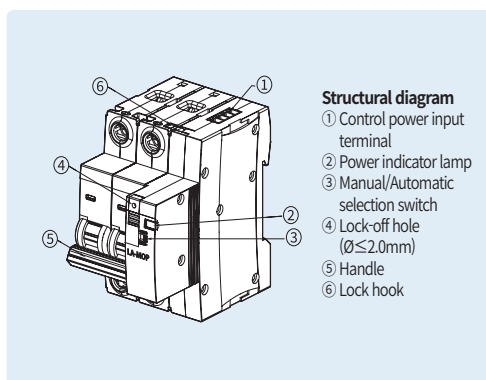
Dimension



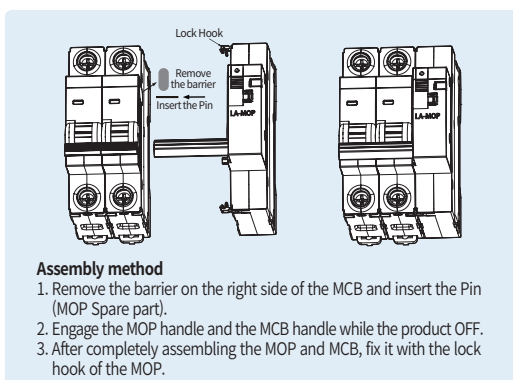
Order number

Product	Order number	Weight (g)	Packing (pcs.)
LA-MOP Short-Handle AC/DC 110V~230V	90810047C0	126	1
LA-MOP Short-Handle DC 12V	90810049C0	126	1
LA-MOP Short-Handle DC 24V	90810050C0	126	1
LA-MOP Long-Handle AC/DC 110V~230V	90810076C0	131	1
LA-MOP Long-Handle DC 12V	90810077C0	131	1
LA-MOP Long-Handle DC 24V	90810078C0	131	1

Structure & Wiring diagram



Assembly method



Model	Assemble MCB/Accessory
LA-MOP short-Handle	MCB 2P, MCB 2P+Accessory, MCB 3P
LA-MOP long-Handle	MCB 3P+Accessory, MCB 4P, MCB 4P+Accessory

* Accessory: AX, AL, SHT, U/OVT

Accessories

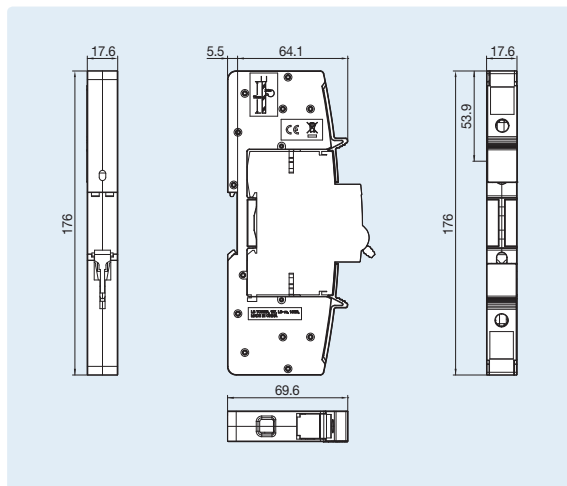
Plug-in Base



LA-PB

Type	LA-PB
Suitability	≤ 63A (63A Max)
Pole	1P
Connection	Tunnel terminals for cable up to 35mm ² (rigid), 25mm ² (flexible)
Standards	A base to be fastened on a rail (or panel) 2 blades to be fastened in the device's terminal
Compatibility product	L-Series MCB : 63A Max LA63N, LA63H, LA63L LA63Nd, LA63Hd

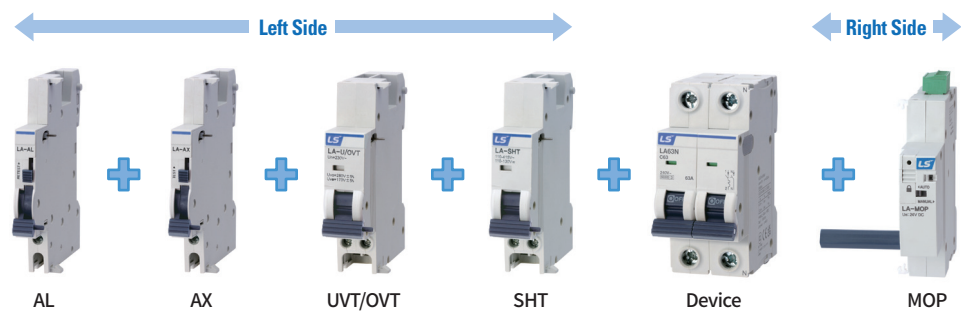
Dimension



Order number

Product	Order number	Weight (g)	Packing (pcs.)
LA-PB	90810075C0	485	4

Accessories assembly method

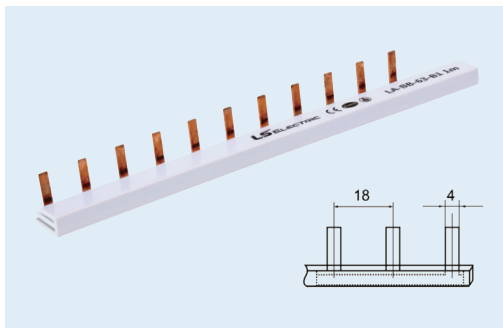


Left Side		Device	Right side
② AX, AL	① SHT, U/OVT		MOP
Max 2(2AX, AX+AL, 2AL)	Max 2	MCB LA□□	1
Just 1 accessory assemble		RCBO LB□□	-
		RCCB LC□□	-

※ When ① SHT, U/OVT and ② AX, AL are mixed use, SHT, UVT/OVT should be assembled on MCB first, and then AX, AL should be assembled
 ※ Only 2P~4P of LA63E/LA63N/LA63H/LA63L/LA63HDC/LA100H/LA63Nd/LA63Hd can be assembled MOP.

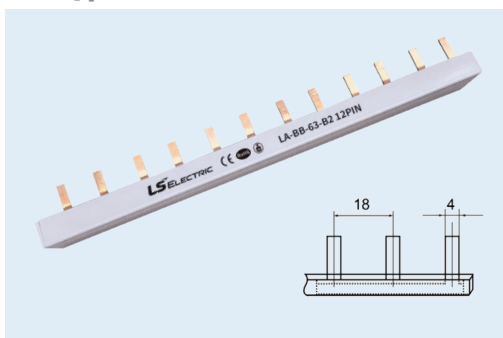
Busbar System

Pin type (for 1m length)



Phase	Product	Current	Length	Cross Section	Order number
1 Phase	LA-BB-63-B1 1m	63A	1m	10mm ²	90810016C0
2 Phase	LA-BB-63-B2 1m				90810017C0
3 Phase	LA-BB-63-B3 1m				90810018C0
4 Phase	LA-BB-63-B4 1m				90810019C0
1 Phase	LA-BB-100-B1 1m	100A	1m	22mm ²	90810020C0
2 Phase	LA-BB-100-B2 1m				90810021C0
3 Phase	LA-BB-100-B3 1m				90810022C0
4 Phase	LA-BB-100-B4 1m				90810023C0

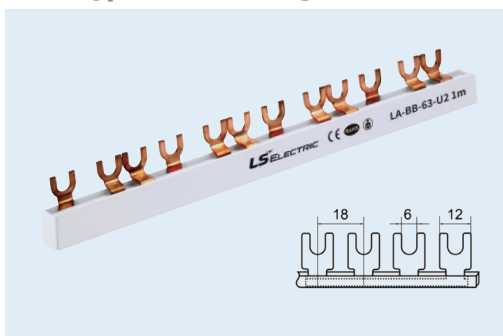
Pin type (for 12 PIN)



Phase	Product	Current	Length	Cross Section	Order number
1 Phase	LA-BB-63-B1 12PIN	63A	22cm (12 PIN)	10mm ²	90810051C0
2 Phase	LA-BB-63-B2 12PIN				90810052C0
3 Phase	LA-BB-63-B3 12PIN				90810053C0
4 Phase	LA-BB-63-B4 12PIN				90810054C0
1 Phase	LA-BB-100-B1 12PIN	100A	22cm (12 PIN)	22mm ²	90810055C0
2 Phase	LA-BB-100-B2 12PIN				90810056C0
3 Phase	LA-BB-100-B3 12PIN				90810057C0
4 Phase	LA-BB-100-B4 12PIN				90810058C0

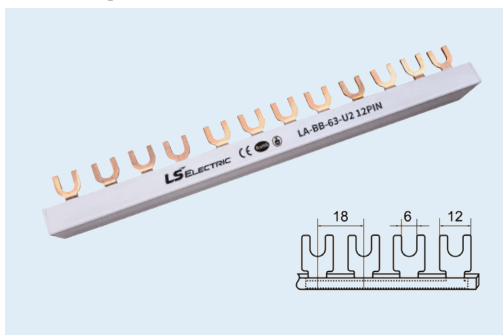
※ Pin type(for 12 PIN) includes End Cap on both sides

Pork type (for 1m length)



Phase	Product	Current	Length	Cross Section	Order number
1 Phase	LA-BB-63-U1 1m	63A	1m	10mm ²	90810024C0
2 Phase	LA-BB-63-U2 1m				90810025C0
3 Phase	LA-BB-63-U3 1m				90810026C0
4 Phase	LA-BB-63-U4 1m				90810027C0
1 Phase	LA-BB-100-U1 1m	100A	1m	22mm ²	90810028C0
2 Phase	LA-BB-100-U2 1m				90810029C0
3 Phase	LA-BB-100-U3 1m				90810030C0
4 Phase	LA-BB-100-U4 1m				90810031C0

Pork type (for 12 PIN)



Phase	Product	Current	Length	Cross Section	Order number
1 Phase	LA-BB-63-U1 12PIN	63A	22cm (12 PIN)	10mm ²	90810059C0
2 Phase	LA-BB-63-U2 12PIN				90810060C0
3 Phase	LA-BB-63-U3 12PIN				90810061C0
4 Phase	LA-BB-63-U4 12PIN				90810062C0
1 Phase	LA-BB-100-U1 12PIN	100A	22cm (12 PIN)	22mm ²	90810063C0
2 Phase	LA-BB-100-U2 12PIN				90810064C0
3 Phase	LA-BB-100-U3 12PIN				90810065C0
4 Phase	LA-BB-100-U4 12PIN				90810066C0

※ Pork type(for 12 PIN) includes End Cap on both sides

Accessories

End Cap



Phase	Product	Current	Order number
1 Phase	LA-BB-63-EC1	63A	90810032C0
2 Phase	LA-BB-63-EC2		90810033C0
3 Phase	LA-BB-63-EC3		90810034C0
4 Phase	LA-BB-63-EC4		90810035C0
1 Phase	LA-BB-100-EC1	100A	90810036C0
2 Phase	LA-BB-100-EC2		90810037C0
3 Phase	LA-BB-100-EC3		90810038C0
4 Phase	LA-BB-100-EC4		90810039C0

Insulation barrier



LA-BARRIER

Product	Order number
LA-BARRIER	90810046C0

Busbar Cap



Product	Order number
LA-BB-63-BC	90810040C0

Handle locking device



LA-HL-P



LA-HL-C



LA-HL-LOCK

Product	Order number
LA-HL-P	90810042C0
LA-HL-C	90810043C0
LA-HL-LOCK	90810045C0

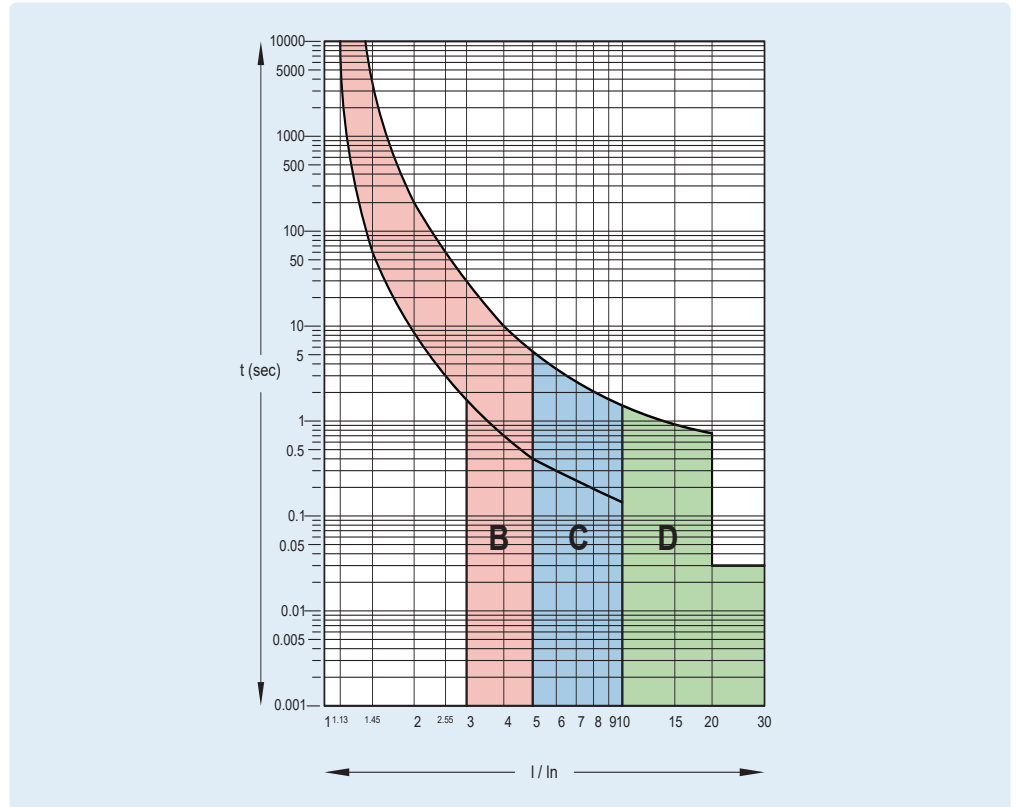
DIN-Rail



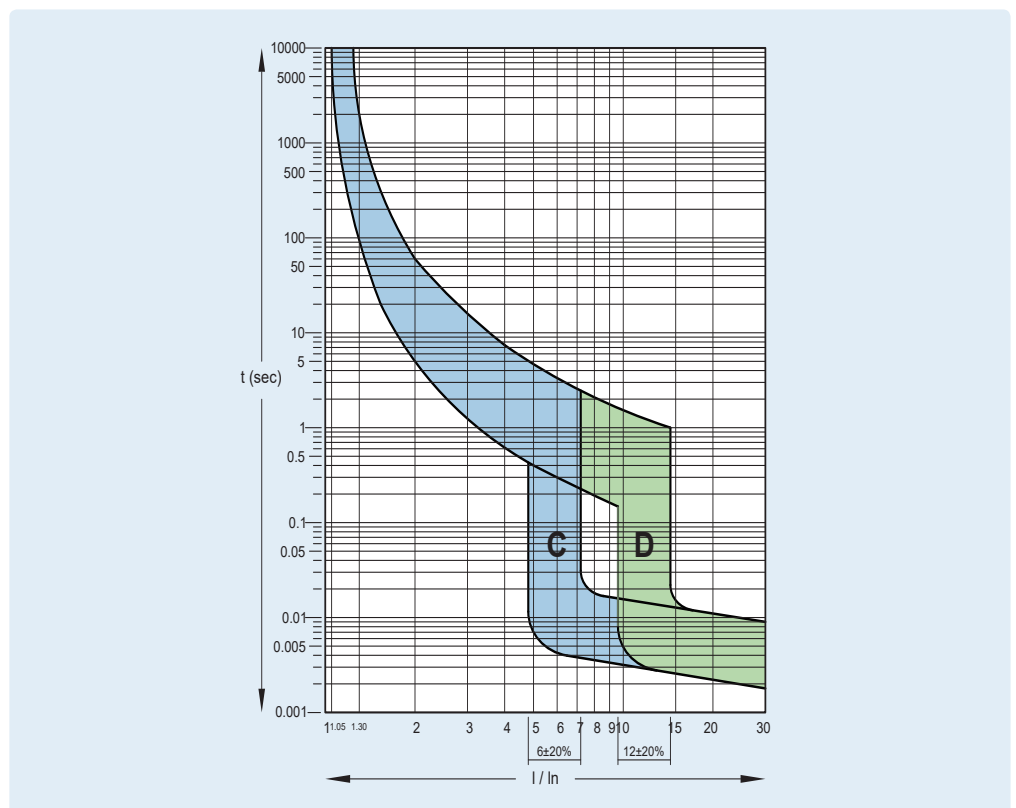
Product	Order number
DIN-RAIL 1m	90810041C0

Characteristics curve

MCB
(IEC/EN 60898-1
GB/T 10963.1)



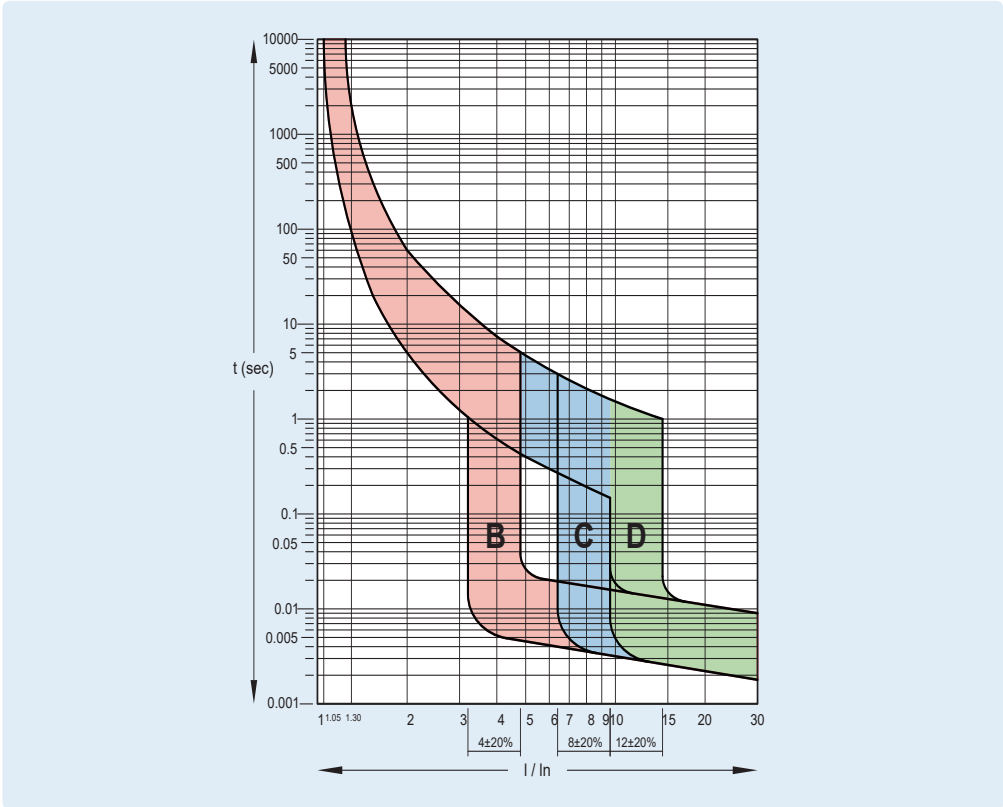
DC MCB
(IEC/EN 60947-2
GB/T 14048.2)
LA63HD



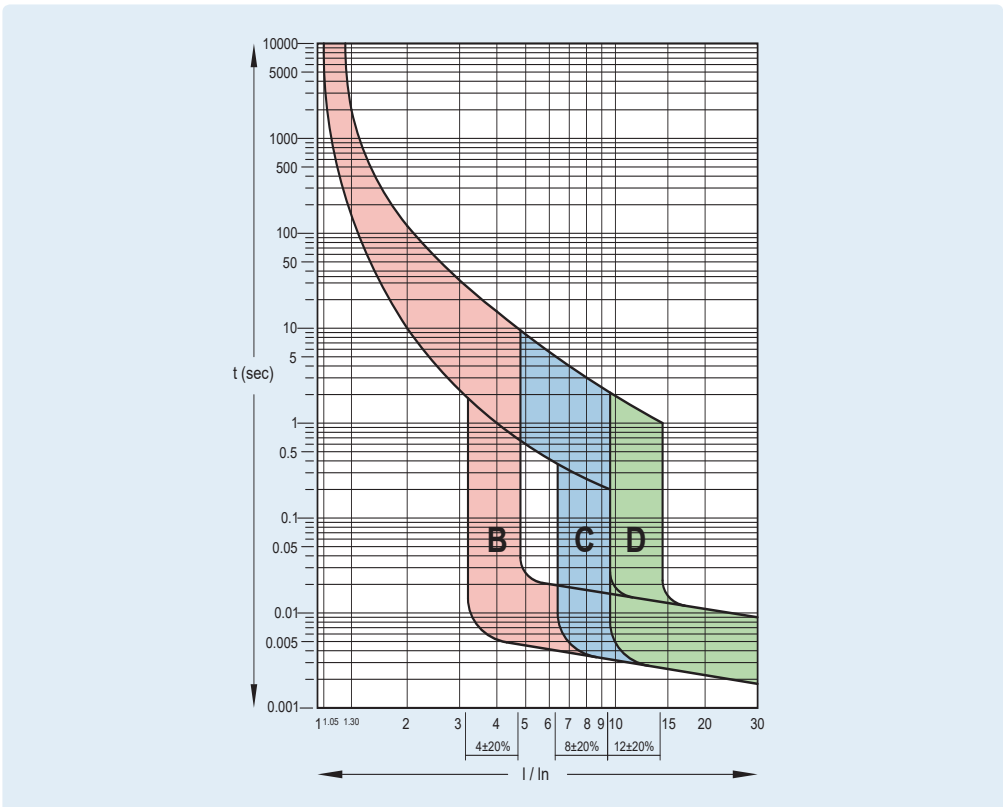
Technical data

Characteristics curve

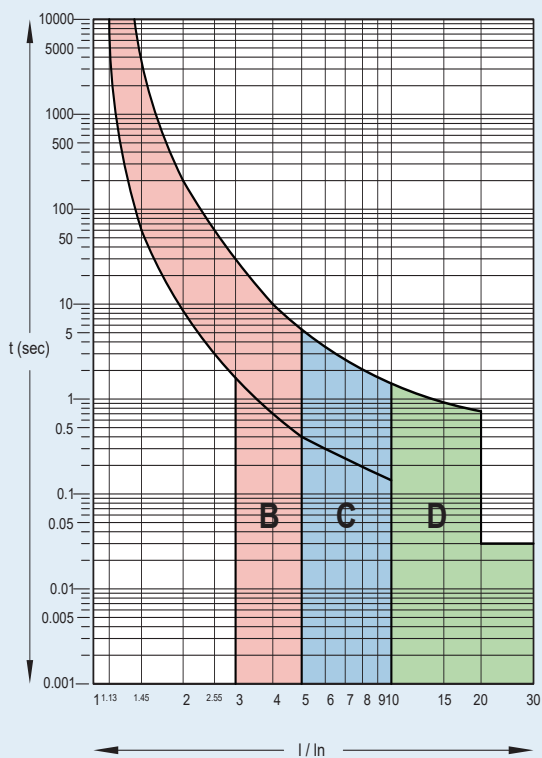
MCB(63AF)
(IEC/EN 60947-2
GB/T 14048.2)
LA63N
LA63H
LA63L
LA63HP



MCB(100/125AF)
(IEC/EN 60947-2
GB/T 14048.2)
LA100H
LA125H



RCBO
 (IEC/EN 61009-1
 GB/T 16917.1)



Technical data

Temperature Derating

LA40E, LA40N (IEC60898-1)

Rated current (A)	-30°C	-25°C	-20°C	-15°C	-10°C	-5°C	0°C	5°C	10°C	15°C	20°C	25°C	30°C	35°C	40°C	45°C	50°C	55°C	60°C	65°C	70°C
1	1.22	1.20	1.18	1.16	1.15	1.13	1.11	1.09	1.08	1.06	1.04	1.02	1.00	0.98	0.96	0.94	0.92	0.90	0.88	0.86	0.84
2	2.59	2.54	2.49	2.45	2.40	2.36	2.31	2.26	2.21	2.16	2.11	2.05	2.00	1.94	1.89	1.83	1.76	1.70	1.63	1.57	1.51
3	3.57	3.52	3.47	3.43	3.38	3.34	3.29	3.24	3.20	3.15	3.10	3.05	3.00	2.95	2.90	2.84	2.79	2.73	2.68	2.63	2.58
4	4.82	4.75	4.68	4.62	4.55	4.49	4.42	4.35	4.29	4.22	4.15	4.07	4.00	3.93	3.85	3.77	3.69	3.61	3.53	3.45	3.37
6	7.88	7.73	7.59	7.45	7.30	7.15	7.00	6.84	6.68	6.52	6.35	6.18	6.00	5.82	5.63	5.43	5.23	5.02	4.80	4.59	4.38
10	12.23	12.05	11.88	11.71	11.53	11.35	11.17	10.98	10.79	10.60	10.40	10.20	10.00	9.79	9.58	9.36	9.14	8.91	8.68	8.46	8.24
13	16.12	15.86	15.60	15.34	15.08	14.82	14.56	14.26	13.98	13.74	13.49	13.24	13.00	12.62	12.33	11.93	11.65	11.14	10.75	10.36	9.97
16	20.20	19.87	19.55	19.23	18.89	18.56	18.21	17.86	17.51	17.14	16.77	16.39	16.00	15.60	15.19	14.77	14.34	13.89	13.43	12.99	12.55
20	24.34	24.00	23.67	23.33	22.98	22.63	22.27	21.91	21.54	21.17	20.79	20.41	20.00	19.58	19.11	18.68	18.12	17.58	17.20	16.72	16.23
25	30.43	30.00	29.58	29.16	28.73	28.29	27.84	27.39	26.93	26.46	26.00	25.50	25.00	24.49	23.96	23.42	22.87	22.31	21.73	21.17	20.61
32	39.05	38.49	37.95	37.39	36.83	36.26	35.69	35.10	34.18	33.15	33.11	32.56	32.00	31.34	30.65	29.89	29.19	28.67	27.73	27.00	26.28
40	49.89	49.11	48.35	47.57	46.78	46.00	45.16	44.33	43.48	42.61	41.80	40.91	40.00	39.05	38.09	37.09	36.07	35.02	33.94	32.90	31.85

LA63E/LA63N/LA63H/LA63L (IEC60898-1), LA63HDC (IEC60947-2)

Rated current (A)	-30°C	-25°C	-20°C	-15°C	-10°C	-5°C	0°C	5°C	10°C	15°C	20°C	25°C	30°C	35°C	40°C	45°C	50°C	55°C	60°C	65°C	70°C
1	1.21	1.20	1.18	1.16	1.15	1.13	1.11	1.09	1.08	1.06	1.04	1.02	1.00	0.98	0.96	0.94	0.92	0.90	0.88	0.85	0.83
2	2.38	2.35	2.32	2.29	2.26	2.23	2.20	2.17	2.13	2.10	2.07	2.03	2.00	1.96	1.93	1.89	1.86	1.82	1.78	1.74	1.70
3	3.56	3.52	3.47	3.43	3.38	3.34	3.29	3.24	3.20	3.15	3.10	3.05	3.00	2.95	2.90	2.84	2.79	2.73	2.68	2.62	2.56
4	4.81	4.75	4.68	4.62	4.55	4.49	4.42	4.35	4.29	4.22	4.15	4.07	4.00	3.93	3.85	3.77	3.69	3.61	3.53	3.44	3.36
6	7.72	7.59	7.46	7.32	7.19	7.08	6.94	6.79	6.65	6.49	6.33	6.16	6.00	5.80	5.61	5.48	5.29	5.10	4.92	4.71	4.50
10	11.89	11.75	11.60	11.45	11.30	11.15	10.99	10.85	10.68	10.52	10.35	10.18	10.00	9.82	9.64	9.46	9.24	9.06	9.00	8.81	8.60
13	16.12	15.86	15.60	15.34	15.08	14.82	14.56	14.26	13.98	13.74	13.49	13.24	13.00	12.76	12.53	12.22	11.96	11.70	11.44	11.18	10.92
16	19.57	19.30	19.02	18.74	18.46	18.26	17.98	17.68	17.33	17.12	16.58	16.33	16.00	15.68	15.26	14.91	14.52	14.16	13.68	13.42	13.02
20	24.42	24.09	23.75	23.40	23.05	22.79	22.43	22.03	21.68	21.26	20.86	20.43	20.00	19.58	19.11	18.68	18.12	17.58	17.20	16.82	16.35
25	29.75	29.35	29.02	28.62	28.24	27.95	27.58	27.19	26.82	26.31	25.95	25.46	25.00	24.56	24.08	23.54	23.18	22.66	22.26	21.77	21.26
32	39.50	38.96	38.47	37.83	37.24	36.68	36.02	35.42	34.78	34.15	33.45	32.73	32.00	31.28	30.55	29.81	28.98	28.12	27.27	26.63	25.74
40	48.45	47.82	47.23	46.50	45.83	45.22	44.56	43.78	43.05	42.33	41.56	40.77	40.00	39.19	38.35	37.46	36.66	35.74	34.82	34.02	33.10
50	60.06	59.29	58.51	57.71	57.01	56.18	55.38	54.59	53.65	52.86	51.83	50.92	50.00	49.01	48.05	46.95	45.93	45.03	44.02	43.01	41.92
63	76.25	75.30	74.22	73.21	72.09	71.15	70.05	68.91	67.81	66.62	65.33	64.18	63.00	61.80	60.52	59.12	58.02	56.42	55.22	54.23	52.88

LA63N/LA63H/LA63L/LA63HP (IEC60947-2)

Rated current (A)	-30°C	-25°C	-20°C	-15°C	-10°C	-5°C	0°C	5°C	10°C	15°C	20°C	25°C	30°C	35°C	40°C	45°C	50°C	55°C	60°C	65°C	70°C
1	1.27	1.25	1.23	1.21	1.20	1.18	1.16	1.15	1.13	1.11	1.09	1.08	1.06	1.04	1.02	1.00	0.98	0.96	0.94	0.92	0.90
2	2.47	2.44	2.41	2.38	2.35	2.32	2.29	2.26	2.23	2.20	2.17	2.13	2.10	2.07	2.03	2.00	1.96	1.93	1.89	1.86	1.82
3	3.71	3.66	3.61	3.56	3.52	3.47	3.43	3.38	3.34	3.29	3.24	3.20	3.15	3.10	3.05	3.00	2.95	2.90	2.84	2.79	2.73
4	5.02	4.95	4.88	4.81	4.75	4.68	4.62	4.55	4.49	4.42	4.35	4.29	4.22	4.15	4.07	4.00	3.93	3.85	3.77	3.69	3.61
6	8.11	7.98	7.85	7.72	7.59	7.46	7.32	7.19	7.08	6.94	6.79	6.65	6.49	6.33	6.16	6.00	5.80	5.61	5.48	5.29	5.10
10	12.34	12.19	12.04	11.89	11.75	11.60	11.45	11.30	11.15	10.99	10.85	10.68	10.52	10.35	10.18	10.00	9.82	9.64	9.46	9.24	9.06
13	16.90	16.64	16.38	16.12	15.86	15.60	15.34	15.08	14.82	14.56	14.26	13.98	13.74	13.49	13.24	13.00	12.76	12.53	12.22	11.96	11.70
16	20.41	20.13	19.85	19.57	19.30	19.02	18.74	18.46	18.26	17.98	17.68	17.33	17.12	16.58	16.33	16.00	15.68	15.26	14.91	14.52	14.16
20	25.44	25.10	24.76	24.42	24.09	23.75	23.40	23.05	22.79	22.43	22.03	21.68	21.26	20.86	20.43	20.00	19.58	19.11	18.68	18.12	17.58
25	30.88	30.51	30.13	29.75	29.35	29.02	28.62	28.24	27.95	27.58	27.19	26.82	26.31	25.95	25.46	25.00	24.56	24.08	23.54	23.18	22.66
32	41.17	40.63	40.07	39.50	38.96	38.47	37.83	37.24	36.68	36.02	35.42	34.78	34.15	33.45	32.73	32.00	31.28	30.55	29.81	28.98	28.12
40	50.39	49.76	49.11	48.45	47.82	47.23	46.50	45.83	45.22	44.56	43.78	43.05	42.33	41.56	40.77	40.00	39.19	38.35	37.46	36.66	35.74
50	62.37	61.60	60.82	60.06	59.29	58.51	57.71	57.01	56.18	55.38	54.59	53.65	52.86	51.83	50.92	50.00	49.01	48.05	46.95	45.93	45.03
63	79.33	78.31	77.29	76.25	75.30	74.22	73.21	72.09	71.15	70.05	68.91	67.81	66.62	65.33	64.18	63.00	61.80	60.52	59.12	58.02	56.42

LA100H (IEC60947-2)

Rated current (A)	-30°C	-25°C	-20°C	-15°C	-10°C	-5°C	0°C	5°C	10°C	15°C	20°C	25°C	30°C	35°C	40°C	45°C	50°C	55°C	60°C	65°C	70°C
63	78.60	77.41	76.22	75.00	73.77	72.49	71.21	69.92	68.60	67.22	65.83	64.40	63.00	61.52	60.00	58.44	56.84	55.19	53.49	51.94	49.92
80	98.37	96.98	95.52	94.10	92.62	91.10	89.61	88.10	86.50	84.92	83.31	81.60	80.00	78.27	76.50	74.69	72.84	70.93	68.95	66.96	64.89
100	124.42	122.58	120.70	118.79	116.82	114.87	112.82	110.81	108.72	106.62	104.41	102.20	100.00	97.69	95.32	92.89	90.39	87.82	85.18	82.45	79.63

LA125H (IEC60947-2)

Rated current (A)	-30°C	-25°C	-20°C	-15°C	-10°C	-5°C	0°C	5°C	10°C	15°C	20°C	25°C	30°C	35°C	40°C	45°C	50°C	55°C	60°C	65°C	70°C
10	11.88	11.74	11.59	11.44	11.29	11.13	10.99	10.83	10.67	10.51	10.34	10.17	10.00	9.82	9.64	9.46	9.26	9.07	8.88	8.65	8.46
13	16.12	15.86	15.60	15.34	15.08	14.82	14.56	14.26	13.98	13.74	13.49	13.24	13.00	12.76	12.53	12.22	11.96	11.70	11.44	11.18	10.92
16	19.57	19.30	19.02	18.74	18.46	18.17	17.88	17.58	17.27	16.96	16.65	16.33	16.00	15.67	15.30	14.95	14.58	14.21	13.83	13.43	13.04
20	24.42	24.09	23.75	23.40	23.05	22.69	22.33	21.96	21.58	21.20	20.81	20.41	20.00	19.57	19.12	18.70	18.24	17.80	17.33	16.83	16.35
25	29.71	29.35	29.00	28.62	28.24	27.86	27.47	27.07	26.67	26.26	25.85	25.43	25.00	24.56	24.08	23.63	23.18	22.70	22.22	21.74	21.23
32	39.48	38.90	38.30	37.73	37.15	36.52	35.95	35.32	34.68	34.03	33.37	32.69	32.00	31.28	30.55	29.81	29.02	28.23	27.46	26.61	25.69
40	48.42	47.80	47.12	46.48	45.80	45.10	44.40	43.72	43.00	42.24	41.50	40.77	40.00	39.19	38.38	37.52	36.70	35.82	34.98	34.08	33.13
50	60.00	59.26	58.49	57.70	56.90	56.06	55.22	54.40	53.57	52.70	51.80	50.90	50.00	49.01	48.07	47.10	46.12	45.11	44.10	43.01	41.90
63	76.20	75.20	74.20	73.10	72.07	71.00	69.90	68.80	67.70	66.52	65.23	64.10	63.00	61.80	60.60	59.38	58.14	56.87	55.58	54.20	52.85
80	98.40	97.00	95.59	94.15	92.68	91.20	89.70	88.15	86.57	84.95	83.35	81.69	80.00	78.27	76.50	74.69	72.84	70.93	68.95	66.96	64.89
100	124.46	122.61	120.73	118.82	116.87	114.90	112.89	110.85	108.77	106.64	104.47	102.26	100.00	97.69	95.32	92.89	90.39	87.82	85.18	82.45	79.63
125	157.02	154.61	152.16	149.66	147.13	144.55	141.92	139.24	136.51	133.73	130.88	127.98	125.00	121.95	118.72	115.24	112.03	108.75	105.00	101.21	97.85

RCBO (IEC61009-1)

Rated current (A)	-25°C	-20°C	-15°C	-10°C	-5°C	0°C	5°C	10°C	15°C	20°C	25°C	30°C	35°C	40°C	45°C	50°C	55°C	60°C
6	7.59	7.46	7.32	7.19	7.08	6.94	6.79	6.65	6.49	6.33	6.16	6.00	5.80	5.61	5.48	5.29	5.10	4.92
10	11.75	11.60	11.45	11.30	11.15	10.99	10.85	10.68	10.52	10.35	10.18	10.00	9.82	9.64	9.46	9.24	9.06	9.00
13	15.86	15.60	15.34	15.08	14.82	14.56	14.26	13.98	13.74	13.49	13.24	13.00	12.76	12.53	12.22	11.96	11.70	11.44
16	19.15	18.89	18.62	18.35	18.07	17.79	17.50	17.21	16.90	16.58	16.31	16.00	15.68	15.36	15.03	14.69	14.34	13.98
20	24.09	23.75	23.40	23.05	22.79	22.43	22.03	21.68	21.26	20.86	20.43	20.00	19.58	19.14	18.70	18.29	17.82	17.39
25	29.35	29.02	28.62	28.24	27.95	27.58	27.19	26.82	26.31	25.95	25.46	25.00	24.49	23.98	23.45	22.91	22.36	21.79
32	37.69	37.21	36.72	36.23	35.73	35.22	34.70	34.18	33.65	33.11	32.56	32.00	31.43	30.85	20.26	29.66	29.05	28.42
40	47.82	47.23	46.50	45.83	45.22	44.56	43.78	43.05	42.33	41.56	40.77	40.00	39.19	38.35	37.46	36.66	35.74	34.82
50	59.29	58.51	57.71	57.01	56.18	55.38	54.59	53.65	52.86	51.83	50.92	50.00	49.01	48.05	46.95	45.93	45.03	44.02
63	75.30	74.22	73.21	72.09	71.15	70.05	68.91	67.81	66.62	65.33	64.18	63.00	61.80	60.52	59.12	58.02	56.82	55.72

Impact of Altitude

If an MCB is used in an elevated area higher than 2000m sea level, its operating performance is subject to dramatic drop in atmospheric pressure and temperature.

If it is used in areas of high sea level, you can do correction based on the correction parameter table in high altitude environment, as described below.

[Derating parameter table for altitude]

Altitude	2000m	3000m	4000m	5000m	6000m
Rated voltage (Ue)	1×Ue	0.91×Ue	0.82×Ue	0.73×Ue	0.65×Ue
Rated current (In)	1×In	0.98×In	0.96×In	0.94×In	0.92×In

※ Refer to the Derating parameter table in high altitude environment (ANSI C37. 29-1970)



Safety Instructions

- For your safety, please read user's manual thoroughly before operating.
- Contact the nearest authorized service facility for examination, repair, or adjustment.
- Please contact qualified service technician when you need maintenance. Do not disassemble or repair by yourself!
- Any maintenance and inspection shall be performed by the personnel having expertise concerned.



- According to The WEEE Directive, please do not discard the device with your household waste.



www.ls-electric.com

■ **Headquarter**

127 LS-ro (Hogye-dong) Dongan-gu, Anyang-si, Gyeonggi-Do, 14119, Korea

■ **Seoul Office**

LS Yongsan Tower, 92, Hangang-daero, Yongsan-gu, Seoul, 04386, Korea
Tel. 82-2-2034-4916, 4684, 4429

■ **Overseas Subsidiaries**

- **LS ELECTRIC Middle East FZE (Dubai, UAE)**
Tel: 971-4-886-5360 E-Mail: middleeast@ls-electric.com
- **LS ELECTRIC America Inc. (Lincolnshire, Illinois, USA)**
Tel: 1-224-352-2265 E-Mail: sales.us@lselectricamerica.com
- **MCM Engineering II (Enoch, Utah, USA)**
Tel: 1-435-865-0125 E-Mail: sales.us@lselectricamerica.com
- **LS ELECTRIC Energy Solution LLC. (Charlotte, North Carolina, USA)**
Tel: 1-980-221-0654 E-Mail: cmfeldman@ls-es.com
- **LS ELECTRIC Europe B.V. (Hoofddorp, Netherlands)**
Tel: 31-20-654-1424 E-Mail: europartner@ls-electric.com
- **LS ELEKTRİK SANAYİ TİCARET LİMİTED ŞİRKETİ (Istanbul, Türkiye)**
Tel: 90-212-806-1252 E-Mail: turkiye@ls-electric.com
- **LS ELECTRIC IBERIA S.L.U. (Madrid, Spain)**
Tel: 34-910-28-02-74 E-Mail: iberia@ls-electric.com
- **LS ELECTRIC(Dalian) Co., Ltd. (Dalian, China)**
Tel: 86-411-8730-7560 E-Mail: china.dalian@lselectric.com
- **LS ELECTRIC(Wuxi) Co., Ltd. (Wuxi, China)**
Tel: 86-510-8534-6666 E-Mail: china.wuxi@lselectric.com
- **LS ELECTRIC(Lishui) Co., Ltd. (Lishui, China)**
Tel: 86-133-6207-7980 E-Mail: china.lishui@lselectric.com.cn
- **LS ELECTRIC Japan Co., Ltd. (Tokyo, Japan)**
Tel: 81-3-6268-8241 E-Mail: japan@ls-electric.com
- **LS ELECTRIC Vietnam Co., Ltd. (Bac Ninh Province, Vietnam)**
Tel: 84-222-2221-110 E-Mail: vietnam@ls-electric.com
- **PT. LS ELECTRIC INDONESIA (Jakarta Barat, Indonesia)**
Tel: 62-2933-7614 E-Mail: indonesia@ls-electric.com

■ **Overseas Branches**

- **LS ELECTRIC America Western Office (Santa Fe Springs, California, USA)**
Tel: 1-949-333-3140 E-Mail: america@ls-electric.com
- **LS ELECTRIC America Bastrop Campus (Bastrop, TX, USA)**
Tel: 1-224-352-2265 E-Mail: sales.us@lselectricamerica.com
- **LS ELECTRIC Moscow Office (Moscow, Russia)**
Tel: 7-499-682-6130 E-Mail: info@lselectric-ru.com
- **LS ELECTRIC Italy Office (Brescia, Italia)**
Tel: 39-030-8081-833 E-Mail: italia@ls-electric.com
- **LS ELECTRIC Shanghai Office (Shanghai, China)**
Tel: 86-21-5237-9977 E-Mail: china@lselectric.com.cn
- **LS ELECTRIC Beijing Office (Beijing, China)**
Tel: 86-10-5095-1631 E-Mail: china@lselectric.com.cn
- **LS ELECTRIC Guangzhou Office (Guangzhou, China)**
Tel: 86-20-3818-2883 E-Mail: china@lselectric.com.cn
- **LS ELECTRIC Qingdao Office (Qingdao, China)**
Tel: 86-532-8501-2065 E-Mail: china@lselectric.com.cn
- **LS ELECTRIC Chengdu Office (Chengdu, China)**
Tel: 86-28-8670-3201 E-Mail: china@lselectric.com.cn
- **LS ELECTRIC Nanjing Office (Nanjing, China)**
Tel: 86-25-8467-0005 E-Mail: china@lselectric.com.cn
- **LS ELECTRIC Tokyo Office (Tokyo, Japan)**
Tel: 81-3-6268-8241 E-Mail: tokyo@ls-electric.com
- **LS ELECTRIC Bangkok Office (Bangkok, Thailand)**
Tel: 66-2-128-0295 E-Mail: thailand@ls-electric.com
- **LS ELECTRIC Co., Ltd. India Office (Karnataka, India)**
Tel: 91-80-6142-9108 E-Mail: info_india@ls-electric.com
- **LS ELECTRIC Co., Ltd. Singapore Branch (Singapore)**
Tel: 65-6958-8162 E-Mail: singapore@ls-electric.com