

Direct Rotary Handle 100-250AF

PE101867-31



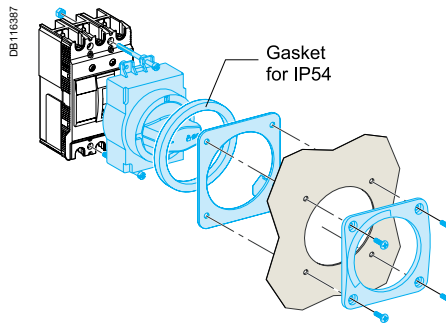
Direct rotary handle (black) for EZC100/125

Direct rotary handle

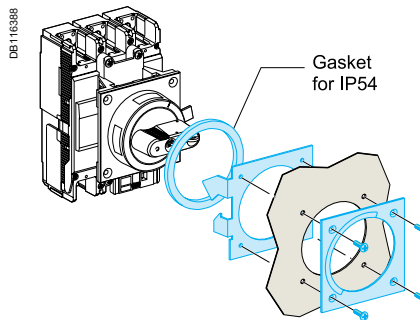
Suitable for Motor Control Centre (MCC) switchboards.

- Degree of protection IP40 or IP54, IK07 (IP54 with gasket supplied).
- The direct rotary handle maintains:
 - suitability for isolation
 - indication of the three positions O (OFF), I (ON) and tripped
 - circuit breaker locking capability in the OFF position by one to three padlocks, (padlock not supplied) shackle diameter Ø 5 for EZC100/125, Ø 8 for EZC250/EZCV250
 - door opening disabled when the circuit breaker is ON
 - circuit breaker closing is disabled if the door is open.

IP40 or IP54



EZC100/125



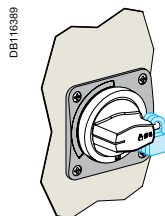
EZC250/EZCV250

PE101881-33

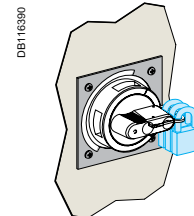


Direct rotary handle (black) for EZC250/EZCV250

Padlocking



EZC100/125

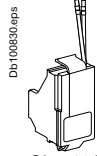


EZC250/EZCV250

Designation	Cat. no.	
Direct rotary handle (black)	EZC100/125	EZC250/EZCV250
	EZAROTDS	EZEROTDS

Electrical auxiliaries (cont.)

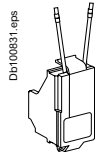
Voltage releases



Db100830.eps

Shunt trip (SHT)

	Voltage	MX/SHT
AC	100-130 V	EZASHT100AC
	200-277 V	EZASHT200AC
	380-480 V	EZASHT380AC
DC	24 V	EZASHT024DC



Db100831.eps

Under voltage release (UVR)

	Voltage	MN/UVR
AC	200-240 V	EZAUVR200AC

Rotary handles

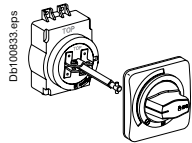
Direct rotary handle (for 3/4P breaker)



Db100832.eps

Direct rotary handle (black)	EZAROTDS
------------------------------	----------

Extended rotary handle (for 3/4P breaker)



Db100833.eps

Extended rotary handle (black)	EZAROTE
--------------------------------	---------

Locks

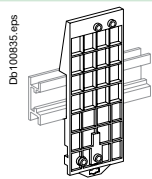
Padlocking system



Db100834.eps

Padlocking system	EZALOCK
-------------------	---------

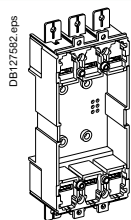
DIN rail adaptor



Db100835.eps

For 2 x 1P or 1 x 2P or 1 x 3P breaker Note: for 4P breaker, use 2 adaptors	EZADINR
--	---------

Plug-in 100/125 A



Db17582.eps

Kit, plug-in base 3P 15 A-50 A	EZAPLUG3L
Kit, plug-in base 3P 60 A-100 A	EZAPLUG3H
Fishbone connectors set of 3	EZAFSHB3