

05 BAS Series Dirty Water Pumps

BAS DIRTY WATER PUMPS



- Liquid temperature : 0~40°C / 32~104°F
- HP range : 1/6~3/4HP / 100~550W
- PH : 6~8
- Rated Speed : 2900 / 3450 rpm
- Protection class : IP68
- Maximum depth : 8M

Features

- 1 · Power cable export insulation, no leaking issue.
- 2 · Suspended impeller design.
- 3 · One Piece Stainless Steel Motor Casing, it can endure corrosion & long service life.

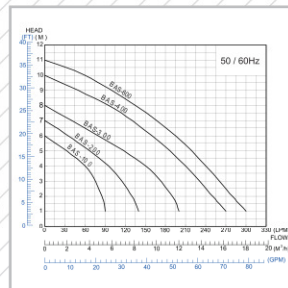
Applications

- 1 · Small sewage and wastewater discharge
- 2 · Basement sewage system
- 3 · Sump pit, wastewater drainage

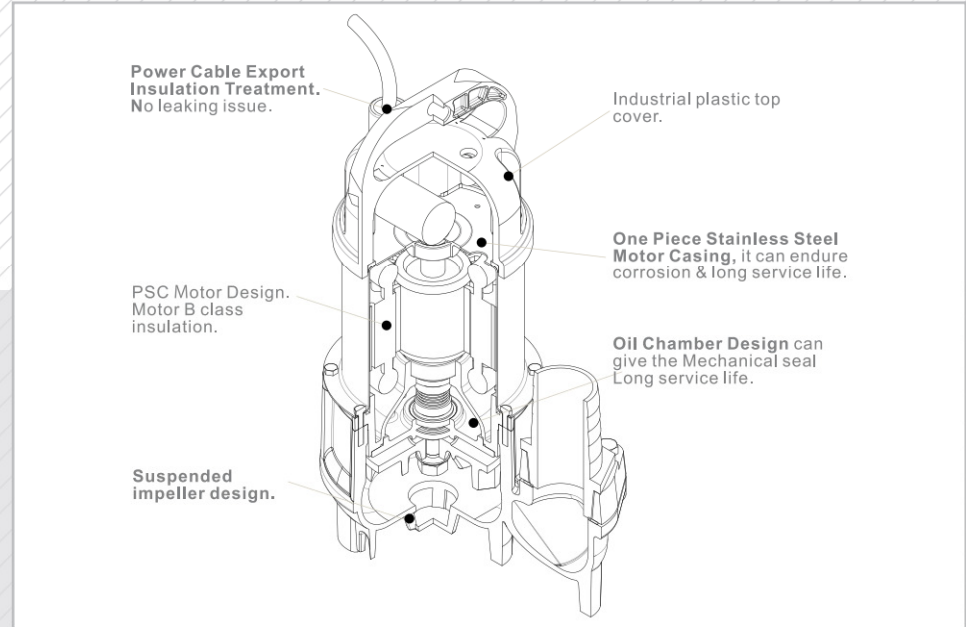
Specification

Model No.	Output HP	Outlet W mm	Outlet inch	Pass solid (mm)	Max Flow(LPM)	LPM Flow @ Head				Max Head(M)	Dimension L x W x H(mm)	Weight Kg
						2M	4M	6M	8M			
BAS-100	1/6	100	25 1"	7	90	85	60	-	-	6	190 x 130 x 280	5
BAS-200	1/5	150	32 1-1/4"	7	140	130	95	35	-	7	190 x 130 x 280	6
BAS-300	1/3	250	40 1-1/2"	9	200	190	150	80	-	8	200 x 135 x 285	6.5
BAS-400	1/2	400	50 2"	12	270	250	210	160	95	10	236 x 145 x 352	10
BAS-600	3/4	550	50 2"	15	300	280	240	195	135	11	276 x 165 x 425	12

Curve



Sectional View



Standard Accessories

Model No.	Accessories
BAS-100	Hose connection
BAS-200	Hose connection
BAS-300	Hose connection
BAS-400	Flange · Hose connection
BAS-600	Flange · Hose connection



Dimension

Model	Dimension									
	L	W	W1	W2	H	H1	H2	H3	H4	G
BAS-100	179	130	-	48	290	150	81	-	71	1
BAS-200	179	130	-	48	290	150	81	-	71	1.25
BAS-300	197	135	-	57	295	168	88	-	80	1.5
BAS-400	224	146	83	108	337	200	109	75	100	2

