

23 JK Series Sewage Pumps

JK SEWAGE PUMPS



- Liquid temperature : 0~40°C / 32~104°F
- HP range : 1/2~7.5HP / 0.4~5.5KW
- PH : 6~8
- Rated Speed : 2900 / 3450 rpm
- Protection class : IP68
- Maximum depth : 8M

Features

1. Non-clogging vortex impeller design.
2. Suspended impeller and high efficacy flow channel design, no blocking. The pass solid is 50mm.

Applications

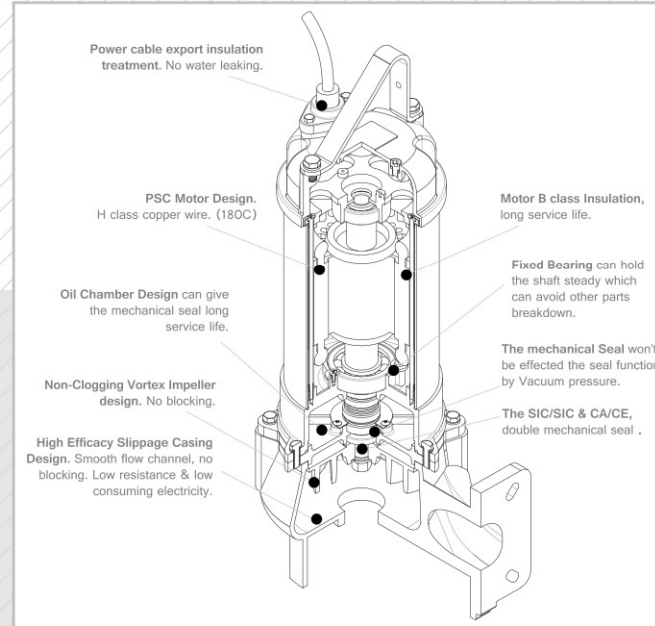
1. Industrial sewage discharge

Specification

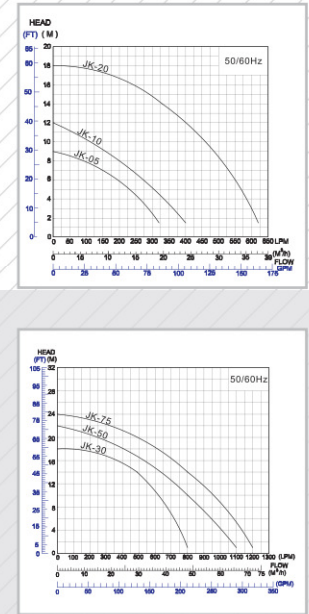
Model No.	Output HP	Output KW	Outlet mm	Outlet inch	Pass Solid Dia(mm)	Max Flow(LPM)	LPM Flow @ Head					Max Head(M)	Dimension L x W x H(mm)	Weight Kg
							3M	6M	9M	12M	15M			
JK-05	1/2	0.4	50	2"	30	320	285	190	-	-	9	223 x 132 x 395	14	
JK-10	1	0.75	50	2"	30	400	360	270	160	-	12	223 x 132 x 425	21	
JK-20	2	1.5	80	3"	35	620	600	550	490	410	18	390 x 210 x 530	32	

Model No.	Output HP	Output KW	Outlet mm	Outlet inch	Pass Solid Dia(mm)	Max Flow(LPM)	LPM Flow @ Head					Max Head(M)	Dimension L x W x H(mm)	Weight Kg
							3M	5M	10M	15M	20M			
JK-30	3	2.2	80	3"	35	780	755	720	610	420	-	18	390 x 210 x 550	34
JK-50	5	3.7	100	4"	45	1100	1050	980	800	590	250	22	525 x 250 x 635	45
JK-75	7.5	5.5	100	4"	50	1200	1170	1120	960	770	490	24	525 x 250 x 675	54

Sectional View



Curve



Standard Accessories

Model No.	Accessories	Pedestal Type
JK-05	Flange, Hose connection	N/A
JK-10	Elbow, Flange	TOS-S2
JK-20	Elbow, Flange	TOS-S3
JK-30	Elbow, Flange	TOS-L3
JK-50	Elbow, Flange	TOS-L4
JK-75	Elbow, Flange	TOS-L4



Dimension

Model	Dimension											
	L	L1	L2	W	W1	H	H1	H2	H3	H4	PCD	G
JK-10	320	187	103	162	145	460	380	120	160	185	117	2
JK-20	387	255	103	210	145	560	485	122	160	185	117	3
JK-30	387	255	103	210	145	580	505	122	160	185	117	3
JK-50	475	288	183	216	240	630	535	160	210	240	155	4
JK-75	475	288	183	216	240	660	565	160	210	240	155	4

