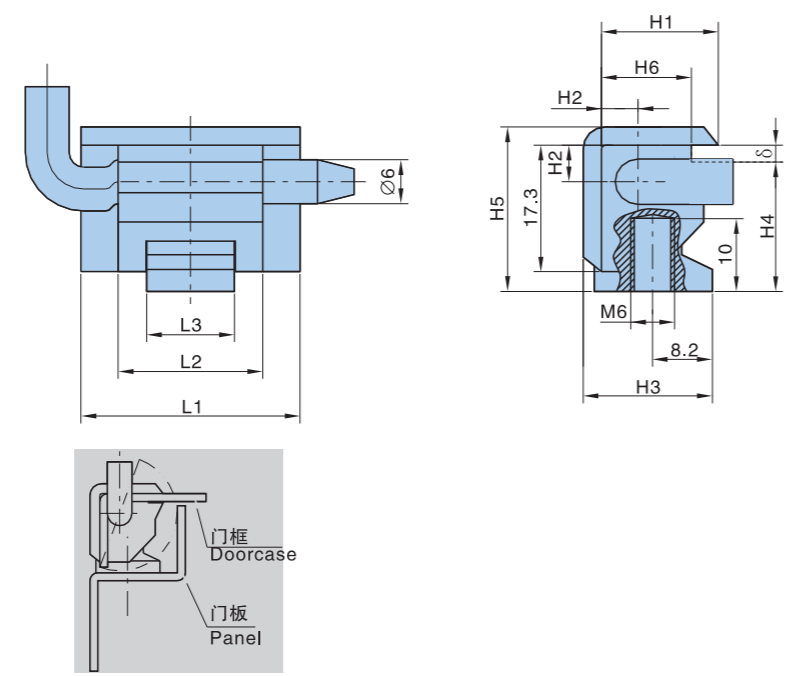




HL003

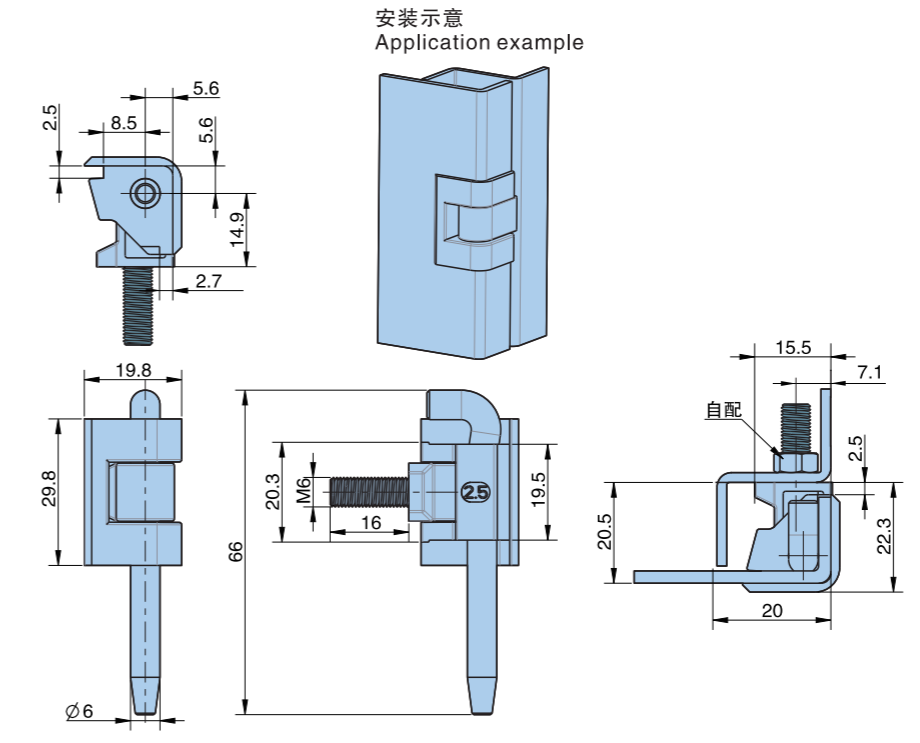
侧边安装外露式铰链 Side prominent Hinge



- 材质: 锌合金动、静铰链, 分不锈钢和镀镍钢销子
- 表面处理: 镀亮铬, 喷无光黑
- 备注: 转动约180°
- Material: Zinc die-casting hinge, stainless steel and nickel plating steel pin are available
- Finish: Bright chrome plating
Black powder coated
- Remark: 180° hinge

基本尺寸 Dimensions											产品型号及特性 Product Number			
H1	H2	H3	H4	H5	H6	L1	L2	L3	δ	喷无光黑 Black powder coated	镀亮铬 Bright chrome plating	产品单重(g) Weight	装箱数 Lot	
17.2	5.7	18.5	17.7	23	13	40	26.5	16	2.5	HL003-1.3	HL003-1.1	67	300	
16	5.2	17	16.5	21	12	30	19.5	12	2.3	HL003-2.3	HL003-2.1	44	400	

侧边安装外露式铰链 Side prominent Hinge



型号 Product no.	产品单重(g) Weight	装箱数 Lot
HL003-3	51	400

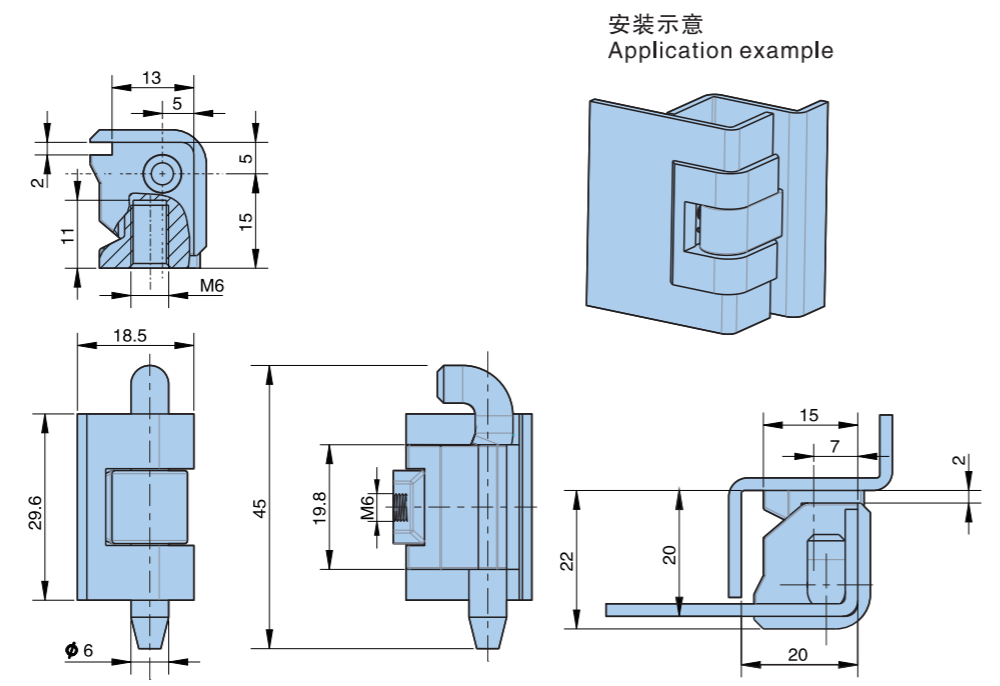
HL003-3



- 材质: 锌合金铰链, 碳钢销子
- 表面处理: 喷沙纹黑
- 备注: 可开启角180°
- Material: Zinc die-casting hinge, stainless steel and nickel plating steel pin are available
- Finish: Matt black
- Remarks: 180° hinge

HL003-2A

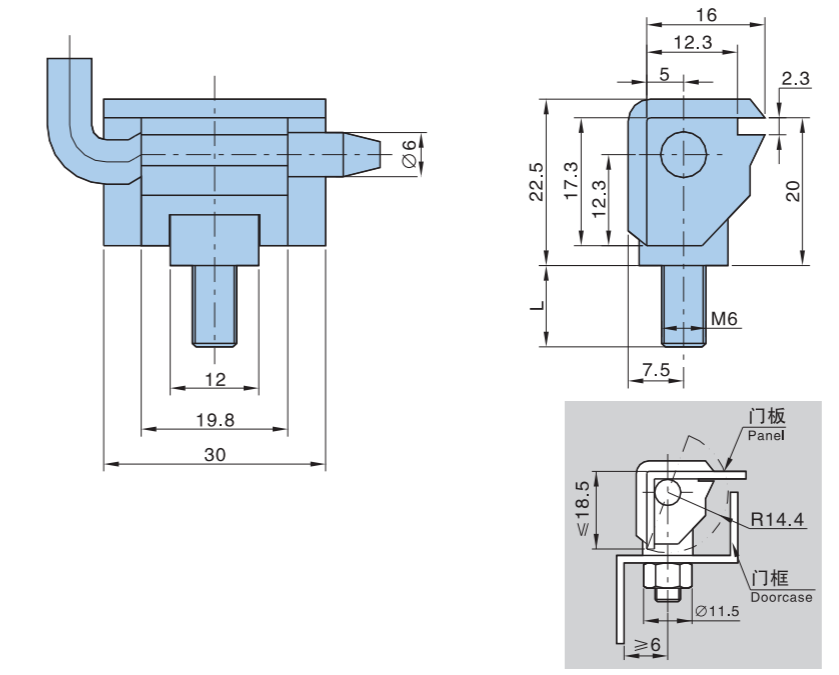
侧边安装外露式铰链 Side prominent Hinge



- 材质: 锌合金铰链, 碳钢销子
- 表面处理: 喷无光黑
- 备注: 可开启角180°
- Material: Zinc die-casting hinge, stainless steel and nickel plating steel pin are available
- Finish: black powder coated
- Remarks: 180° hinge

型号 Product no.	产品单重(g) Weight	装箱数 Lot
HL003-2A	56	400

侧边安装外露式铰链 Side prominent Hinge



基本尺寸 Dimensions	产品型号及特性 Product Number			
	喷无光黑 Black powder coated	镀沙铬 Gray chrome plating	产品单重(g) Weight	装箱数 Lot
L1	HL017-1.3	HL017-1.2	50.5	400
15	HL017-2.3	HL017-2.2	48.5	400

HL017-1



- 材质: 锌合金动、静铰链, 分不锈钢和镀镍钢销子及镶嵌螺钉;
- 备注: 转动约180°
- Material: Zinc die-casting hinge, stainless steel and nickel plating steel pin are available
- Remark: 180° hinge