

# HY-TN series (Ø55)

## Sign tower

- Ø55 cylinder type
- Applied the socket type incandescent lamp
- 1~5 stacking structure and 5 kinds of colors
- Continuous light only, continuous light, flashing light, Buzzer (selected by the external signal)



Control switch  
Combination display light

Power switch  
Main switch  
Cam switch

Limit switch  
Micro switch

Hoist switch  
Foot switch  
Mono lever switch

Sign tower  
Signal light

Buzzer  
Terminal block  
Fuse holder



Control box  
Cable connector

Discontinued Products


### ●● Suffix code

Model	Code				Description
HY-	<input type="checkbox"/>	<input type="checkbox"/>	<input type="checkbox"/>	<input type="checkbox"/>	HY-TN series sign tower
Function	TN				Continuous light only
	TWN				Continuous light, flashing light
	TBN				Continuous light, buzzer
	TWBN				Continuous light, flashing light, buzzer
	TLN				Continuous light only
	TWLN				Continuous light, flashing light
	TBLN				Continuous light, buzzer
	TWBLN				Continuous light, flashing light, buzzer
Power supply voltage	12				12 V d.c
	24				24 V d.c
	110				110 V a.c
	220				220 V a.c
Stacking modules	1				1 stack (Red)
	2				2 stack (Red, green)
	3				3 stack (Red, yellow, green)
	4				4 stack (Red, yellow, green, blue)
	5				5 stack (Red, yellow, green, blue, white)
Supporter selection					None (L type bracket standard)
Optional					Plastic bracket installation (ST-011)

### ●● Light source

Bulb	LED(HY-LP□□)
	

## Specification

Model	HY-TN □□	HY-TWN □□	HY-TBN □□	HY-TWBN □□	HY-TLN □□	HY-TWLN □□	HY-TBLN □□	HY-TWBLN □□
Function	continuous light only	continuous light, flashing light	continuous light, Buzzer	continuous light, flashing light, Buzzer	continuous light only	continuous light, flashing light	continuous light, Buzzer	continuous light, flashing light, Buzzer
Diameter	Ø55							
Number of stacks	1 ~ 5 stack							
Flashing time	-	60 times/1min	-	60 times/1min	-	60 times/1min	-	60 times/1min
Buzzer melody type	-		Single melody, beeping		-		Single melody, beeping	
Buzzer melody volume	-		80 dB (1 m distance)		-		80 dB (1 m distance)	
Power supply voltage	12 V d.c, 24 V d.c, 110 V a.c, 220 V a.c 50/60 Hz							
Light source	Incandescent lamp (BA 15S)				LED (BA 15S)			
Radiating angle	360°							
Lens material	SAN							
Pipe material	Aluminum							
Lens color	Red, Yellow, Green, Blue, White							
Degree of protection	In door							
Certification								
IK cord	IK06							

## Lamp specification and current consumption

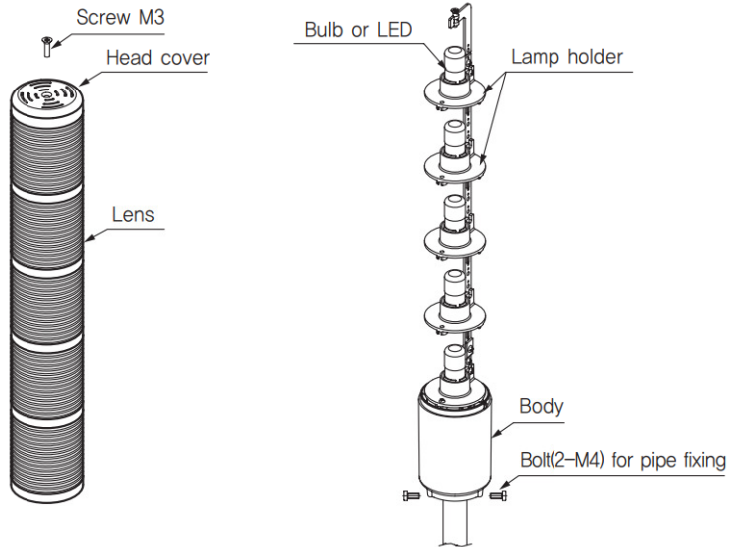
### ■ Bulb (BA 15S)

Power supply voltage	12 V d.c	24 V d.c	110 V a.c	220 V a.c	
Lamp capacity	5 W				
Light source type	Bulb (BA 15S)				
Current consumption	1 stack	0.42 A	0.21 A	0.07 A	0.04 A
	2 stack	0.84 A	0.42 A	0.14 A	0.08 A
	3 stack	1.26 A	0.63 A	0.20 A	0.11 A
	4 stack	1.68 A	0.84 A	0.27 A	0.14 A
	5 stack	2.10 A	1.05 A	0.33 A	0.17 A

### ■ LED (BA 15S)

Power supply voltage	12 V d.c	24 V d.c	110 V a.c	220 V a.c	
Lamp capacity	1.2 VA	1.2 VA	2 VA	4 VA	
Light source type	LED (BA 15S)				
Current consumption	1 stack	96 mA	48 mA	18 mA	18 mA
	2 stack	192 mA	96 mA	36 mA	36 mA
	3 stack	288 mA	144 mA	54 mA	54 mA
	4 stack	384 mA	192 mA	72 mA	72 mA
	5 stack	480 mA	240 mA	90 mA	90 mA

●● Name of each part



Control switch  
Combination display light

Power switch  
Main switch  
Cam switch

Limit switch  
Micro switch

Hoist switch  
Foot switch  
Mono lever switch

●● Dimension (Unit : mm)

HY-TN, HY-TWN, HY-TLN, HY-TWLN type		HY-TBN, HY-TWBN, HY-TBLN, HY-TWBLN type	
Appearance	Dimension	Appearance	Dimension

Sign tower  
Signal light

Buzzer  
Terminal block  
Fuse holder

Control box  
Cable connector

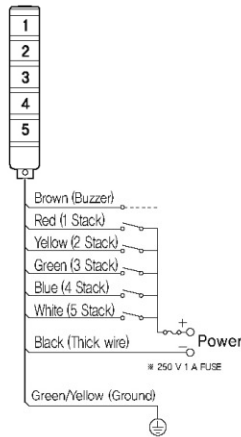
Discontinued Products

### Installation method

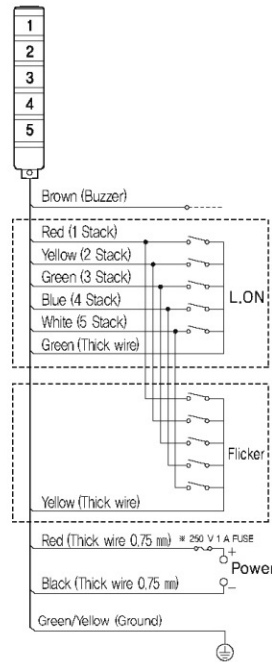
- When controlling more than 2 sign towers at the same time, please use independent contact. (TWN type)
- With the 110 V, 220 V a.c specification of TWN type and TWBN type, please do not connect the yellow and green wire to the power line (red and black)
- When operating the Buzzer, please connect the brown wire (for buzzer) to the L.ON (light on) wire or flashing wire. It is able to select as continuous melody (TNB type) and single melody. (TWBN type)
- When operating the buzzer and indicator at the same time, please connect the brown wire of buzzer to the signal input wire of indicator that users want to operate the buzzer. Single melody when light is flashing and continuous melody when light is continuously ON.
- With the 12 V d.c and 24 V d.c specifications, black wire (thickness : 0.75 mm) is (-).
- please connect ground wire (Green/Yellow) to the ground contact part of the main machine. (only for AC)

### Connection diagram


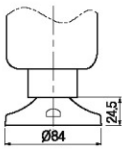
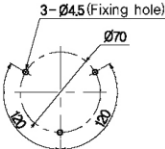

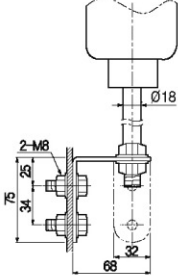
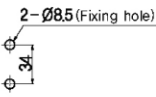
■ HY-TN type, HY-TLN type, HY-TBN type, HY-TBLN type



■ HY-TWN type, HY-TWLN type, HY-TWBN type, HY-TWBLN type



### Supporter appearance and panel cutout (Unit : mm)

Appearance	Dimension and panel cutout	
 <p>ST-011</p>		 <p>3-<math>\varnothing 4.5</math> (Fixing hole) <math>\varnothing 70</math></p>
 <p>L type supporter</p>		 <p>2-<math>\varnothing 8.5</math> (Fixing hole) 34</p>