

Single-Phase Slim Power Controllers

SPR1 Series

INSTRUCTION MANUAL

TCD210146AF

Autonics

Thank you for choosing our Autonics product.

Read and understand the instruction manual and manual thoroughly before using the product.

For your safety, read and follow the below safety considerations before using.

For your safety, read and follow the considerations written in the instruction manual, other manuals and Autonics website.

Keep this instruction manual in a place where you can find easily.

The specifications, dimensions, etc. are subject to change without notice for product improvement. Some models may be discontinued without notice.

Follow Autonics website for the latest information.

Safety Considerations

- Observe all 'Safety Considerations' for safe and proper operation to avoid hazards.
- ⚠ symbol indicates caution due to special circumstances in which hazards may occur.

Warning Failure to follow instructions may result in serious injury or death.

- Fail-safe device must be installed when using the unit with machinery that may cause serious injury or substantial economic loss.**(e.g. nuclear power control, medical equipment, ships, vehicles, railways, aircraft, combustion apparatus, safety equipment, crime / disaster prevention devices, etc.)
Failure to follow this instruction may result in personal injury, economic loss or fire.
- Do not use the unit in the place where flammable / explosive / corrosive gas, high humidity, direct sunlight, radiant heat, vibration, impact or salinity may be present.**
Failure to follow this instruction may result in explosion or fire.
- Install on the device panel, and ground to the bolt for grounding separately.**
Failure to follow this instruction may result in fire or electric shock.
- Do not connect, repair, or inspect the unit while connected to a power source.**
Failure to follow this instruction may result in fire or electric shock.
- Check 'Connections' before wiring.**
Failure to follow this instruction may result in fire.
- Do not disassemble or modify the unit.**
Failure to follow this instruction may result in fire or electric shock.

Caution Failure to follow instructions may result in injury or product damage.

- Use the unit within the rated specifications.**
Failure to follow this instruction may result in fire or product damage.
- Use a dry cloth to clean the unit, and do not use water or organic solvent.**
Failure to follow this instruction may result in fire or electric shock.
- Keep the product away from metal chip, dust, and wire residue which flow into the unit.**
Failure to follow this instruction may result in fire or product damage.
- Since leakage current still flows right after turning off the power or in the output OFF status, do not touch the load terminal.**
Failure to follow this instruction may result in electric shock.

Cautions during Use

- Follow instructions in 'Cautions during Use'. Otherwise, it may cause unexpected accidents.
- Use the product, after 3 sec of supplying power.
- Before use, set the mode and function according to the specification. Especially, be cautious that the product does not operate when output control adjuster (OUT ADJ) is set to 0%. Since changing the mode/parameter during operation may result in malfunction, set the mode and function after disconnecting load output.
- Re-supply the power to the unit after the unit is discharged completely. Failure to follow this instruction may result in malfunction.
- To ensure the reliability of the product, install the product on the panel or metal surface vertically to the ground.
- Install the unit in the well ventilated place.
- While supplying power to the load or right after turning off the power of the load, do not touch the body and heat sink. Failure to follow this instruction may result in a burn due to the high temperature.
- Install a power switch or circuit breaker in the easily accessible place for supplying or disconnecting the power.
- Do not wire to terminals which are not used.
- Use twisted pair wire for communication line.
- Since inter element can be damaged when using with coil load, inductive load, etc., the inrush current must be under the rated load current.
- Do not use near the equipment which generates strong magnetic force or high frequency noise.
- This unit may be used in the following environments.
 - Indoors (in the environment condition rated in 'Specifications')
 - Altitude max. 2,000 m
 - Pollution degree 2
 - Installation category III

Ordering Information

This is only for reference, the actual product does not support all combinations. For selecting the specified model, follow the Autonics website.

SPR 1 - ① ② ③ ④ ⑤

- | | |
|---|--|
| ① Rated load voltage
1: 110 VAC~
2: 220 VAC~
3: 380 VAC~
4: 440 VAC~ | ④ Feedback control
N: Normal control
F: Normal, feedback control (constant current / constant voltage / constant power) |
| ② Rated load current
Number: Rated load current (unit: A) | ⑤ Fuse
N: None
F: Supports fuse |
| ③ Option output
N: Alarm output
T: Alarm output + RS485 comm. output | |

Product Components

- Product (+ 11-pin connector)
- Instruction manual

Manual

For proper use of the product, refer to the manuals and be sure to follow the safety considerations in the manuals. Download the manuals from the Autonics website.

Software

Download the installation file and the manuals from the Autonics website.

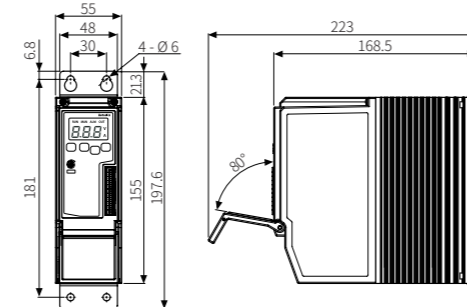
DAQMaster

It is the comprehensive device management program for Autonics' products, providing parameter setting, monitoring and data management.

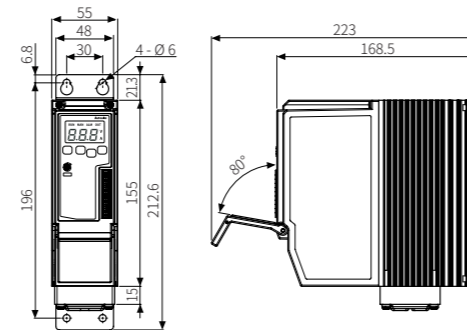
Dimensions

- Unit: mm, For the detailed drawings, follow the Autonics website.

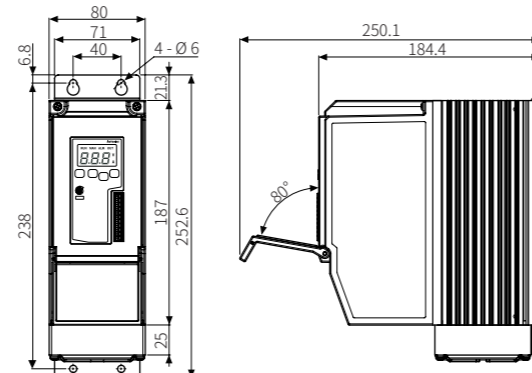
Rated load current 25 / 35 / 50 A



Rated load current 70 A



Rated load current 100 / 150 A



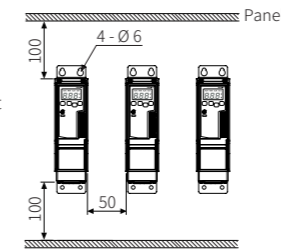
Cautions during Installation

High Temperature Caution

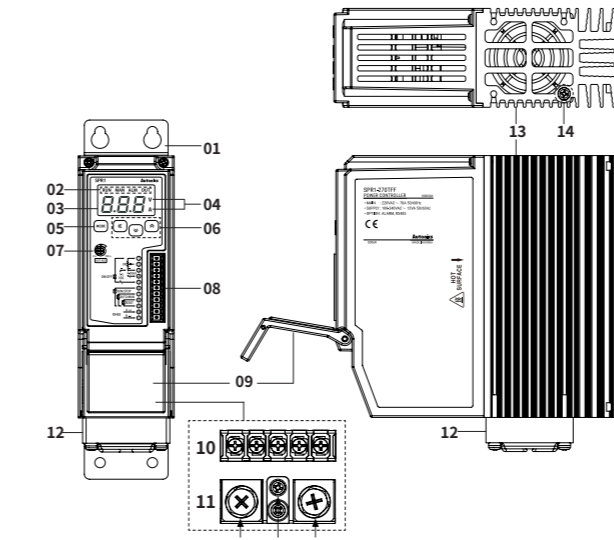
While supplying power to the load or right after turning off the power of the load, do not touch the body and heatsink. Failure to follow this instruction may result in a burn due to the high temperature.

Mount space

- Unit: mm
- When installing multiple power controllers, keep space between power controllers for heat radiation.
Horizontal: ≥ 50 mm, vertical: ≥ 100 mm



Unit Descriptions



01. Bracket

02. Indicator

Indicator	Function
RUN	Operation indicator (green) Turns on in the RUN mode.
MAN	Manual control indicator (green) Turns on when adjusting load output in the manual control mode.
ALM	Alarm indicator (red) Flashes in alarming status.
OUT	Output indicator (red) Turns on when load control outputs.

03. Display part

RUN mode: Displays depending the front display setting

Setting mode: Displays parameter and setting value in setting mode

04. Unit indicator (V, A)

Dependent on the display setting.

Display setting	V	A
Resistance and input	OFF	OFF
Voltage	ON	OFF
Current	OFF	ON
Power	ON	ON

05. [MODE] key

Enters parameter group, returns to RUN mode, moves parameters, and saves the setting value.

06. [◀], [▼], [▲] key

Enters SV setting mode and move digits.

07. Output control adjuster (OUT ADJ)

Adjusts output from 0 to 100% in manual control.

08. Control input / comm. output terminal (11-pin connector terminal)

09. Terminal protection cover

10. Alarm output / power input terminal

11. R, S, U load output terminal

12. Cooling fan

[Rated load current 70 / 100 / 150 A model]

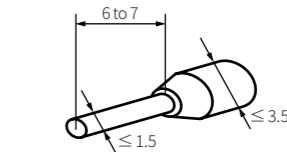
13. Heatsink

14. Bolt for grounding (M4)

Cautions during Wiring

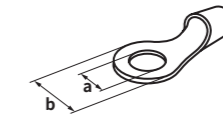
Control input / comm. output terminal (11-pin connector)

- Unit: mm, Use penhole terminals of size specified below.



Alarm output / power input & R, S, U load output terminal

- Unit: mm, Use crimp terminals of size specified below.



Rated load current	Spec.	Alarm output / power input		Load output	
		S	R, U	S	R, U
25 / 35 / 50 / 70 A	a	≥ 3.0	≥ 3.0	≥ 3.0	≥ 6.0
	b	≤ 6.0	≤ 8.0	≤ 8.0	≤ 16.0
100 / 150 A	a	≥ 3.0	≥ 3.0	≥ 3.0	≥ 8.0
	b	≤ 6.0	≤ 8.0	≤ 8.0	≤ 26.0

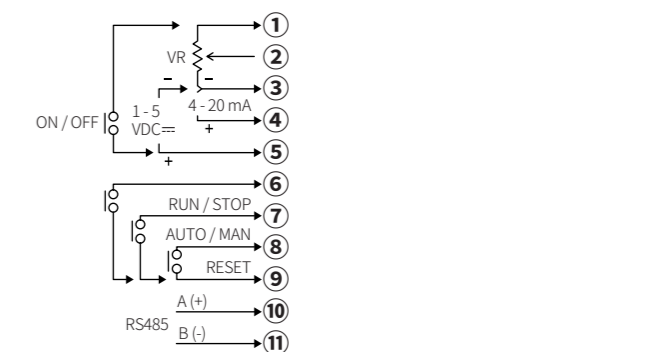
- Cable / screw / tightening torque spec. is different depending on the load current. Be sure to the below before connection.

Rated load current	Spec.	Alarm output / power input		Load output	
		S	R, U	S	R, U
25 / 35 / 50 / 70 A	Cable	AWG 18 to 14	AWG 18 to 14	AWG 18 to 14	AWG 13 to 4
	Screw	M3	M3	M3	M6
	Tightening torque	0.5 N m	0.5 N m	0.5 N m	5.5 to 6.0 N m
100 / 150 A	Cable	AWG 18 to 14	AWG 18 to 14	AWG 18 to 14	AWG 4 to 2 / 0
	Screw	M3	M3	M3	M8
	Tightening torque	0.5 N m	0.5 N m	0.5 N m	6.5 to 7.0 N m

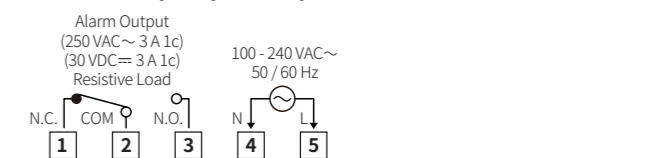
Connections

- Terminal configuration by model may differ depending on the supported spec.

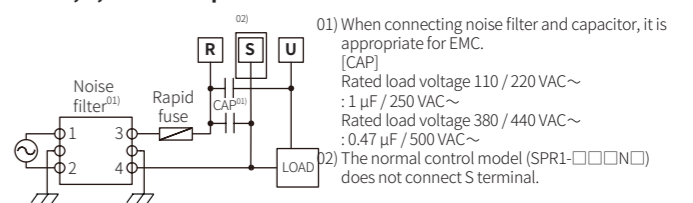
Control input / comm. output terminal (11-pin connector)



Alarm output / power input terminal



R, S, U load output terminal



Specifications				
Model	SPR1-1 <input type="checkbox"/>	SPR1-2 <input type="checkbox"/>	SPR1- <input type="checkbox"/>	SPR1-4 <input type="checkbox"/>
Control phase	Single-phase			
Rated load voltage	110 VAC~ 50/60 Hz	220 VAC~ 50/60 Hz	380 VAC~ 50/60 Hz	440 VAC~ 50/60 Hz
Rated load current	25 / 35 / 50 / 70 / 100 / 150 A			
Display method	3-digit 7segment LED			
Indicators	Operation / manual control indicator (green) Alarm / output / unit (V, A) indicator (red)			
Auto control input	Current ⁰¹⁾ : DC 4 - 20 mA, voltage: 1 - 5 VDC=, contact (non-voltage): ON / OFF, contact (voltage): 5 - 12 VDC=, communication: RS485			
Manual control input	External adjuster (10 kΩ), output control adjuster (OUT ADJ)			
Digital input (DI)	RUN / STOP selectable, AUTO / MAN selectable, RESET			
Alarm output	250 VAC~ 3 A, 30 VDC= 3 A, 1c resistance load			
RS485 comm. output	Modbus RTU method			
Cooling method	Rated load current 25 / 35 / 50 A: natural cooling Rated load current 70 / 100 / 150 A: forced air cooling (with cooling fan)			
Unit weight (packaged)	Rated load current 25 / 35 / 50 A: ≈ 1.3 kg (≈ 1.6 kg) Rated load current 70 A: ≈ 1.35 kg (≈ 1.65 kg) Rated load current 100 / 150 A: ≈ 2.8 kg (≈ 3.2 kg)			
Certification	CE ㉔			

01) Input impedance = 62 Ω

Control method	Phase control	Cycle control	ON/OFF control
Control mode	Normal, Constant current / voltage / power feedback	Fixed cycle / variable cycle	-
Applied load	Resistance load, inductive load	Resistance load	Resistance load, inductive load
Output range	0 to 98 %	0 to 100 %	0 / 100 %
Output accuracy	Varies by control mode		
Normal	Within ± 10 % F.S. of rated load voltage	-	-
Constant current / voltage / power feedback	Within ± 3 % F.S. of rated load current / voltage / power	-	-

Power supply	100 - 240 VAC~ 50 / 60Hz
Permissible voltage range	90 to 110 % of rated voltage
Min. load current	1 A
Power consumption	Rated load current 25 / 35 / 50 A: ≤ 7 VA Rated load current 70 / 100 / 150 A: ≤ 12 VA
Insulation resistance	≥ 200 MΩ (500 VDC= megger)
Dielectric strength	Between the charging part and the case: 3,000 VAC~ 50 / 60 Hz for 1 min
Output leakage currents	≤ 10 mArms
Noise immunity	± 2 kV square wave noise (pulse width: 1 μs) by the noise simulator
Memory retention	≈ 10 years (when using non-volatile semiconductor memory type)
Vibration	0.75 mm double amplitude at frequency of 5 to 55 Hz in each X, Y, Z direction for 2 hours
Vibration (malfunction)	0.5 mm double amplitude at frequency of 5 to 55 Hz in each X, Y, Z direction for 10 min
Ambient temp.	-10 to 55 °C, storage: -20 to 80 °C (no freezing or condensation)
Ambient humi.	35 to 85 %RH, storage: 35 to 85 %RH (no freezing or condensation)

Communication Interface

■ RS485

Comm. protocol	Modbus RTU
Application standard	Compliance with EIA RS485
Max. connection	31-unit (address: 01 to 99)
Comm. synchronous method	Asynchronous
Comm. method	2-wire half duplex
Comm. distance	≤ 800 m
Comm. speed	2,400 / 4,800 / 9,600 / 19,200 / 38,400 bps
Comm. response time	5 to 99 ms (default: 20 ms)
Start bit	1-bit (fixed)
Data bit	8-bit (fixed)
Parity bit	None, Even, Odd
Stop bit	1-bit, 2-bit

Load Output Formula

Control	Input	Formula
Auto (AUTO)	Current	DC 4 - 20 mA
	Voltage	1 - 5 VDC=
	RS485 communication	Load output [%] = RS485 [%]
Manual (MAN)	Output control adjuster (OUT ADJ)	Load output [%] = output control adjuster [%]
	External adjuster	Load output [%] = external adjuster [%]
	Output control (OUT ADJ) / external adjuster	Load output [%] = output control adjuster [%] × external adjuster [%]

Alarm

- Supported alarms are different depending on the model.
- When several alarms occur at same time, the highest priority error is displayed based on priority.

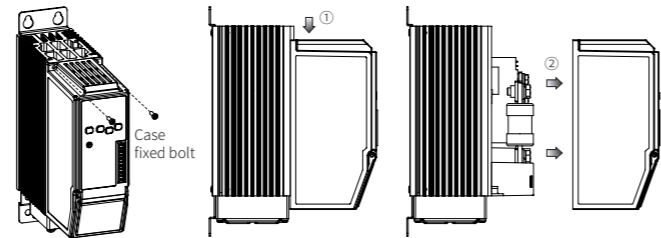
Priority	Type	Display	Operation		Alarm release	Model		
			Alarm	Output				
1	SCR error	5 C r	<ul style="list-style-type: none"> Error display flashes. Alarm indicator (ALM) flashes. Alarm output turns ON 	Output stops. (SCR OFF)	<ul style="list-style-type: none"> Re-supply power. RESET input Switch to stop (STOP) mode. 	Feedback control		
2	Over current	o - C				Feedback control		
4	Heatsink over heat	ε E ε				Normal / Feedback control		
5	Over voltage	o - v				Feedback control		
8	Partial heater break	d L F				Normal operation		
3	Fuse break	F U S				Output stops. (SCR OFF)	Automatically cleared when returning within the setting range	Normal / Feedback control
6	Frequency error	F r 9				Normal operation	Feedback control	
7	Heater break	H - b				Feedback control		

- SCR error alarm**
Even though output is 0 %, if the current of 10 % or more of the rated load current flows for over 3 sec continuously, SCR error alarm occurs.
- Over current alarm**
This function protects the load from over current. If the current flows over the P2-7 over current alarm value and P2-8 over current alarm delay time, over current alarm occurs.
- Heatsink over heat alarm**
When the temperature of a heatsink is over 85 °C, heatsink over heat alarm occurs.
- Over voltage alarm**
This function protects the load from over voltage. If the current flows over the P2-9 over voltage alarm value and P2-10 over voltage alarm delay time, over voltage alarm occurs.
- Partial heater break alarm**
When some of the loads (up to 4) are disconnected, partial heater break alarm occurs. When P2-14 partial heater break scan is set to ON, the load current characteristic is detected and saved for about 100 seconds in phase control and 300 seconds in cycle control. Alarm trigger condition: When the output is more than 20 % and each load current is more than 3 A

- Fuse break alarm**
When breaking fuse, not supplying load power, breaking load (normal control model), fuse brake alarm occurs.
- Frequency error alarm**
When the load power frequency is out of the specification, frequency error alarm occurs.
- Heater break alarm**
Comparing the full load resistance value and the current load resistance value, if the current load resistivity is maintained under the P2-12 heater break alarm value for over 3 sec continuously, heater break alarm occurs. This alarm operates when control output is over 10 %. Output does not stop and operates normally.
Current load resistance(%) = $\frac{\text{Full load resistance value} \times 100}{\text{Current load resistance value}}$

Replacement of Fuse

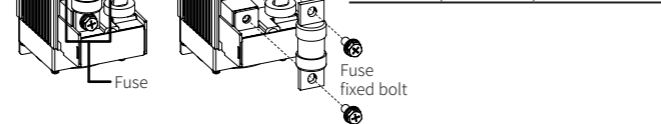
■ Case removal



■ Replacement of fuse

- Fuse none model is not equipped with a rapid fuse inside. Install the suitable fuse for rated load current of the model separately.
- The performance of the product is guaranteed only when using the fuse provided by us. For replacing the fuse, use the recommended fuse.

Rated load current	Rec. fuse	Manufacturer
25 A	50FE	BUSSMANN
35 A	63ET	
50 A	80ET	
70 A	100FE	
100 A	FWH-150B	
150 A	FWH-200B	

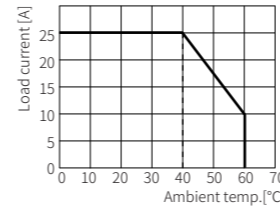


■ Bolt specification

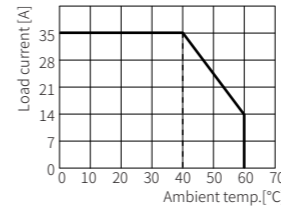
Rated load current	Case fixed bolt	Fuse fixed bolt
25 / 35 / 50 / 70 A	M3	M6
100 / 150 A	M4	M8

Derating Curve

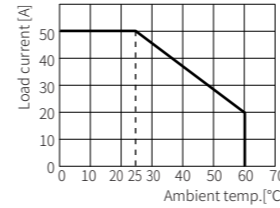
■ Rated load current 25 A



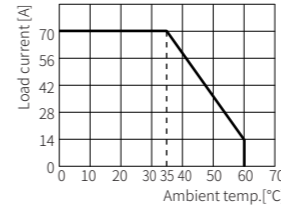
■ Rated load current 35 A



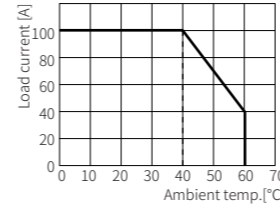
■ Rated load current 50 A



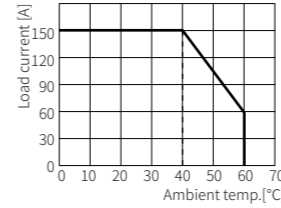
■ Rated load current 70 A



■ Rated load current 100 A



■ Rated load current 150 A



Mode Setting

RUN	[MODE]	→	Monitoring group	[MODE] 3 sec	→	
	[MODE] 2 sec	→	Parameter 1 group	[MODE] 3 sec	→	
	[MODE] 4 sec	→	Parameter 2 group	[MODE] 3 sec	→	
	[◀ + ▲ + ▼] 5 sec	→	Parameter reset	[MODE]	→	
	6-9 terminal external contact	→	RUN / STOP	Auto	→	RUN
	7-9 terminal external contact	→	Auto/ Manual control	Auto	→	
	[▲ + ▼] 2 sec or 8-9 terminal	→	Reset ⁰¹⁾	Auto	→	

01) In the event of system anomalies and alarms, RESET input restarts the power controller. (parameters are not reset.)

Parameter Setting

- Some parameters are activated / deactivated depending on the model or setting of other parameters. Refer to the description of each parameter.
- If any key is not entered for 30 sec in each parameter, it returns to RUN mode.
- [MODE] key: Saves current setting value and moves to the next parameter.
- [◀] key: Changes setting digits.
- [▲], [▼] key: Changes setting values.

■ Monitoring group

Parameter	Display	Display range
M1-1 Monitoring value	i n	0 to 100 %
M1-2 Load voltage value	L - v	[Feedback control model] 0 to rated voltage range, V
	L - P	[Feedback control model] 0 to rated current range, A
	L - W	[Feedback control model] 0 to rated power range, kW
M1-3 Load current value	L - P	[Feedback control model] 0 to rated current range, A
	L - r	[Feedback control model] 0 to 100 % • Displays the present resistance as percentage compared to the set resistance of full load auto recognition.
M1-4 Load power value	L - W	[Feedback control model] 0 to rated power range, kW
M1-5 Resistance value percentage	L - r	[Feedback control model] 0 to 100 % • Displays the present resistance as percentage compared to the set resistance of full load auto recognition.
M1-6 Heatsink temp.	ε ε P	0 to 100 °C
M1-7 Power supply freq.	F r 9	50, 60 Hz

■ Parameter 1 group

Parameter	Display	Default	Setting range
P1-1 SOFT START time	S - t	3	[Normal and Cycle control model] 0 to 100 sec
P1-2 SOFT UP time	U - t	3	[Feedback control model] 0 (reach target output value quickly) to 100 (reach target output value slowly)
P1-3 SOFT DOWN time	d - t	3	
P1-4 Output low-limit value	L - L	0	0 ≤ L-L ≤ H-L ≤ 100 %
P1-5 Output high-limit value	H - L	100	
P1-6 Output slope ⁰¹⁾	S L P	100	0 to 100 % • In case of auto control (AUTO), set the output slop limit proportional to control input for limit load power.

■ Parameter 2 group

Parameter	Display	Default	Setting range
P2-1 Control input ⁰¹⁾	i n t	4 2 0	420: DC 4 - 20 mA 1-5: 1 - 5 VDC= 512: 5 - 12 VDC= (contact - voltage) ONF: ON / OFF (contact - non-voltage) COM: RS485 communication
P2-2 Control method	ε - n	P P	*[Feedback control model]
			Set Control method
			PA Normal
			V-F* Phase control
			C-F* Constant voltage feedback
W-F* Constant current feedback			
F-C Constant power feedback			
V-C Cycle control	Fixed cycle		
ONF ON/OFF control	Variable cycle		
P2-3 Manual control (MAN) input ⁰¹⁾	n n n	i - r	L_R: Output control adjuster E_R: External adjuster E_I: Output control / external adjuster
P2-4 Input correction ⁰¹⁾	i n b	0 0	
P2-5 Input slope correction ⁰¹⁾	S P n	0 0	-99 to 99 %
P2-6 Front display	d i S	i n	*[Feedback control model]
			IN: Resistance and input L-V*: Load voltage L-A*: Load current L-W*: Load power
P2-7 Over current alarm value	o C u	1 2 0	[Feedback control model] 0 to 120 %
P2-8 Over current alarm delay time	o C t	5	[Feedback control model] 0 to 100 sec
P2-9 Over voltage alarm value	o u u	1 2 0	[Feedback control model] 0 to 120 %
P2-10 Over voltage alarm delay time	o u t	5	[Feedback control model] 0 to 100 sec
P2-11 Load resistance value auto recognition	F - L	o F F	[Feedback control model] OFF, ON • It executes 100 % control output for 3 sec and the load resistance value recognized automatically as the initial set when the function is ON.
P2-12 Heater break alarm value	H b u	1 0	[Feedback control model] 10 to 100 %, OFF
P2-13 Frequency error alarm disable / enable	F r 9	o n	OFF: Disable ON: Enable
P2-14 Partial heater break scan ⁰²⁾	d F S	o F F	[Feedback control model] OFF ON: The load current characteristic is detected by increasing the output by 0 → 100 % and decreasing by 100 → 0 %.
P2-15 Number of partial heater break loads ⁰²⁾	d F n	0	[Feedback control model] 0 to 4 • If the number of loads is 0 or 1, the partial heater break alarm does not occur.
P2-16 Comm. address	A d r	0 1	01 to 99
P2-17 Comm. speed	b P S	9 6	[RS485 communication output model] 24, 48, 96, 192, 384 bps (× 100)
P2-18 Comm. parity bit	P r t	n o n	[RS485 communication output model] NON, EVE, ODD
P2-19 Comm. stop bit	S t P	2	[RS485 communication output model] 1, 2 bit
P2-20 Comm. response time	r p t	2 0	[RS485 communication output model] 5 to 99 ms
P2-21 Comm. write	ε n v	ε n A	EN.A: Enable, DSA: Disable
P2-22 Lock	L o C	o F F	OFF LC1: Locks parameter 1 group LC2: Locks parameter 2 group
P2-23 Parameter reset	i n i	n o	NO, YES

01) Set the below parameters available depends on the control input.

Type	Control input	Display	Input correction	Input slope correction	Output slope	Monitoring value
Auto control (AUTO)	Current	DC 4 - 20 mA	420 ○	○	○	The last control input value 0 to 100 %
	Voltage	1 - 5 VDC=	1-5 ○	○	○	
	Contact - voltage	5 - 12 VDC=	512 ×	×	○	
	Contact - non-voltage	ON / OFF	ONF ×	×	○	
	RS485 communication		COM ×	×	×	
Manual control (MAN)	Output control	Output control adjuster (OUT ADJ)	L_R			
		External adjuster	E_R	×	×	×
		Output control (OUT ADJ) / external adjuster	E_I			

02) When P2-15 Number of partial heater break loads = 0 or 1, P2-14 Partial heater break scan does not scan regardless of the setting value.