



Environment Friendly



Energy Saving



Quiet



PK series

Air power
空之能 · 氣蒼穹



COMPANY INTRODUCTION

PUMA sells and produces all type of Air Compressors, Air Tools, Pressure Vessels, and related accessories / spare parts worldwide. In 1979, we integrated the Air Compressors "Power Source" with the Air Tools / Accessories "Diversified Application", resulted in an integral air system and earned the title "AIR CENTER".

PUMA was established United Management, Research & Development, Marketing & Sales 3 major centers and production department in 1996 to become the global supply chain. With the effective application of PDM, SCM, GLM, CRM, ERP management systems, we are determined to achieve the company's diversified and comprehensive business philosophy.

Following the market trend and increasing demand of precision-based Industrial Air Compressor, **PUMA** has designed and developed a range of low-vibration, low-noise, high performance and microcomputer controlled, frequency converted (VSD, variable-speed drive) Piston, Screw and Scroll type, Oil Free as well as Oil Lube air compressors application for Medical / Food / Chemical Industries.

PUMA sustains on research and innovation, also masters on the high quality products and efficient management as core strategy competitive ability. To compete in the global market, we have obtained the ISO 9001 / 13485, CE / REACH, UL, CSA certificates, Taiwan Excellence Awards, pressure vessels certified by ASME, many multi-countries' patents and trademark registration and trademark registration.

Up to now, we have marketed our products in 136 countries and kept the top sales in many countries. **PUMA** will never satisfy with the current achievements. We believe that success is only achieved through innovation, pursuing excellence, and utilizing the most updated managerial and technological skills to help us growth, Meanwhile **PUMA** is not only striving for financial stability but also paying more attention to the Company Social Responsibility, involving activities concerning Environmental Protection, Green Power, public welfare, etc.

We like to create more prosperous future with our partners and achieve our goal "Where there is sunlight, there is **PUMA** products appearance".

PUMA GLOBAL-WIDE MARKETING STRATEGIC ALLIANCE NETWORK

- 15,000,000 air compressor in service.
- 136 countries distributing.
- 3,200 services centers.
- 40,000,000 air tools in service.

World Brand Globalized Service



• Where there is sunshine, there are **PUMA** products.

PROFESSIONAL

Direct Drive Oil-Lube Series

- Compact and portable designs.
- Oil-lube models feature “monobloc” die-cast aluminum pump with cast iron cylinder.
- All models are equipped with induction motors with overload protection.
- Ideal for home and professional applications.



**AE18
(AE1008)**



**AE112A
(AE1512)**



**AE225
(AE2025)**



**AE230A
(AE2530)**



**AE350
(AE3050)**



**AT350A
(AC3550)**

MODEL	HP / KW	l/min/CFM	R.P.M.	NO.	WORK kg/cm ² /psi	MAX kg/cm ² /psi	AIR l/Gal.	kg/Lbs.	cm	OLD MODEL
50HZ										
AE18	1.0 / 0.75	126 / 4.5	2850	1	8 / 115	10 / 150	8 / 2.2	17 / 37	48x18x55	AE1008
AE112A	1.5 / 1.12	130 / 4.6	1450	1	8 / 115	10 / 150	11 / 3.0	28 / 61	54x25x60	AE1512
AE225	2.0 / 1.50	200 / 7.0	2850	1	8 / 115	10 / 150	24 / 6.3	31 / 68	60x28x58	AE2025
AE230A	2.5 / 1.90	256 / 9.0	2850	1	8 / 115	10 / 150	27 / 7.0	39 / 86	66x28x66	AE2530
AE350	3.0 / 2.20	350 / 12.4	2850	2	8 / 115	10 / 150	46 / 12.0	47 / 104	68x38x70	AE3050
AT350A	3.5 / 2.60	256 / 9.0	2850	2	12 / 170	14 / 200	46 / 12.0	47 / 104	68x38x70	AC3550
60HZ										
AE18	1.0 / 0.75	153 / 5.4	3450	1	8 / 115	10 / 150	8 / 2.2	17 / 37	48x18x55	AE1008
AE112A	1.5 / 1.12	155 / 5.5	1720	1	8 / 115	10 / 150	11 / 3.0	28 / 61	54x25x60	AE1512
AE225	2.0 / 1.50	240 / 7.0	3450	1	8 / 115	10 / 150	24 / 6.3	31 / 68	60x28x58	AE2025
AE230A	2.5 / 1.90	310 / 11.0	3450	1	8 / 115	10 / 150	27 / 7.0	39 / 86	66x28x66	AE2530
AE350	3.0 / 2.20	420 / 14.9	3450	2	8 / 115	10 / 150	46 / 12.0	47 / 104	68x38x70	AE3050
AT350A	3.5 / 2.60	310 / 11.0	3450	2	12 / 170	14 / 200	46 / 12.0	47 / 104	68x38x70	AC3550

● A : 1/2 HP

PROFESSIONAL

Direct Drive Oil-Less Series

- Compact and portable designs.
- Oil-less models feature patented pump design for lower noise and improved cooling.
- Maintenance-free on oil-less units.
- All models are equipped with induction motors with overload protection.
- Ideal for home and professional applications.



**OF024C
(OF0204C)**



**OF076
(OF0706)**



**OF105
(OF1005)**



**OF125
(OF1025)**



**OF230
(OF2030)**



**OF250A
(OF2550)**

MODEL	HP / KW	l/min/CFM	R.P.M.	NO.	WORK kg/cm ² /psi	MAX kg/cm ² /psi	AIR l/Gal.	kg/Lbs.	cm	OLD MODEL
50HZ										
OF024C	0.25 / 0.18	32 / 1.1	2850	1	8 / 115	10 / 150	4 / 1.0	10 / 22	37x36x32	OF0204C
OF076	0.75 / 0.56	90 / 3.1	2850	1	8 / 115	10 / 150	6 / 1.5	15 / 33	49x21x44	OF0706
OF105	1.00 / 0.75	140 / 4.9	2850	1	8 / 115	10 / 150	4 / 1.0	19 / 41	40x40x37	OF1005
OF125	1.00 / 0.75	140 / 4.9	2850	1	8 / 115	10 / 150	24 / 6.3	25 / 55	60x28x58	OF1025
OF230	2.00 / 1.50	230 / 8.2	2850	1	8 / 115	10 / 150	27 / 7.0	27 / 60	66x28x66	OF2030
OF250A	2.50 / 1.90	266 / 9.4	2850	1	8 / 115	10 / 150	46 / 12.0	41 / 90	68x32x70	OF2550
60HZ										
OF024C	0.25 / 0.18	40 / 1.4	3450	1	8 / 115	10 / 150	4 / 1.0	10 / 22	37x36x32	OF0204C
OF076	0.75 / 0.56	108 / 3.8	3450	1	8 / 115	10 / 150	6 / 1.5	15 / 33	49x21x44	OF0706
OF105	1.00 / 0.75	170 / 6.0	3450	1	8 / 115	10 / 150	4 / 1.0	19 / 41	40x40x37	OF1005
OF125	1.00 / 0.75	170 / 6.0	3450	1	8 / 115	10 / 150	24 / 6.3	25 / 55	60x28x58	OF1025
OF230	2.00 / 1.50	280 / 9.9	3450	1	8 / 115	10 / 150	27 / 7.0	27 / 60	66x28x66	OF2030
OF250A	2.50 / 1.90	322 / 11.4	3450	1	8 / 115	10 / 150	46 / 12.0	41 / 90	68x32x70	OF2550

● A : 1/2 HP

PROFESSIONAL

D.C. direct Drive Oil-less Series(12V/24V)

- Oil-less design allows units to be mounted in any orientation.
- Patented pump design for the provision of lowered noise and improved cooling.
- Deep cooling fin design on cylinder head and cylinders for high efficiency cooling.
- Oversized motor cooling fan prevent motor from overheating.
- Continuous duty cycle for 1/2 to 1HP models, 50% duty cycle for 1/4 HP models.
- Ideal for off-road vehicles, RV, agriculture, construction, motorsports, and applications where on-board air is needed.



DC02



DC05



DC07



DC1



DC02L



DC054



DC076



DC078

MODEL	HP / KW	l/min/CFM	R.P.M.	NO.	kg/cm ² /psi	kg/cm ² /psi	l/Gal.	kg/Lbs.	cm	12V / 24V A
DC02	0.25 / 0.18	34 / 1.2	3000	1	8 / 115	10 / 150	-	2.6 / 5.7	22x10x16	18 / 9
DC05	0.50 / 0.37	66 / 2.3	2100	1	8 / 115	10 / 150	-	8.0 / 17.6	28x22x24	32 / 16
DC07	0.75 / 0.56	94 / 3.3	3000	1	8 / 115	10 / 150	-	8.0 / 17.6	28x22x24	45 / 23
DC1	1.00 / 0.75	130 / 4.6	3420	1	8 / 115	10 / 150	-	9.0 / 19.8	31x22x24	72 / 36
DC02L	0.25 / 0.18	34 / 1.2	3000	1	8 / 115	10 / 150	0.5 / 0.1	5.5 / 12.1	22x20x26	18 / 9
DC054	0.50 / 0.37	66 / 2.3	2100	1	8 / 115	10 / 150	4.0 / 1.0	14.0 / 30.8	38x36x32	32 / 16
DC076	0.75 / 0.56	94 / 3.3	3000	1	8 / 115	10 / 150	6.0 / 1.5	14.0 / 30.8	46x21x41	45 / 23
DC078	0.75 / 0.56	94 / 3.3	2100	1	8 / 115	10 / 150	8.0 / 2.2	16.0 / 35.2	40x35x37	45 / 23

PROFESSIONAL / INDUSTRIAL

Single Stage Belt Drive Series

● **Features:**

The new single body valve design can increase compression efficiency and make maintenance very convenient. By adopting the most superior cast iron material, this air compressor is designed for industry use thus it is super water resistant. With the multi-blade heat dissipating fan, forced cooling, the heat dissipating system of this compressor is considered the best.

● **Usage:**

Suitable for use in factories, automatic systems, auto service, finishing and any works requiring compressed air.



**PK190
(PK1090A)**



**PK15300
(PK150300A)**

MODEL	HP / KW	60HZ		50HZ		R.P.M. 60HZ / 50HZ	NO.	WORK kg/cm ² /psi	MAX kg/cm ² /psi	AIR l/Gal.		kg/Lbs.	cm	OLD MODEL
		l/min/CFM												
PK190	1.0 / 0.75	185/ 6.5	160/ 5.6	980/830	2	8/115	10/150	88/ 23	84/ 184	106x49x85				PK1090A
PK2100	2.0 / 1.50	300/ 10.5	255/ 9.0	980/830	2	8/115	10/150	95/ 25	97/ 213	117x49x85				PK20100A
PK3120	3.0 / 2.20	430/ 15.0	390/ 13.0	900/770	3	8/115	10/150	110/ 30	115/ 253	132x53x96				PK30120A
PK4120	4.0 / 3.00	570/ 20.0	480/ 17.0	950/800	2	8/115	10/150	110/ 30	144/ 316	132x53x96				PK40120A
PK5160	5.0 / 3.75	750/ 26.0	635/ 22.5	830/700	3	8/115	10/150	155/ 40	199/ 437	155x53x106				PK50160A
PK7250A	7.5 / 5.60	1120/ 40.0	940/ 33.2	890/750	2	8/115	10/150	228/ 60	301/ 662	161x70x115				PK75250A
PK10300	10 / 7.50	1550/ 55.0	1300/ 46.0	820/690	3	8/115	10/150	304/ 80	362/ 796	191x76x121				PK100300A
PK15300	15 / 11.2	2000/ 71.0	2000/ 71.0	820/820	4	8/115	10/150	304/ 80	415/ 915	191x75x142				PK150300A
PK20300	20 / 15.0	3000/106.0	2500/ 88.0	870/740	3	8/115	10/150	304/ 80	556/1223	191x76x142				PK200300A
PK30500	30 / 22.0	3800/134.0	3220/114.0	870/740	4	8/115	10/150	475/125	651/1432	201x84x144				PK300500A

- Semi-Auto type is to add "U" in no. eg. **PUK5160** is semi-auto.
- Tank cap. is optional at customers request.

INDUSTRIAL

Two Stage Belt Drive Series

● **Features:**

Special high pressure design, safety, sturdy structure for durability. Availability of special auxiliary cylinder can further enhance compression efficiency.

● **Usage:**

Suitable for use in factories, auto maintenance plant, tire stores and special high pressure supply system.



**TK5250
(TK50250A)**



**TK7300A
(TK75300A)**

MODEL	HP / KW	60HZ l/min/CFM	50HZ	R.P.M. 60HZ / 50HZ	NO.	WORK kg/cm ² /psi	MAX kg/cm ² /psi	l/Gal.	kg/Lbs.	cm	OLD MODEL
TK3160	3.0 / 2.20	300 / 10.5	260 / 9.2	1010 / 850	2	12 / 171	16 / 230	155 / 40	170 / 374	155 x 58 x 106	TK30160A
TK5250	5.0 / 3.75	560 / 20.0	485 / 17.1	960 / 800	3	12 / 171	16 / 230	228 / 60	261 / 574	160 x 70 x 115	TK50250A
TK7300A	7.5 / 5.60	730 / 26.0	630 / 22.2	1180 / 1000	2	12 / 171	16 / 230	304 / 80	332 / 730	191 x 76 x 121	TK75300A
TK10300	10.0 / 7.50	1070 / 38.0	940 / 33.2	870 / 750	3	12 / 171	16 / 230	304 / 80	364 / 800	171 x 76 x 121	TK100300A
TK15300	15.0 / 11.20	1470 / 51.9	1470 / 51.9	820 / 820	4	12 / 171	16 / 230	304 / 80	505 / 1110	191 x 76 x 142	TK150300A
TK20300	20.0 / 15.00	1980 / 70.0	1670 / 59.0	870 / 740	3	12 / 171	16 / 230	304 / 80	530 / 1166	191 x 76 x 142	TK200300A
TK30500	30.0 / 22.00	3000 / 106.0	2530 / 89.3	680 / 580	4	12 / 171	16 / 230	475 / 125	651 / 1432	201 x 84 x 144	TK300500A

● Semi-Auto type is to add "U" in no. eg. **TUK3160** is semi-auto.

● Tank cap. is optional at customers request.

PROFESSIONAL Engine Type Series

- **Features:**
 - Specially designed for the place without electric power supply.
 - Vibration-free operation.
 - Easy to carry on transportation.
- **Usage:**
 - Air inflatable & heavy-duty wheels.
 - For farms and constructions.



**PUK320G
(PUK3020GA)**



**PUK532AG
(PUK5532GA)**



**PUK10250AD
(PUK105250DA)**

MODEL	HP / KW	/min/CFM	R.P.M.	NO.	WORK kg/cm ² /psi	MAX kg/cm ² /psi	AIR		kg/L.ba.	cm	OLD MODEL
PUK320G	3.0	230/ 8.1	1150	1	8/115	10/150	20/	5	54/ 118	66x 64x100	PUK3020GA
PUK532AG	5.5	420/ 15.0	1370	2	8/115	10/150	30/	8	82/ 183	106x 54x 74	PUK5532GA
PUK10250AD	10.5	1070/ 38.0	850	2	8/115	10/150	228/	60	330/ 726	161x170x115	PUK105250DA
PUK18500D	18	1730/ 61.1	640	3	8/115	10/150	475/125		580/1276	201x 80x145	PUK180500DA
TUK6120D	6.0	280/ 10.0	910	2	12/175	16/230	110/	30	183/ 402	132x 53x 96	TUK60120DA
TUK80160D	8.0	560/ 20.0	910	3	12/175	16/230	155/	40	244/ 537	155x 58x106	TUK80160DA
TUK80250H	8.0	510/ 18.0	850	2	16/230	20/285	228/	60	310/ 682	161x 70x115	TUK80250HA

- "G" model with gasoline engine type.
- "D" model with diesel engine type.
- Tank cap. is optional at customers request.

PROFESSIONAL / INDUSTRIAL

Silent Type Series

● **Features:**

Using completely enclosed box and the principle of air convection to obtain automatic cooling effect. Equipped with automatic device for easy operation. Handsomely designed and dust proof.

● **Usage:**

Laboratories, dental clinics, cottage industries or places that require silence.



**PP2
(NCS20A)**



**PP10
(NCS100A)**



MODEL	HP / KW	AIR /min/CFM 60HZ 50HZ		R.P.M. 60HZ / 50HZ	NO.	WORK kg/cm ² /psi	MAX kg/cm ² /psi	AIR /Gal.	kg/Lbs.	cm	OLD MODEL
Single Stage											
PP1	1.0/ 0.75	185/ 6.5	160/ 5.6	980/830	2	8/115	10/ 150	4/ 1.0	142/ 312	65x61x 95	NCS10A
PP2	2.0/ 1.50	300/10.6	255/ 9.0	980/830	2	8/115	10/ 150	4/ 1.0	147/ 324	65x61x 95	NCS20A
PP3	3.0/ 2.20	460/16.0	395/14.0	770/650	2	8/115	10/ 150	4/ 1.0	210/ 462	80x74x111	NCS30A
PP5	5.0/ 3.75	750/26.0	640/22.6	830/700	3	8/115	10/ 150	4/ 1.0	250/ 550	80x74x111	NCS50A
PP7A	7.5/ 5.60	1120/40.0	940/33.2	890/750	2	8/115	10/ 150	5/ 1.4	340/ 748	94x80x126	NCS75A
PP10	10.0/ 7.50	1550/55.0	1300/45.9	820/690	3	8/115	10/ 150	5/ 1.4	390/ 860	94x80x126	NCS100A
PP15	15.0/11.25	2200/77.6	1860/65.7	810/680	3	8/115	10/ 150	5/ 1.4	750/1650	120x95x160	NCS150A
Two Stage											
PP3T	3.0/ 2.20	300/10.6	250/ 8.8	1010/850	2	12/175	16/ 225	4/ 1.0	215 / 473	80x74x111	TNCS30A
PP5T	5.0/ 3.75	500/17.7	420/14.8	830/700	3	12/175	16/ 225	4/ 1.0	255 / 562	80x74x111	TNCS50A
PP10T	10.0/ 7.50	1025/36.2	860/30.4	820/680	3	12/175	16/ 225	5/ 1.4	395 / 870	94x80x126	TNCS100A

- Tank cap. & Two stage. is optional at customers request.
- PP3 and above come with auto/semi-auto and low oil switch.

PROFESSIONAL / INDUSTRIAL PUMP Series



AE2(AE20)



OF2A(OF25)



PK1(PK10A)



PK5(PK50A)



PK20(PK200A)



PK30(PK300A)



TK5(TK50A)



TK7A(TK75A)

MODEL	HP / KW	l/min/CFM	MAX R.P.M.	NO.	WORK kg/cm ² /psi	MAX kg/cm ² /psi	kg/Lbs.	cm	OLD MODEL
-------	---------	-----------	------------	-----	------------------------------	-----------------------------	---------	----	-----------

FOR 50Hz AREAS ONLY

AE1	1.00/0.75	126/ 4.5	2850	1	8/115	10/150	9/20.0	34x18x27	AE10
AE1A	1.50/1.12	130/ 4.6	1450	1	8/115	10/150	12/26.0	40x21x34	AE15
AE2	2.00/1.50	200/ 7.0	2850	1	8/115	10/150	11/24.0	37x21x32	AE20
AE2A	2.50/1.90	256/ 9.0	2850	1	8/115	10/150	12/26.0	40x21x34	AE25
AE3	3.00/2.20	350/12.4	2850	2	8/115	10/150	29/64.0	47x38x30	AE30
AT3A	3.50/2.60	256/ 9.0	2850	2	12/170	14/200	30/66.0	47x38x30	AT35
OF02	0.25/0.18	32/ 1.1	2850	1	8/115	10/150	4/ 8.8	26x15x21	OF02
OF07	0.75/0.56	90/ 3.1	2850	1	8/115	10/150	8/17.6	28x18x26	OF07
OF1	1.00/0.75	140/ 4.9	2850	1	8/115	10/150	11/24.2	34x18x28	OF10
OF2	2.00/1.50	230/ 8.2	2850	1	8/115	10/150	11/24.0	40x21x34	OF20
OF2A	2.50/1.90	266/ 9.4	2850	1	8/115	10/150	16/35.0	40x22x35	OF25

FOR 60Hz AREAS ONLY

AE1	1.00/0.75	153/ 5.4	3450	1	8/115	10/150	9/20.0	34x18x27	AE10
AE1A	1.50/1.12	155/ 5.5	1720	1	8/115	10/150	12/26.0	40x21x34	AE15
AE2	2.00/1.50	240/ 7.0	3450	1	8/115	10/150	11/24.0	37x21x32	AE20
AE2A	2.50/1.90	310/11.0	3450	1	8/115	10/150	12/26.0	40x21x34	AE25
AE3	3.00/2.20	420/14.9	3450	2	8/115	10/150	29/64.0	47x38x30	AE30
AT3A	3.50/2.60	310/11.0	3450	2	12/170	14/200	30/66.0	47x38x30	AT35
OF02	0.25/0.18	40/ 1.4	3450	1	8/115	10/150	4/ 8.8	26x15x21	OF02
OF07	0.75/0.56	108/ 3.8	3450	1	8/115	10/150	8/17.6	28x18x26	OF07
OF1	1.00/0.75	170/ 6.0	3450	1	8/115	10/150	11/24.2	34x18x28	OF10
OF2	2.00/1.50	280/ 9.9	3450	1	8/115	10/150	11/24.0	40x21x34	OF20
OF2A	2.50/1.90	322/11.4	3450	1	8/115	10/150	16/35.0	40x22x35	OF25

PK1	1.0 / 0.75	185/ 8.5	980	2	8/115	10/150	19/ 42	39x27x33	PK10A
PK2	2.0 / 1.50	300/ 10.5	980	2	8/115	10/150	20/ 44	40x27x37	PK20A
PK3	3.0 / 2.20	430/ 15.0	900	3	8/115	10/150	23/ 50	44x27x37	PK30A
PK4	4.0 / 3.00	570/ 20.0	950	2	8/115	10/150	43/ 95	63x40x59	PK40A
PK5	5.0 / 3.75	750/ 26.0	830	3	8/115	10/150	61/134	73x43x66	PK50A
PK7A	7.5 / 5.60	1120/ 40.0	890	2	8/115	10/150	81/178	75x49x67	PK75A
PK10	10 / 7.50	1550/ 55.0	820	3	8/115	10/150	103/226	75x55x73	PK100A
PK15	15 / 11.2	2000/ 78.0	820	4	8/115	10/150	178/356	100x67x81	PK150A
PK20	20 / 15.0	3000/106.0	870	3	8/115	10/150	187/411	100x67x81	PK200A
PK30	30 / 22.0	3800/134.0	870	4	8/115	10/150	206/453	112x68x80	PK300A
TK3	3.0 / 2.20	300/ 10.5	1010	2	12/175	16/230	48/105	63x40x59	TK30A
TK5	5.0 / 3.75	560/ 20.0	960	3	12/175	16/230	62/136	73x43x66	TK50A
TK7A	7.5 / 5.60	730/ 26.0	1180	2	12/175	16/230	83/182	75x49x67	TK75A
TK10	10 / 7.50	1070/ 38.0	870	3	12/175	16/230	105/231	75x55x73	TK100A
TK15	15 / 11.2	1470/ 51.9	820	4	12/175	16/230	178/356	100x67x81	TK150A
TK20	20 / 15.0	1980/ 70.0	870	3	12/175	16/230	193/424	100x67x81	TK200A
TK30	30 / 22.0	3000/106.0	680	4	12/175	16/230	206/453	112x68x80	TK300A



TK10(TK100A)



TK20(TK200A)



TK30(TK300A)

PARTS

ITEM	PARTS NO.	COMPATIBLE	ITEM	PARTS NO.	COMPATIBLE	
	2315056	AE1		2202001C	AE1, AE3	
	2315026	AE1A, AE2A		2202029	AE1A, AE2A, AT3A	
	2315055X	AE2		2202002	AE2	
	23115049	AE3, AT3A		2202003A	PK1	
	3B33-H1048	PK1		2202005	PK2, PK3	
	3B33-H20601	PK2		2202015	PK4, PK5, TK3, TK5	
	3B33-H2048	PK3		2202019	PK7A, PK10, TK7A, TK10	
	3B33-H2037	PK3	2202032	PK15, TK15		
	*3B33-P2338	PK4	2202022	PK20, TK20		
	*3B33-P2346	PK5, TK5		*3B3-TB20H	AT3A	
	*3B33-P2337	PK5, TK5		*3B3-TK30H	TK3	
	3B33-P7560	PK7A, TK7A		*3B3-TK50H	TK5	
	3B33-P7567	PK10, TK10		*3B3-TK75H	TK7A	
	3B33-P7568	PK10, TK10		*3B3-TK100H	TK10	
	3B33-CKA581	PK15, TK15		*3B3-CT150H	TK15	
	*3B33-CKA565	PK15, TK15		*3B3-TK200H	TK20	
	*3B33-GK150A	PK20, TK20		3B32-42N	AE1, AE3	
3B33-GK150B	PK20, TK20	3B32-51N		AE1A, AE2A, AT3A		
	3304085	AE1		3B32-47N	AE2	
	3304118	AE1A, AE2A		3B32-51	PK1	
	3304081	AE2		3B32-65	PK2, PK3	
	3304070	AE3, AT3A		3B32-80	PK4, PK5, TK5	
	3304038	PK1, PK2		3B32-100	PK7A, PK10, TK7A, TK10	
	3304046	PK3	3B32-120	PK20, TK20		
	3304024	PK4	3B32-CK7595	PK15, TK15		
	3304025	PK5, TK5		3B13-AC072	AE1, AE1A, AE2, AE2A, AE3, AT3A, PK1, PK2, PK3	
	3304026	PK7A, TK7A		3B13-AP80	PK4, PK5, TK3, TK5, TK7A, TK10	
	3304027	PK10, TK10		3B13-AP100	PK7A, PK10, PK15, TK7A, TK10, TK20	
3304151	PK20, TK20	3B13-K50	TK3, TK5			
3304099-A	PK15, TK15		3B11-NK150A	PK20, TK20		
	3201067		AE1	3B12-NK150A	PK20, TK20	
	3201074	AE1A, AE2A		3B7-AC07V	AE1, AT3A	
	3201066	AE2		3B7-NC11V	AE1A, AE2A, AT3A	
	3201005	AE3		3B7-ND20V	AE2	
	3201056	AT3A		3B7-NB28V	AE3	
	3201088	AT3A		3B7-GK10V	PK1	
	3201036G	PK1		3B7-GK20V	PK2, PK3, TK3, TK5	
	3201035G	PK2, PK3		3B7-GK30V	PK4, PK5, TK3, TK5, TK7A, TK10, TK15	
	3201015G	PK4, PK5, TK5		3B7-GK75V	PK7A, PK10, PK15, TK7A, TK10, TK20	
	3201016G	PK7A, PK10, TK7A, TK10		3B7-NK150V	PK20, TK20	
	3201110	PK15, TK15			2316001	PK4, PK5, TK5
	3201044G	PK20, TK20			2316002	PK7A, PK10, TK7A, TK10
	3201029	TK3, TK5			2316007	PK20, TK20
	3201013	TK7A, TK10			2318008	PK15, TK15
3201112	TK15					
3201034	TK20					

● PUMA products are durable, easy to maintain, also breakdowns drawings and price lists for spare parts of all models are provided for repair use.

PARTS

ITEM	PARTS NO.	SIZE	COMPATIBLE
Pressure Switch 	2E21023	8kg/cm ² 4 Ports ON/OFF	Direct Type
	2E21024	8kg/cm ² ON/OFF 1/4"PT Female	Direct / Silent Type
	2E21008X	12kg/cm ² 1/4"PT Male	Belt-Drive Two Stage
Pressure Gauge 	2D1220D14KS	2"×14kg Back Mount	Direct Type
	2D1225V10K	2.5"×10kg Bottom Mount	Belt-Drive Type
	2D1225B10K	2.5"×10kg Back Mount W/Flange	Silent Type
	2D1225B14K	2.5"×14kg Back Mount W/Flange	Silent Type For H. Pressure
Safety Valve 	2406021T	1/4"PT×11kg	Direct / Belt-Drive Type Under 2HP
	2406002	3/8"PT×11kg	Belt-Drive Type 3HP & 5HP
	2406003	3/4"PT×11kg	Belt-Drive Type Over 7.5HP
Unloading Valve 	2407001	1/2"PT×8kg	Belt-Drive Type (Semi-Auto)
	2407002	1/2"PT×12kg	Belt-Drive Type (H. Pressure / Semi-Auto)
Relief Valve 	2413001	1/4"PT With Hose cock	Common Ball Valve
	2413007	1/2"PT Female/Male	
	2413008	3/4"PT Female/Male	
Oil Gauge 	2303003A	1/2PS	Direct Type
	2303004A	3/4PS	Belt-Drive Type 1HP
	2303023B	1 PS	Belt-Drive Type Over 3HP
Check Valve 	2414025	1/2"PT Vertical	Direct / Belt-Drive Type Under 2HP
	2414031	3/4"PT Vertical	Belt-Drive Type 3HP & 5HP
	2414032	1"PT Vertical	Belt-Drive Type 7.5HP~15HP
	2414020	1.5"PT Vertical	Belt-Drive Type 20HP
Air Filter Cover 	2140006	1/2"PT Plastic	Direct Type Under 1HP
	2140020A	3/4"PT Plastic	Belt-Drive Type 2HP
	2140003	1"PT Metal	Belt-Drive Type 3HP & 5HP
	2140011	1"PT Metal	Belt-Drive Type 7.5HP~15HP
Air Filter 	2142004	φ35×30L	1/2PT Plastic
	2142013	φ65×48L	3/4PT Plastic
	2142002	φ95×55.5L	Belt-Drive Type 3HP & 5HP
	2142009	φ111.5×54.5L	Belt-Drive Type 7.5HP~15HP
Drain Valve 	2405011	1/4"PT	Direct & Belt-Drive Type Under 2HP
	2413007	1/2"PT With Handle	Belt-Drive Type Over 3HP
Tank Wheel 	2402002	4.5"×φ1/2" Rubber	Belt-Drive Type 1HP & 2HP
	2402003	7"×φ3/4" Rubber	Belt-Drive Type 3HP & 5HP
	2402004	8"×φ7/8" Metal	Belt-Drive Type 7.5 & 10HP
	2402009	10"×φ7/8" Metal	Belt-Drive Type 15HP
Vibration Isolator 	2439006	M10	Silent Type 1HP~5HP
	2439007	M12	Silent Type 7.5HP & 10HP
Magnetic Switch 	Order by HP / Voltage / Frequency / Phase		
V-Belt 	Order by Models		

● PUMA products are durable, easy to maintain, also breakdowns drawings and price lists for spare parts of all models are provided for repair use.

AIR CONTROL UNIT

- **AA205002**
1/4" F.R.L unit
- **AA205003**
3/8" F.R.L unit



- **AA215002**
1/2" F.R.L unit
- **AA215003**
3/8" F.R.L unit



- **AA2251FR02**
1/4" High pressure Regulator/Filter
- **AA2251FR03**
3/8" High pressure Regulator/Filter
- **AA2251FR04**
1/2" High pressure Regulator/Filter



- **AA2150R02**
1/4" Regulator
- **AA2150R03**
3/8" Regulator



- **AA2351R02**
1/4" High pressure Regulator
- **AA2351R03**
3/8" High pressure Regulator
- **AA2351R04**
1/2" High pressure Regulator



- **AA225102**
1/4" High pressure F.R.L unit
- **AA225103**
3/8" High pressure F.R.L unit
- **AA225104**
1/2" High pressure F.R.L unit



- **AA235102**
1/4" High pressure F.R.L unit
- **AA235103**
3/8" High pressure F.R.L unit
- **AA235104**
1/2" High pressure F.R.L unit



- **AA2040A**
1/2" F.R.L unit
- **AA2060A**
3/4" F.R.L unit



- **AA2080A**
1" F.R.L unit



Model No.	Port Size	Range Of Pressure (kg/cm ²)	Standard Filter Element (μm)	Max. Flow Rate (l/min)	Temp. Range	Standard Drain	Lubricator oil	Weight kg	Packing Pcs/Ctn/G.W/Cuft (kg)	Lubricator Bowl Capacity (cc)
AA205002	1/4"	0.5-8.5	5	1900	-5-60 C	Semi-auto drain	ISO VG-32	0.72	40/Ctn/34 kg/3.68'	55
AA205003	3/8"	0.5-8.5	5	2100	-5-60 C	Semi-auto drain	ISO VG-32	0.72	40/Ctn/34 kg/3.68'	55
AA215002	1/4"	0.5-8.5	5	1900	-5-60 C	Semi-auto drain	ISO VG-32	1.00	30/Ctn/33.5 kg/3.68'	55
AA215003	3/8"	0.5-8.5	5	2100	-5-60 C	Semi-auto drain	ISO VG-32	1.00	30/Ctn/33.5 kg/3.68'	55
AA2251FR02	1/4"	1.0-15.0	40	2500	-5-60 C	Semi-auto drain	ISO VG-32	1.52	20/Ctn/35 kg/3.68'	200
AA2251FR03	3/8"	1.0-15.0	40	2700	-5-60 C	Semi-auto drain	ISO VG-32	1.52	20/Ctn/35 kg/3.68'	200
AA2251FR04	1/2"	1.0-15.0	40	3200	-5-60 C	Semi-auto drain	ISO VG-32	1.52	20/Ctn/35 kg/3.68'	200
AA2351R02	1/4"	1.0-15.0	40	2500	-5-60 C	Semi-auto drain	ISO VG-32	1.82	12/Ctn/28 kg/3.68'	200
AA2351R03	3/8"	1.0-15.0	40	2700	-5-60 C	Semi-auto drain	ISO VG-32	1.82	12/Ctn/28 kg/3.68'	200
AA2351R04	1/2"	1.0-15.0	40	3200	-5-60 C	Semi-auto drain	ISO VG-32	1.82	12/Ctn/28 kg/3.68'	200
AA2040A	1/2"	0.5-8.5	30	4000	-5-60 C	Semi-auto drain	ISO VG-32	2.00	4/Ctn/11.5 kg/0.8'	130
AA2060A	3/4"	0.5-8.5	30	4500	-5-60 C	Semi-auto drain	ISO VG-32	2.00	4/Ctn/11.5 kg/0.8'	130
AA2080A	1"	0.5-8.5	30	5000	-5-60 C	Semi-auto drain	ISO VG-32	4.00	4/Ctn/18.5 kg/2.4'	130

(Standard unit contains semi-auto-drain function when operating pressure below 0.5kg/cm².)

AIR TANK



30~1000L

MODEL	CAPACITY		HP
	Liter	Gal	
V-88	88	25	1-3
V-110	110	30	5
V-155	115	40	7.5
V-228	228	60	5-10
V-304	304	80	10-20
V-360	360	95	10-20
V-456	456	120	20-30
V-660	660	175	30-40
V-1000	1000	265	50-75
V-1260	1260	330	75-100
V-1500	1500	395	100
V-2000	2000	525	150

HIGH EFFICIENCY FILTER

Dust Elimination / Deodorant / De-Hydro



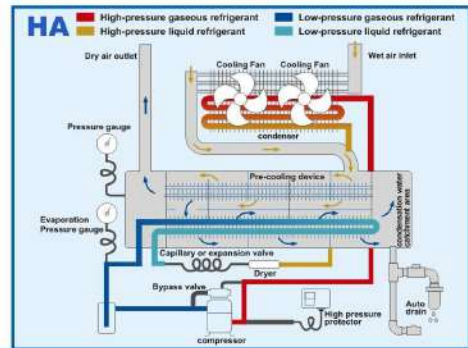
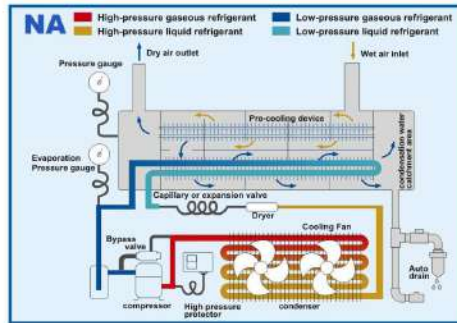
TLP70 TLP33 TLP9

- **GRADE Q**
5 micron
Fiberglass
- **GRADE P**
1 micron
0.5 mg/m³
Borosilicate fiber
- **GRADE H**
0.01 micron
0.01 mg/m³
Borosilicate fiber
- **GRADE C**
0.003 mg/m³
Activated Carbon
- **GRADE X**
0.001 mg/m³
Activated Carbon

REFRIGERATED AIR DRYER



LD5~100HA



● NA Series High efficiency and Low pressure loss

 AIR NM ³ /min SCFM		05NA	10NA	15NA	20NA	30NA	50NA	75NA	100NA	150NA	200NA	250NA	300NA	400NA
		Air compressor (HP)	1~5	7.5~10	15	20	30	30~50	50~60	75	100	150	200	250
Inlet temperature	NA:45°C													
Ambient temperature	38°C													
Dew point	2-5°C(7Kg/cm ²)													
Working pressure	7Kg/cm ² Max.10Kg/cm ²													
Refrigerant	R134a						R-22							
Refrigerate compressor(HP)	1/5	1/3	1/2	3/4	1	1-1/2	2	3	4	5	6	7.5	8	
Power	220 single phase						220/ 380/ 440V 3phase							
Connector pipe size	1/2"	3/4"		1"	1-1/2"	2"	2 - 1/2"	3"	3"F	4"F	4"F	4"F	5"F	
Dimensions (MM)	H	390	600	600	650	750	800	1000	1000	1150	1300	1300	1400	1500
	W	350	350	350	350	400	500	700	700	700	700	2000	2000	
	D	400	640	640	770	920	920	1270	1270	1515	1665	1665	800	950
Weight (kg)	22	40	45	62	90	105	160	220	320	370	390	480	590	

● HA Series High temperature air inlet application

 AIR NM ³ /min SCFM		05HA	10HA	15HA	20HA	30HA	50HA	75HA	100HA	150HA	200HA	250HA	300HA	400HA
		Air compressor (HP)	1~5	7.5~10	15	20	30	30~50	50~60	75	100	150	200	250
Inlet temperature	HA:80°C													
Ambient temperature	38°C													
Dew point	2-5°C(7Kg/cm ²)													
Working pressure	7Kg/cm ² Max.10Kg/cm ²													
Refrigerant	R134a						R-22							
Refrigerate compressor(HP)	1/5	1/3	1/2	3/4	1	1-1/2	2	3	4	5	6	7.5	8	
Power	220 single phase						220V / 380V / 440V 3phase							
Connector pipe size	1/2"	3/4"		1"	1-1/2"	2"	2 - 1/2"	3"	3"F	4"F	4"F	4"F	5"F	
Dimensions (MM)	H	460	600	650	760	760	760	1200	1200	1400	1500	1500	1550	1600
	W	400	350	350	400	500	500	700	700	700	750	750	2000	2400
	D	500	640	770	820	1070	1070	1270	1270	1515	1665	1665	850	950
Weight (kg)	27	45	50	70	110	130	210	270	400	460	480	570	890	

FLOW CHART

Flow Conversion Chart

LPM l/min	CMH m ³ /hr	CFM ft ³ /min	GPM(U.K.) Gal/min	GPM(U.S.A.) Gal/min
1	0.06	0.03532	0.220	0.2642
16.667	1	0.5887	3.667	4.404
28.3153	1.699	1	6.229	7.481
4.5455	0.2727	0.1605	1	1.2011
3.785	0.2271	0.1337	0.8325	1

Conversion Factors

1. TORQUE	1 ft-lb = 1.356 nm = 0.138 kg-m 1 nm = 0.738ft-lb = 0.102 kg-m
2. LENGTH	1 m = 39.371 in = 3.281 ft 1 ft = 12 in = 0.305 m 1 in = 25.4mm
3. WEIGHT	1 lb = 0.454 kg = 16 oz 1 kg = 2.205 lb = 35.274 oz 1 oz = 28.35 g = 0.063 lb
4. POWER	1 kw = 1.341 hp 1 hp = 0.746 kw 1 CV = 1 PS = 0.735 kw
5. CONCENTRATION	1 mg/m ³ = 0.001 mg/L = 0.001 ppm 1 ppm = 1000 mg/m ³ = 1 mg/L

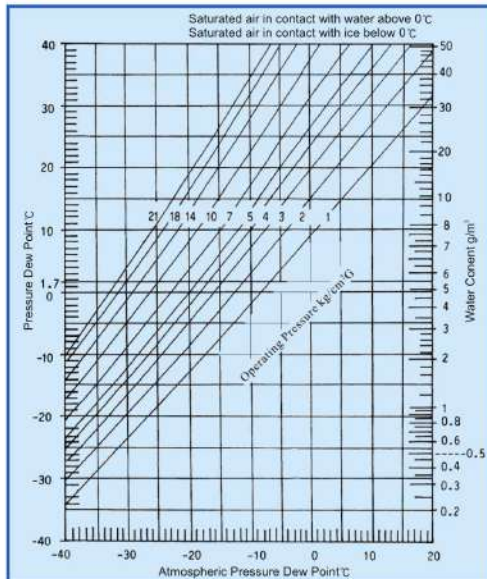
Vacuum Conversion Chart

mbar	Pa (N/m ²)	Torr (mmHg)	mmAq (H ₂ O)	atm
1	100	0.75	10.2	9.87×10^{-4}
0.01	1	7.5×10^{-3}	0.102	9.87×10^{-6}
1.33	133	1	13.6	1.32×10^{-3}
9.81×10^{-2}	9.81	7.36×10^{-2}	1	9.68×10^{-5}
1013	101325	760	10332	1

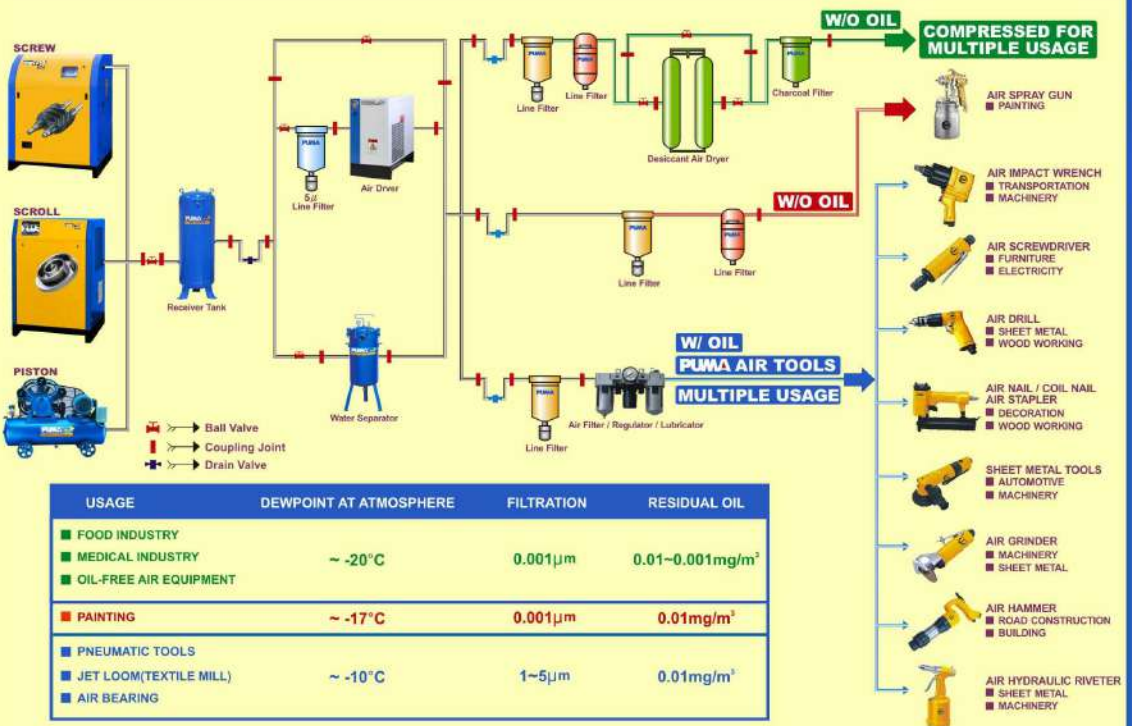
Pressure Conversion Chart

Bar	kPa	kg/cm ²	MPa	Psi
1	100	1.02	0.1	14.5
0.981	98.1	1	0.098	14.22
10	1000	10.197	1	145.036

Pressure-dew Point Conversion Table



PUMA PRODUCTS UTILITY & FLOW CHART





PUMA products, reliable quality

PUMA INDUSTRIAL CO., LTD.

● **OFFICE & FACTORY:**

NO. 427, Sec. 2, Doujhong Rd., Tianjhong Township, Changhua County 520, Taiwan

TEL : 886-4-8761811 e-mail:sales@pumaair.com

FAX : 886-4-8752211 <http://www.pumaair.com>



(SPECIFICATION SUBJECT TO CHANGE WITHOUT NOTICE.)