

FCS-185

Snap Ring Pliers Internal Close (Straight)



Use

- C-type snap ring (snap ring) attachment / detachment tool for machine tools and electronic equipment.
- The tip closes when gripping.
- For shaft / straight nail

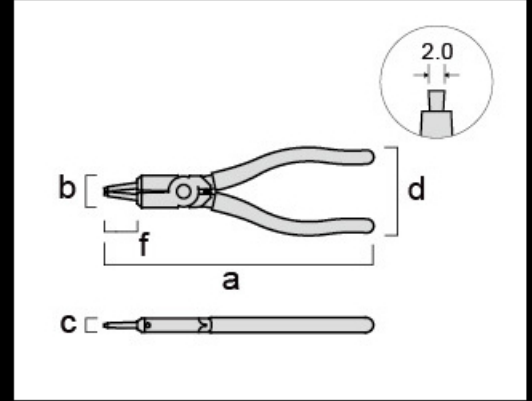
Features

-Since the tip of the claw is processed into a reverse taper shape, the snap ring is securely caught and does not slide down.

- The nail can be replaced with one screw.



| | |
|-----------------------------|-----------------------|
| Size(mm) | 185mm |
| Weight(g/w) | 175g/w |
| Diameter of the tip | 2 |
| Ring use range | 12-65mm |
| Package size (H x W x D mm) | 223×73×20 |
| Set Include | 6 |
| JAN | 4952520040034 |
| a | 183mm |
| b | 22mm |
| c | 10mm |
| d | 52mm |
| f | 30mm |
| Replacement parts | FB-1,FS-1,FS-L1,FS-L2 |



The tip of the claw is processed into a reverse taper shape, so it catches the snap ring securely and does not slip off.



Detachable claws



Useable size of ring.

