

PG



Material: SS304/SS316/SS316L
Claw: PA66 (Nylon) , UL94-V2
Hermetic seal: NBR, Silicone rubber
O-Ring: NBR, Silicone rubber
Protection degree: IP68-10 bar
Temperature: Static state: -40°C to 100°C ,
 Short time to 120 °C ;
 Dynamic state: -20°C to 80°C ,
 Short time to 100°C

Sealing Nut



Claw



Seal



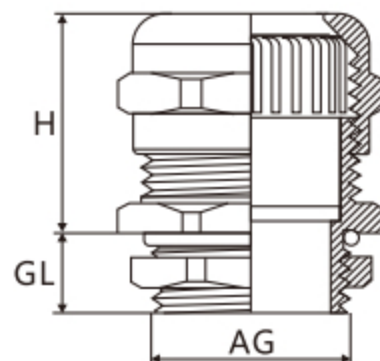
Body



O-ring



Lock Nut



Specification parameter

Item	Range	Thread Length GL	Thread O.D. AG	Joint Length H	Spanner Size
PG7	3-6.5	7	12.5	19.0	14/15
PG9	4-8	8	15.2	20.0	17/18
PG11	5-10	8	18.6	21.0	20/21
PG13.5	6-12	8	20.4	22.0	22/23
PG16	10-14	8	22.5	23.0	24/25
PG21	13-18	9	28.3	27.0	30
PG29	18-25	10	37.0	31.0	40
PG36	25-33	11	47.0	37.0	50
PG42	32-38	13	54.0	38.0	60
PG48	37-44	14	59.3	38.0	65
PG63	42-52	16	72.0	42.0	76/80