

39 SB Series Stainless Steel Sewage Pumps

SB STAINLESS STEEL SEWAGE PUMPS



- Liquid temperature : 0~40°C / 32~104°F
- HP range : 0.5~0.75HP / 0.4~5.5KW
- PH : 5~9
- Rated Speed : 2900 / 3450 rpm
- Protection class : IP68
- Maximum depth : 8M

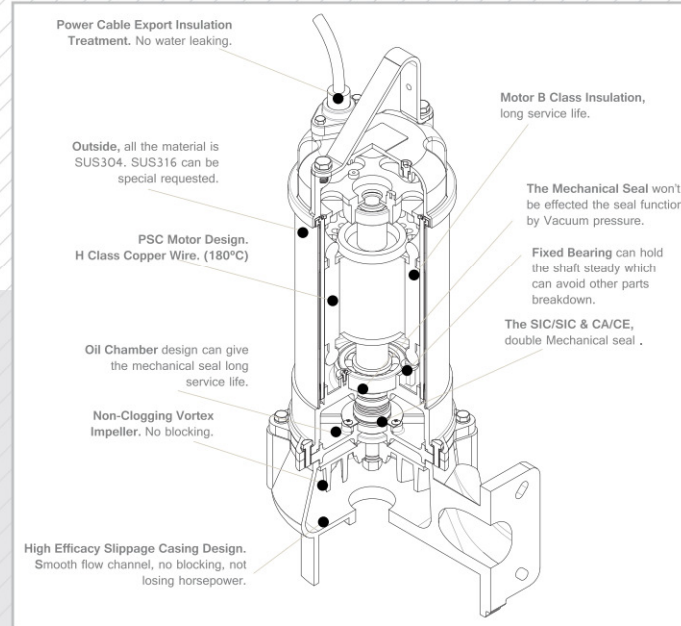
Features

1. Non-clogging vortex impeller.
2. Suspended impeller and high efficacy flow channel design, no blocking. The pass solid is 50mm.
3. The material is stainless steel which can endure light acid and alkali.

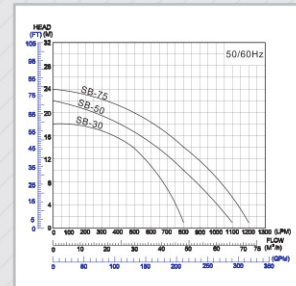
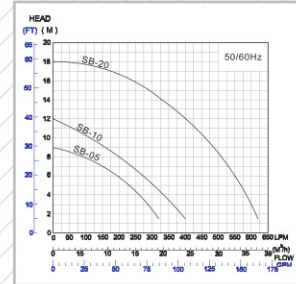
Applications

1. Industrial sewage discharge
2. Sewage and wastewater discharge containing chemicals

Sectional View



Curve



Standard Accessories

Model No.	Accessories
SB-05	Flange, Hose connection
SB-10	Flange, Hose connection
SB-20	Flange, Hose connection
SB-30	Elbow, Flange
SB-50	Elbow, Flange
SB-75	Elbow, Flange



Specification

Model No.	Output		Outlet		Pass Solid Dia(mm)	Max Flow(LPM)	LPM Flow @ Head					Max Head(M)	Dimension		Weight Kg
	HP	KW	mm	inch			3M	6M	9M	12M	15M		L x W x H(mm)	Kg	
SB-05	1/2	0.4	50	2"	30	320	290	180	50	-	-	10	223 x 132 x 395	14	
SB-10	1	0.75	50	2"	30	410	370	250	100	-	-	11	223 x 132 x 425	21	
SB-20	2	1.5	80	3"	35	630	590	490	380	240	55	16	390 x 210 x 530	32	
Model No.	Output		Outlet		Pass Solid Dia(mm)	Max Flow(LPM)	LPM Flow @ Head					Max Head(M)	Dimension		Weight Kg
	HP	KW	mm	inch			3M	5M	10M	15M	20M		L x W x H(mm)	Kg	
SB-30	3	2.2	80	3"	35	800	750	670	440	180	-	18	390 x 210 x 550	34	
SB-50	5	3.7	100	4"	45	1100	1000	880	590	290	-	20	525 x 250 x 635	45	
SB-75	7.5	5.5	100	4"	50	1200	1150	1050	800	520	190	23	525 x 250 x 675	54	

Dimension

Model	Dimension											
	L	L1	L2	W	W1	H	H1	H2	H3	H4	PCD	G
SB-05	215	-	75	155	112	445	386	105	105	130	83	2
SB-10	260	-	100	165	140	415	340	120	120	148	117	3
SB-20	380	250	100	210	145	560	485	122	135	160	117	3
SB-30	380	250	100	210	145	580	505	122	135	160	117	3
SB-50	470	285	183	216	183	620	525	155	210	240	155	4
SB-75	470	285	183	216	183	640	555	155	210	240	155	4

