

POWER CONTROLLER (FOR BRUSHLESS SCREWDRIVERS)

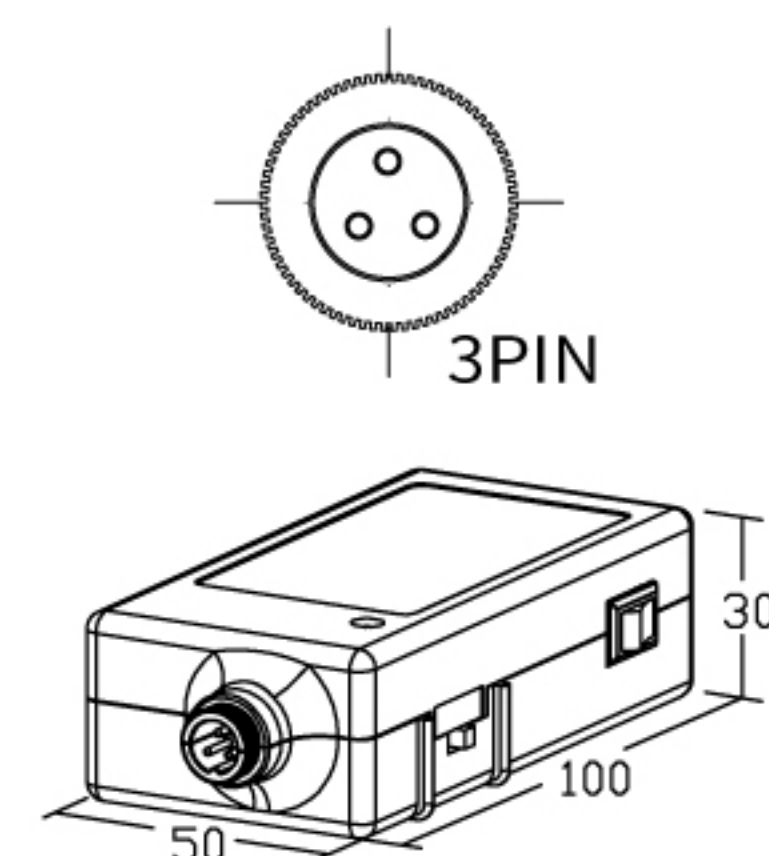


SKP Series [SKP-12HL, SKP-32BC-60W, SKP-BE32HL(6P)]

External Dimension



SKP-12HL



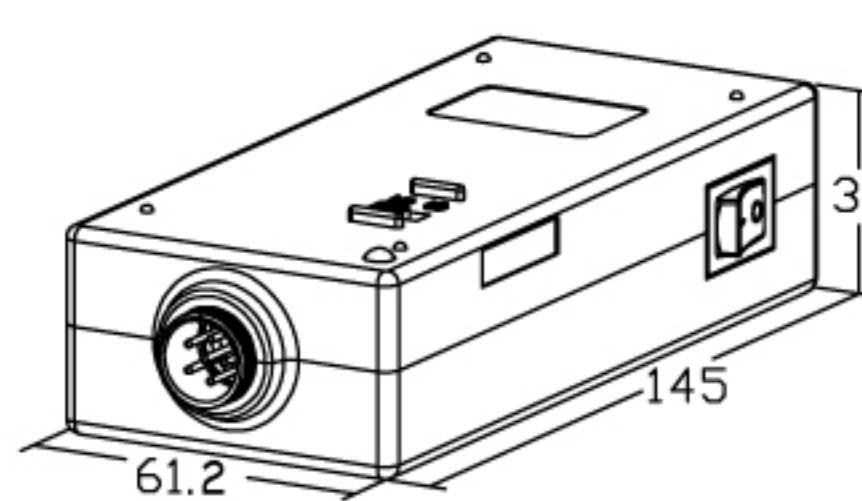
SKP-12HL



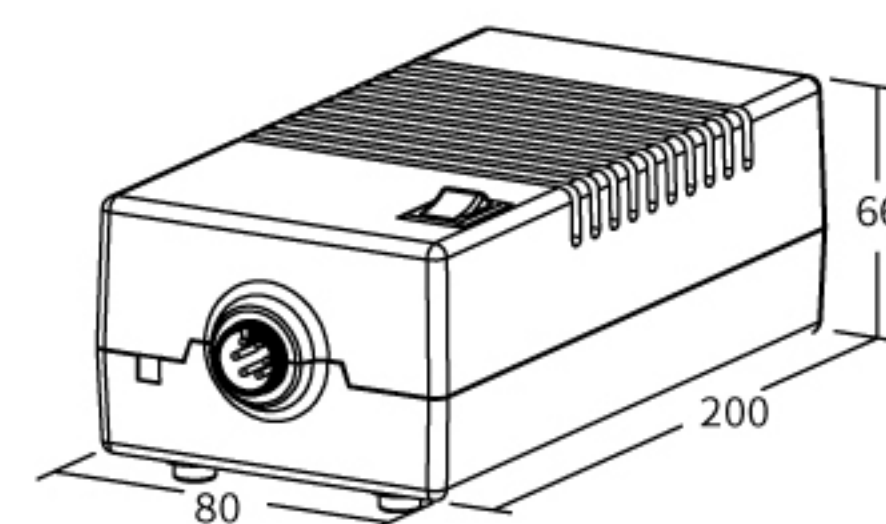
SKP-32BC-60W



SKP-BE32HL(6P)



SKP-32BC-60W



SKP-BE32HL(6P)



6PIN



6PIN

Unit: mm

Specifications

Model	SKP-12HL	SKP-32BC-60W	SKP-BE32HL(6P)
Input Voltage	AC 100-240V 50/60Hz	AC 100-240V 50/60Hz	AC 100-240V 50/60Hz
Output Voltage	LO DC 9V / HI DC 12V	LO DC 24V / HI DC 32V	LO DC 24V / HI DC 32V
Capacity	2.5A	1.8A MAX	3A MAX
Outside Dimensions	100X50X35(mm)	145X61.2X35(mm)	200X80X66(mm)
Weight(g)	144.5g(main body)	250g(main body)	460g(main body)
AC Cord Length	2M with ground	2M with ground	2M with ground

Remark (optional)



Applicable Models

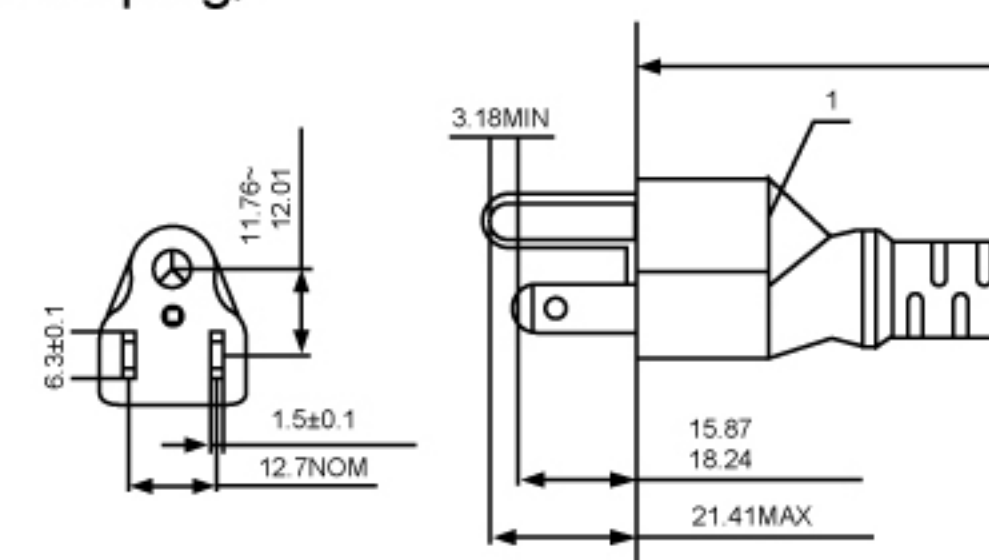
SKD-B100 Series

SKD-BN200 Series
SKD-BE200 Series
SKD-BN500 Series
(not included F type series)
SKD-BE500 Series
(not included F type series)

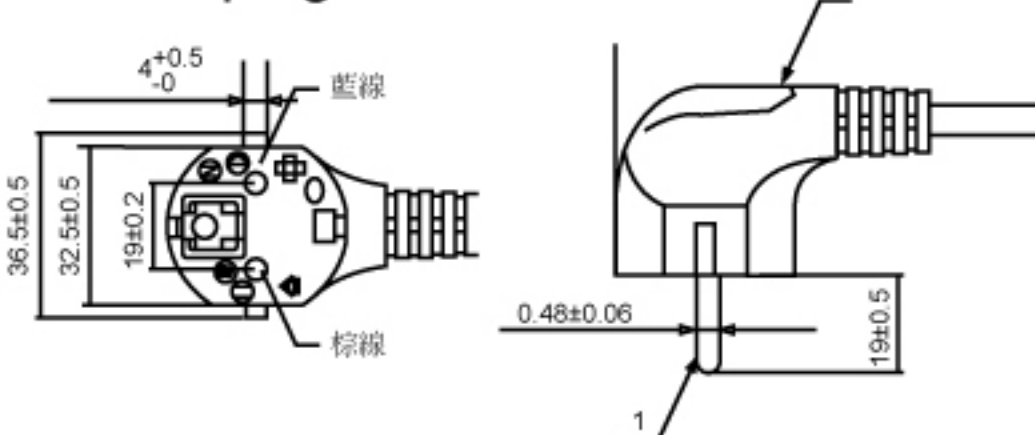
SKD-BN200 Series
SKD-BNK200 Series
SKD-BE200 Series
SKD-BN500 Series
(F type series)
SKD-BNK500 Series
SKD-BE500 Series
(F type series)
SKD-BN7000 Series

Plug Feature

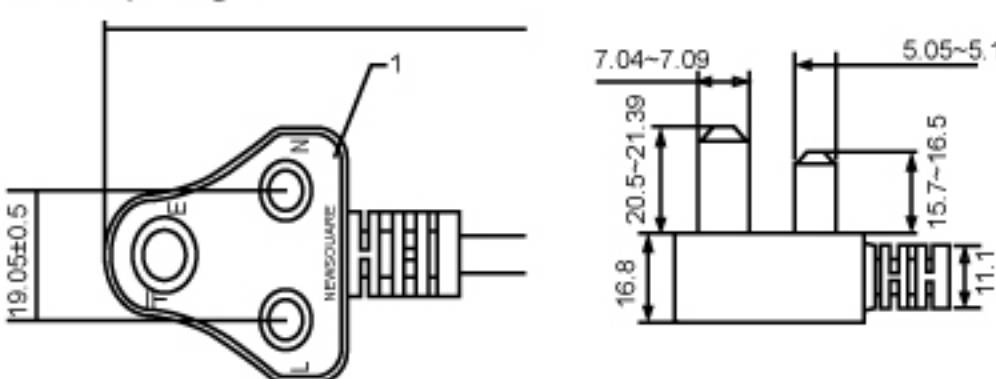
(U.S.A plug)



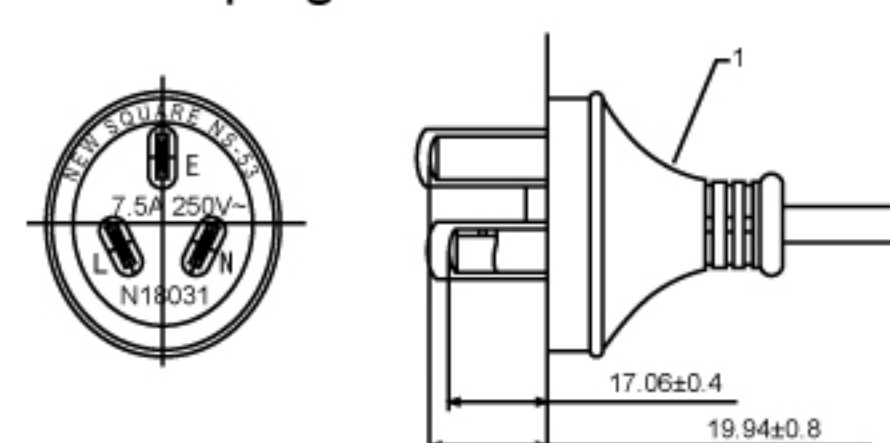
(EUROPE plug)



(INDIA plug)



(AUSTRALIA plug)



(U.K plug)

