

SB, SBA



1. Product introduction	3
Product range	3
Applications	3
Pumped liquids	3
Features and benefits	4
Selection guide	5
2. Installation	6
Location	6
Maximum installation depth	6
Highest tapping point for SBA pumps	6
Float switch	6
Minimum space	7
Pump positioning	7
3. SB	8
Product description	8
Features and benefits	8
Type key	9
Approvals and markings	9
Construction	10
Performance curves, SB 50 Hz	11
Performance curves, SB 60 Hz	11
Electrical data	11
Operating conditions	11
Dimensions	12
Product range SB	12
4. SBA	13
Product description	13
Features and benefits	13
Type key	14
Approvals and markings	14
Construction	15
Performance curves, SBA 50 Hz	16
Performance curves, SBA 60 Hz	16
Electrical data	16
Operating conditions	17
Start pressure	17
Dimensions	18
Product range SBA	18
5. Accessories	19
Suction kit with floating strainer	19
6. Grundfos Product Center	20

1. Product introduction



TM082280

Grundfos SB and SBA submersible booster pumps are designed for water supply, drainage and pressure boosting in private homes and weekend cottages.

Two main pump versions are available:

- pump with integrated inlet strainer with 1 mm (0.04 inch) mesh
- pump with side inlet and floating inlet strainer with 1.5 mm (0.06 inch) mesh attached to a flexible inlet hose.

Both versions are available with or without float switch.

Product range

SB

SB is the proven, low-noise performer in boosting. It is built from durable high-quality composite and stainless steel, making the pump resistant to corrosion.

SB requires an external controller for automatic operation, for example, Grundfos Pressure Manager. When paired with a float switch, the SB pump is able to stop in case of low water.

SBA

SBA is built on the SB platform and is the all-in-one variant for automatic operation. SBA includes an integrated control unit for automatic start and stop, eliminating the need for an external controller.

The built-in control unit incorporates dry-running protection and enables the pump to automatically restart after dry running.

SBA models with float switch automatically restart when sufficient water is available while models without a float switch attempts to restart every 24 hours.

Applications

The pump is suitable for the following applications:

- Water pressure boosting in domestic applications
- Rainwater harvesting - reuse of rainwater from cisterns outside the building or break tanks inside the building
- Irrigation, for example, garden watering
- water transfer, for example, to roof break tank.

Pumped liquids

The pumps are designed for fresh water with a maximum chloride content of 300 ppm and a free chlorine content below 1 ppm.

The product is suitable for pumping clean, thin, non-aggressive and non-explosive liquids without solid particles or fibres.

The pumps are not suitable for these liquids:

- liquids containing long fibres
- inflammable liquids (oil, petrol, etc.)
- aggressive liquids.

Features and benefits

See the following for the main features and benefits for SB and SBA pumps.

- SBA is an all-in-one unit with no external control required.
- **Easy installation:**The pumps offer quick installation by simply being plug and pump.
- **Noiseless operation:**The pumps offer noiseless operation when submerged in a tank or installed underground in a well.
- **High reliability:**The pumps are built from composite and stainless-steel materials that are resistant to corrosion. The stainless-steel strainer with 1 mm (0.04 inch) mesh prevents large particles from entering the pump housing.
- **Integrated protection against overheating:**The pumps incorporate current- and temperature-dependent motor protection. If the pump is blocked or otherwise overloaded, the built-in thermal switch cuts out. When the motor has cooled sufficiently, it restarts automatically. No external motor protection is required.
- **Dry-running protection with automatic restart (only SBA):**The integrated built-in control unit of SBA incorporates dry-running protection with automatic stop and restart.
- **Float switch:**The float switch is used for automatic operation for dry-running protection of the pump. The float switch offers stop at low water level.
- **Floating inlet strainer:**Models featuring an inlet strainer draw water from below the water surface where the water is clean and free from solid particles, ensuring that surface fragments do not block the strainer.
- **Lifting eye:**The lifting eye ensures stability when lifting the product.
- **Adapter:**The pump includes an outlet adapter suitable for 1 or 3/4 inch hose or pipe connections.
- **Non-return valve:**SBA has a built-in non-return valve while SB is supplied with a mountable non-return valve.

Selection guide

If the distance from the tank wall to the pump is above 1.5 metres (4.9 feet), select the model with side inlet. If the distance from the tank wall to the pump is less than 1.5 metres (4.9 feet), select the model with inlet strainer.

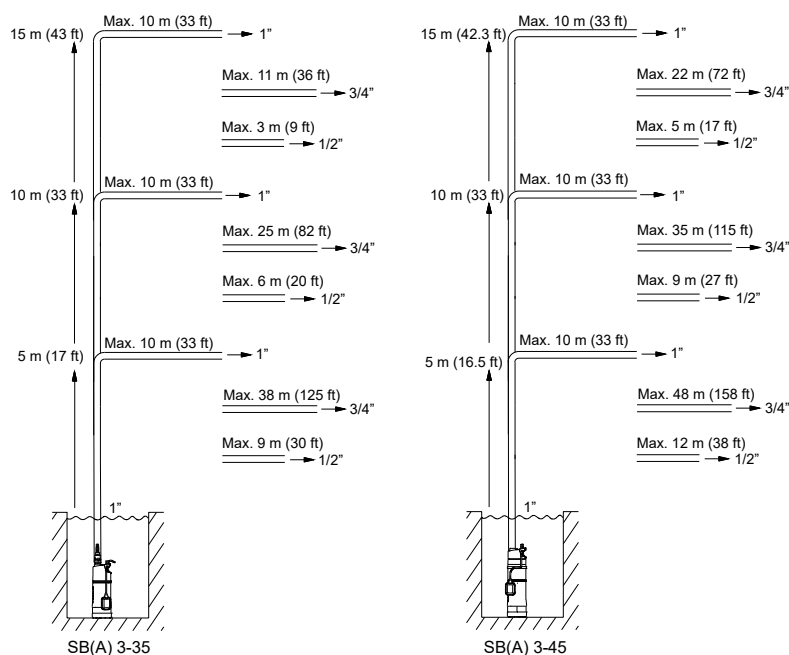
Size recommendation for the most typical applications:

Application	Recommended pump
One-storey house: For toilet flushing, washing machine, car washing and garden watering	SB(A) 3-35
Two-storey house: For toilet flushing, washing machine, car washing and garden watering	SB(A) 3-45

The selection guide below gives an approximate overview of heights with an inner pipe diameter of 25 mm (1 inch). The guide is based on the following assumptions:

- A 1 inch pipe is used from the cistern to the house and up to the point where a pipe of a smaller diameter is used.
- A 1/2 or 3/4 inch pipe is used inside the home.

The guide takes into account the usage of a non-return valve, isolating valve, an extension from smaller to larger pipes and a few 90° bends.



TM082541

	SB(A) 3-35	SB(A) 3-45
Flow rate	3 m ³ /h (13.1 gpm)	3 m ³ /h (13.1 gpm)
Pump head	24 m (79 ft)	29 m (95 ft)

2. Installation

SB, SBA pumps are easy and convenient to install. Once installed and connected to the pipes, all you need to do is switch on the pump.

Location

SB, SBA pumps are ideal for operation in a well or ground tanks as they easily prevent solid particles from entering the pump.

Before the pump is submerged in a well or tank, ensure that the well or tank does contain sand or solid sediment. Ensure that the pump is installed in a frost-free environment.

Ensure that the pipes are installed so that the pump is not exposed to mechanical stress.

Maximum installation depth

Read the label on the product.

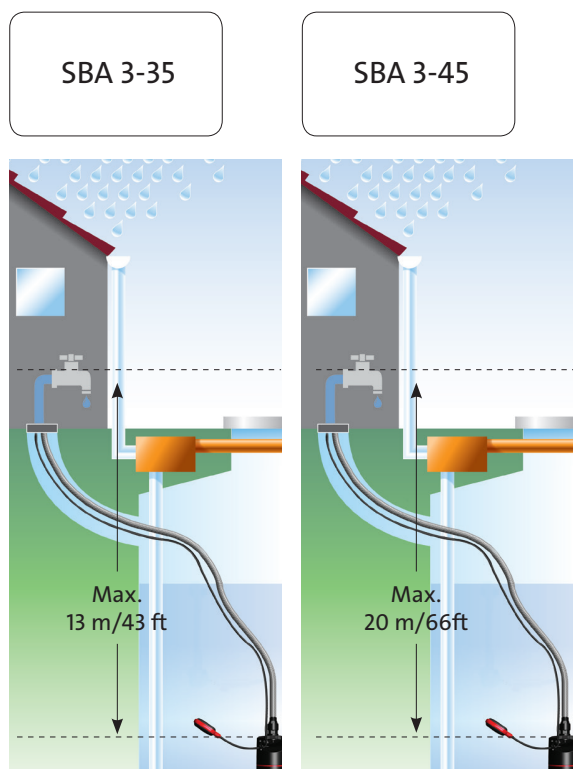
Product	Maximum installation depth
	[m]
SB	10
SBA	10

Highest tapping point for SBA pumps

To ensure proper use of SBA pumps, ensure that they are installed so that the height between the pump and the highest tapping point does not exceed these values:

SBA 3-35: 13 m.

SBA 3-45: 20 m.



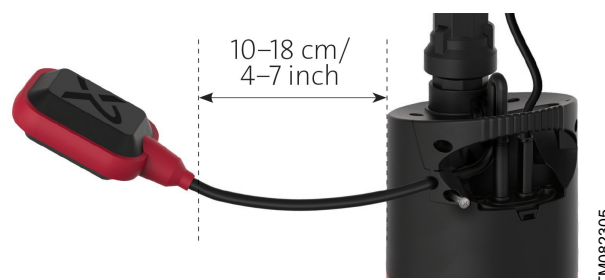
Highest tapping point for SBA

Float switch

The float switch offers automatic operation and dry-run protection. The float switch stops the pump at low water levels, ensuring that surface fragments do not enter the strainer.

The cable length can be adjusted to change the start and stop level.

- A reduced free cable length results in more starts and stops and a small difference in level. The minimum free cable length is 10-18 cm. See the figure below.
- An increased free cable length results in fewer starts and stops and a large difference in level.



Minimum free cable length for float switch

Minimum space

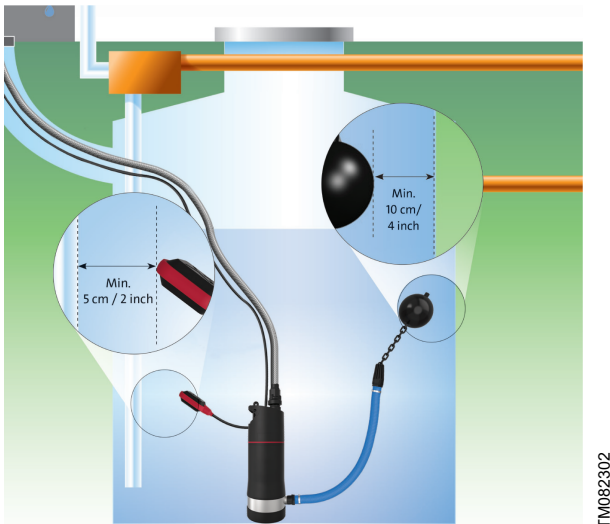
Pumps installed with a float switch require a free space between the float switch and the wall to ensure free movability.

Pumps with side inlet require a free space between the floating inlet strainer and the wall.

If you install the pump in a well or tank, the minimum free space must be as shown in the figure below.

Pumps installed without a float switch require a space that corresponds to the physical dimensions of the pump.

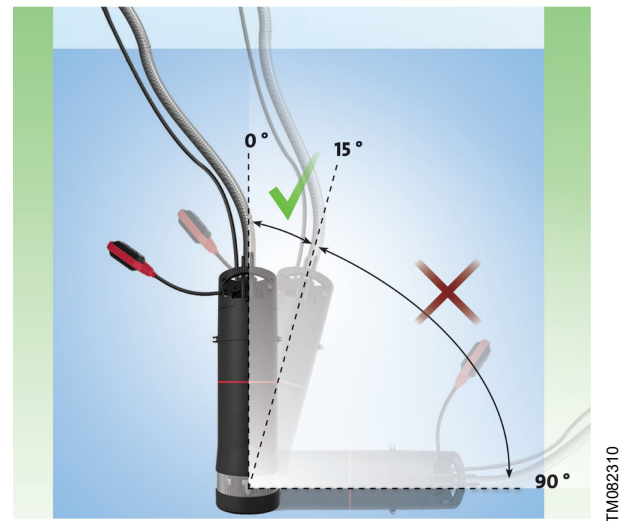
SB and SBA pump with a float switch and side inlet



Minimum space for SB and SBA pump in a well or tank

Pump positioning

The pump can only be installed in vertical position. See the figure below.



Position of SB, SBA pumps

3. SB

Product description



TM082252

Grundfos SB pump is a submersible booster pump for pumping clean water. The pump is especially suitable for rainwater applications and small private wells.

The pump is available in two main versions:

- with integrated inlet strainer with 1 mm / 0.04 inch mesh
- with side inlet which includes a flexible inlet hose with a floating inlet strainer with a 1.5 mm / 0.06 inch mesh.

Both versions are available with or without float switch. The float switch offers stop at low water level which prevents surface fragments from entering the strainer. The SB pump needs an external pump controller, for example, Grundfos Pressure Manager.

Features and benefits

- **Easy installation:** The pump offers quick installation by simply being plug and pump.
- **Noiseless operation:** The pump offers noiseless operation when submerged in a tank or installed underground in a well.
- **High reliability:** The pump is built from composite and stainless-steel materials that are resistant to corrosion. The stainless-steel strainer with 1 mm (0.04 inch) mesh prevents large particles from entering the pump housing.
- **Integrated protection against overheating:** The pump incorporates current- and temperature dependent motor protection. If the pump is blocked or otherwise overloaded, the built-in thermal switch cuts out. When the motor has cooled sufficiently, it restarts automatically. No external motor protection is required.
- **Float switch:** The float switch is used for automatic operation for dry-running protection of the pump. The float switch offers stop at low water level.
- **Floating inlet strainer:** Models featuring a floating inlet strainer draw water from below the water surface where the water is clean and free from solid particles. This has the additional benefit that surface fragments and floating debris will not enter the inlet strainer.
- **Lifting eye:** The lifting eye ensures stability when lifting the product.
- **Adapter:** The pump includes an outlet adapter suitable for 1 or 3/4 inch hose or pipe connections.
- **Non-return valve:** The pump includes a non-return valve.

Type key

Example: SBA 3-35 A 230V 50Hz 15m Schuko, GAS

Code	Explanation	Designation
SBA	SB	Type range
	SBA	
3		Max. flow rate
35	35	Max. head[m]
	45	
A	Integrated inlet strainer with float switch	Model
M	Integrated inlet strainer without float switch	
AW	Side inlet with float switch	
MW	Side inlet without float switch	
230 V	115 V	Voltage
	230 V	
50 Hz	50 Hz	Frequency
	60 Hz	
15 m		Cable length
Schuko	Schuko	Cable plug
	NEMA	
	AUS	
	No plug	
GAS	NPT	Thread
	G1	

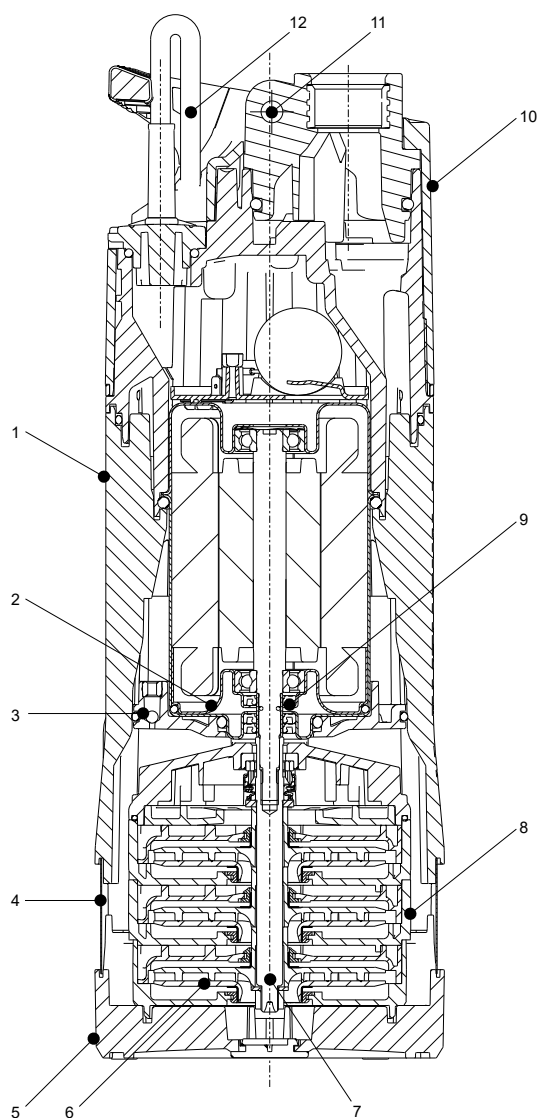
Approvals and markings

SB and SBA pumps have the following approvals and markings:

Approvals



Construction



TM082640

Pos.	Component	Material
1	Pump housing	Polypropylene (PP30GF)
2	Stator housing	Stainless steel (EN 1.4301/ AISI 304)
3	Venting ball valve	
4	Strainer ¹⁾ Inlet collar ²⁾	Stainless steel (EN 1.4301/ AISI 304)
5	Base	Polypropylene (PP30GF)
6	Impeller	Polypropylene (PP30GF)
7	Wetted part of shaft	Stainless steel (EN 1.4301/ AISI 304)
8	Chamber/diffusor	Polypropylene (PPO20GF)
9	Shaft	Stainless steel (EN 1.4401/ AISI 416)
10	Cover	Polypropylene (PP30GF)
11	Lifting eye	-
12	Cable	Neoprene H07RN-F
-	O-rings	NBR

¹⁾ Only fitted on models with integrated inlet strainer.

²⁾ Only fitted on models with floating inlet strainer.

Pump housing and base

The product offers a water-resistant and lightweight technopolymer pump housing that operates fully submerged as the motor is cooled by the pumped media.

Shaft seal

The shaft seal includes both stationary and rotating parts made from carbon, ceramics and NBR rubber.

Venting ball valve

The venting ball valve removes accumulated air from the hydraulics.

Impeller

The open-impeller design ensures free passage of solids up to $\varnothing 2.8$.

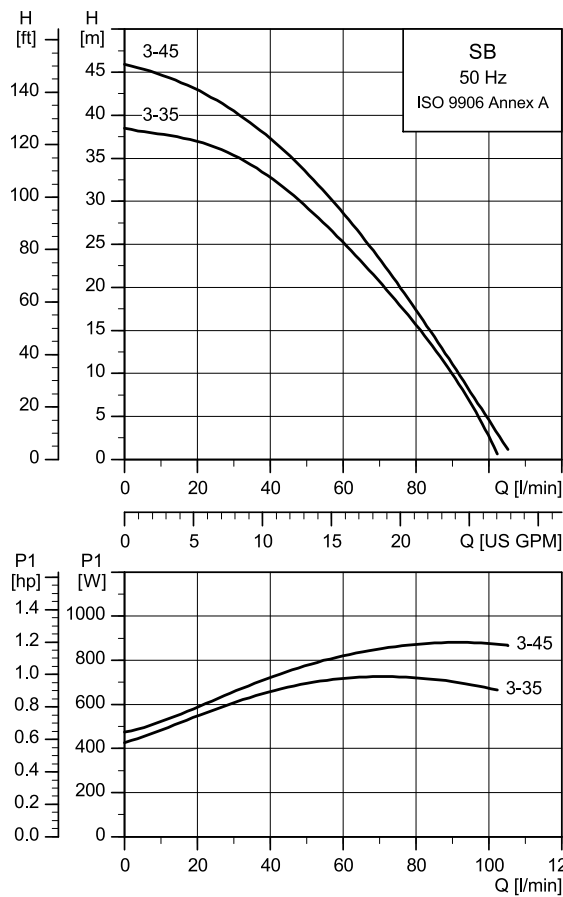
Strainer

Liquid enters the pump either through the integrated inlet strainer that prevent the passage of larger solids, or through the side inlet that includes a flexible inlet hose featuring a floating inlet strainer.

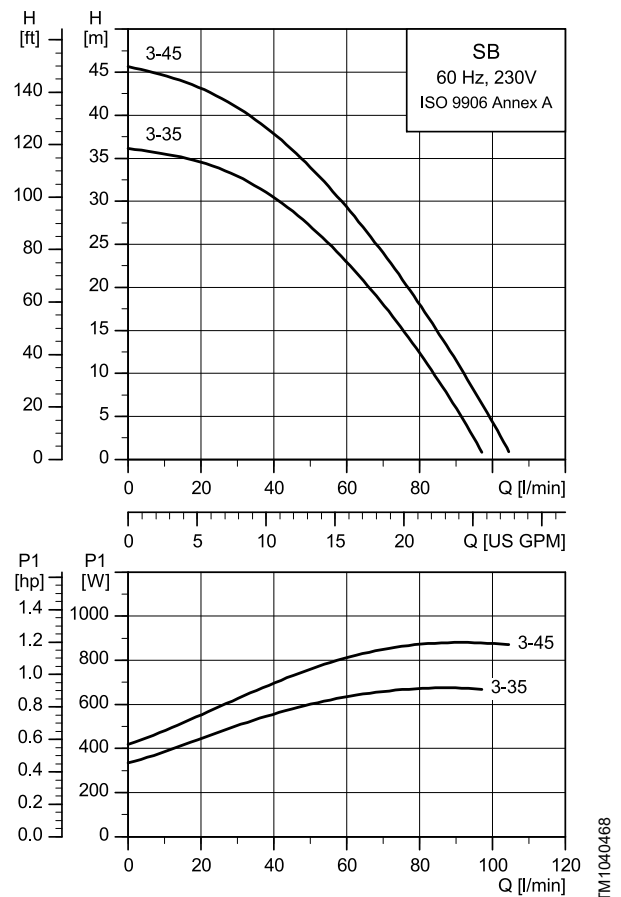
Motor

The motor is a continuous-duty, submersible induction motor. The stator is fitted in an airtight stainless-steel motor housing with encased cabling, microswitch and capacitor. The rotor is mounted on oversized, greased and sealed-for-life ball bearings selected to guarantee silent operation and long life. The pump has built-in thermal current overload protection and a capacitor that is permanently in circuit in the single-phase version.

Performance curves, SB 50 Hz



Performance curves, SB 60 Hz



Electrical data

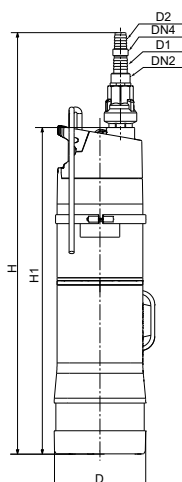
SB	Voltage [V]	Frequency [Hz]	P1 [kW]	P2 [kW]	I _{1/1} [A]
3-35	1 × 230	50	0.75	0.47	3.5
3-45			0.90	0.55	4.0
3-35	1 × 115	60	0.75	0.45	7.0
3-45			1.00	0.62	9.5
3-35	1 × 230	60	0.75	0.47	3.5
3-45			0.90	0.55	4.0

Operating conditions

Max. flow rate	3 m ³ /h (13.2 gpm)
Liquid temperature	0-40 °C (32-104 °F)
Storage temperature	-10 to +40 °C (14-104 °F)
Max. system pressure	6 bar (87 psi)
Max. starts per hour	20
Max. installation depth	10 m (32.81 ft) below water level
Enclosure class	IPX8
Insulation class	F
Supply cable length	15 m (49.2 ft)

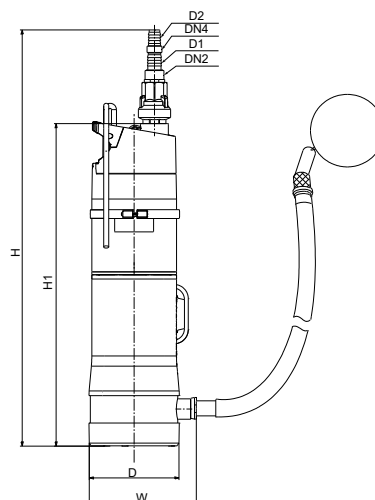
Dimensions

Model with integrated inlet strainer



TM082660

Model with floating inlet strainer



TM082661

Pump type	H	H1	W	D	D1	D2	DN2	DN4
	mm[inch]	mm[inch]	mm[inch]	mm[inch]	mm[inch]	mm[inch]		
SB 3-35	617 [24]	451 [18]	180 [7]	160 [6]	25 [1]	18 [0.7]	NPT / G 1"	NPT / G 3/4"
SB 3-45	617 [24]	451 [18]	180 [7]	160 [6]	25 [1]	18 [0.7]	NPT / G 1"	NPT / G 3/4"

Product range SB

Pump type	Frequency	Product number	Voltage[V]	Plug type	Float switch	Floating inlet strainer	Net weight[kg]
SB	50 Hz	92712333	230 V	Schuko	✓	-	12.2
		92712336	230 V	Schuko	-	✓	12.7
		92712331	230 V	Schuko	-	-	12
		92712335	230 V	Schuko	-	✓	12.5
		92712964	230 V	AUS	✓	-	12.2
		92712908	230 V	AUS	✓	✓	12.7
		92712340	230 V	Schuko	✓	-	12.2
		92712346	230 V	Schuko	✓	✓	12.7
		92712338	230 V	Schuko	-	-	12
	92712343	230 V	Schuko	-	✓	12.5	
	92712911	230 V	AUS	✓	-	12.2	
	92712919	230 V	AUS	✓	✓	12.7	
	92712968	230 V	No plug	✓	-	12.2	
	92712969	230 V	No plug	✓	✓	12.7	
	92712938	115 V	NEMA	✓	-	12.1	
	92712980	230 V	No plug	✓	-	12.2	
	92712981	230 V	No plug	✓	✓	12.7	
	92712944	115 V	NEMA	✓	-	12.1	
92712298	115 V	NEMA	-	-	12		

4. SBA

Product description



TM082251

Grundfos SBA is a complete all-in-one submersible booster pump for pumping clean water. The pump is especially suitable for rainwater applications and small private wells. It comes with an integrated control unit, eliminating the need for an external pump controller.

The pump is available in two versions:

- with integrated inlet strainer with 1 mm / 0.04 inch mesh
- with side inlet which includes a flexible inlet hose with a floating inlet strainer with a 1.5 mm / 0.06 inch mesh.

Both variants are available with or without float switch. The float switch enables the pump to stop during low water levels which prevents surface fragments from entering the strainer.

Features and benefits

- All-in-one units with no external control unit.
- **Easy installation:**The pump offers quick installation by simply being plug and pump.
- **Noiseless operation:**The pump offers noiseless operation when submerged in a tank or installed underground in a well.
- **High reliability:**The pump is built from composite and stainless-steel materials that are resistant to corrosion. The stainless-steel strainer with 1 mm (0.04 inch) mesh prevents large particles from entering the pump housing.
- **Integrated protection against overheating:**The pump incorporates current- and temperature-dependent motor protection. If the pump is blocked or otherwise overloaded, the built-in thermal switch cuts out. When the motor has cooled sufficiently, it restarts automatically. No external motor protection is required.
- **Dry-running protection with automatic restart:**The integrated built-in control unit of SBA incorporates dry-running protection with automatic stop and restart.
- **Float switch:**The float switch is used for automatic operation for dry-running protection of the pump. The float switch offers stop at low water level.
- **Floating inlet strainer:**Models featuring an inlet strainer draw water from below the water surface where the water is clean and free from solid particles, ensuring that surface fragments do not block the strainer.
- **Lifting eye:**The lifting eye ensures stability when lifting the product.
- **Adapter:**The pump includes an outlet adapter suitable for 1 or 3/4 inch hose or pipe connections.

Type key

Example: SBA 3-35 A 230V 50Hz 15m Schuko, GAS

Code	Explanation	Designation
SBA	SB	Type range
	SBA	
3		Max. flow rate
35	35	Max. head[m]
	45	
A	Integrated inlet strainer with float switch	Model
M	Integrated inlet strainer without float switch	
AW	Side inlet with float switch	
MW	Side inlet without float switch	
230 V	115 V	Voltage
	230 V	
50 Hz	50 Hz	Frequency
	60 Hz	
15 m		Cable length
Schuko	Schuko	Cable plug
	NEMA	
	AUS	
	No plug	
GAS	NPT	Thread
	G1	

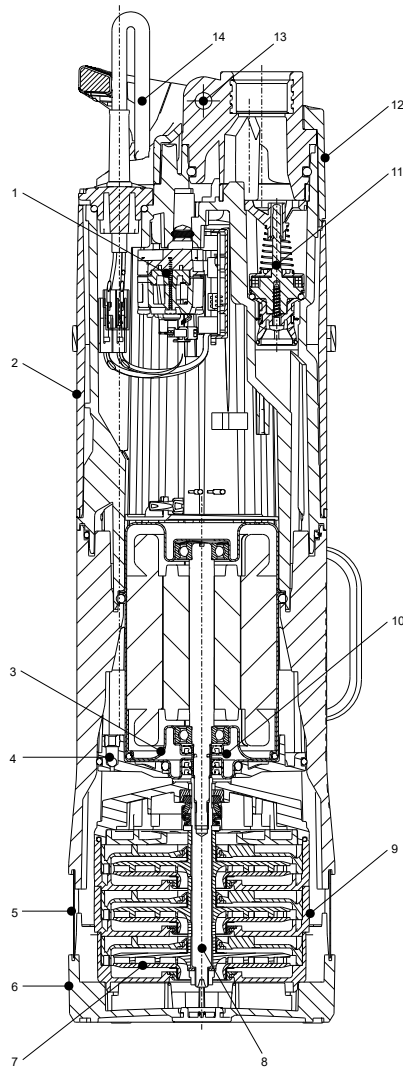
Approvals and markings

SB and SBA pumps have the following approvals and markings:

Approvals



Construction



TM082641

Pos.	Component	Material
1	Built-in controller	
2	Pump housing	Polypropylene (PP30GF)
3	Stator housing	Stainless steel (EN 1.4301/ AISI 304)
4	Venting ball valve	
5	Strainer ³⁾ Inlet collar ⁴⁾	Stainless steel (EN 1.4301/ AISI 304)
6	Base	Polypropylene (PP30GF)
7	Impeller	Polypropylene (PP30GF)
8	Wetted part of shaft	Stainless steel (EN 1.4301/ AISI 304)
9	Chamber/diffusor	Polypropylene (PPO20GF)
10	Shaft	Stainless steel (EN 1.4401/ AISI 416)
11	Non-return valve	
12	Cover	Polypropylene (PP30GF)
13	Lifting eye	
14	Cable	Neoprene H07RN-F
-	O-rings	NBR

3) Only fitted on models with integrated inlet strainer.

4) Only fitted on models with floating inlet strainer.

Pump housing and base

The product offers a water-resistant and lightweight technopolymer pump housing that operates fully submerged as the motor is cooled by the pumped media.

Shaft seal

The shaft seal includes both stationary and rotating parts made from carbon, ceramics and NBR rubber.

Venting ball valve

The venting ball valve removes accumulated air from the hydraulics.

Impeller

The open-impeller design ensures free passage of solids up to $\varnothing 2.8$.

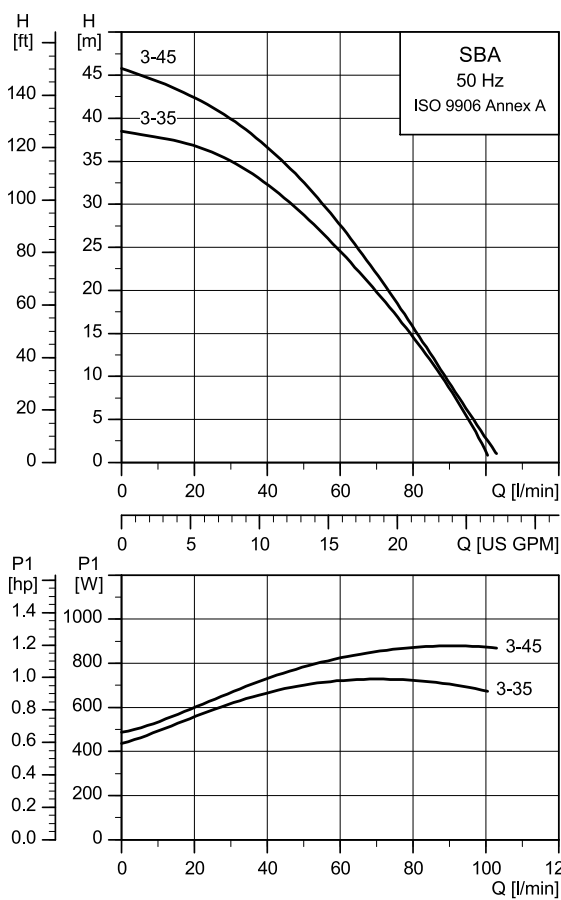
Strainer

Liquid enters the pump either through the integrated inlet strainer that prevent the passage of larger solids, or through the side inlet that includes a flexible inlet hose featuring a floating inlet strainer.

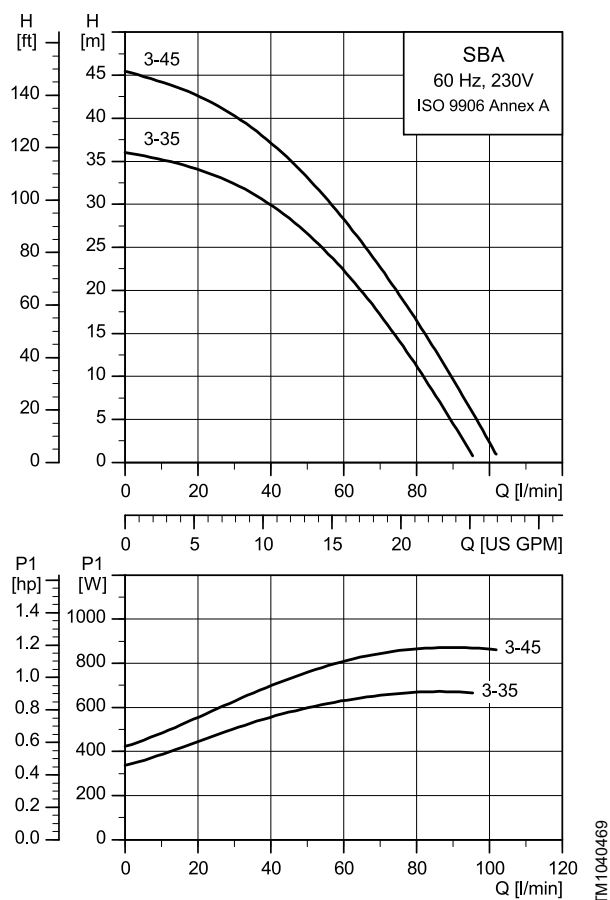
Motor

The motor is a continuous-duty, submersible induction motor. The stator is fitted in an airtight stainless-steel motor housing with encased cabling, microswitch and capacitor. The rotor is mounted on oversized, greased and sealed-for-life ball bearings selected to guarantee silent operation and long life. The pump has built-in thermal current overload protection and a capacitor that is permanently in circuit in the single-phase version.

Performance curves, SBA 50 Hz



Performance curves, SBA 60 Hz



Electrical data

SBA	Voltage [V]	Frequency [Hz]	P1 [kW]	P2 [kW]	I _{1/1} [A]	rpm
3-35	1 × 230	50	0.75	0.47	3.5	2800
3-45			0.90	0.55	4.0	2800
3-35	1 × 115	60	0.75	0.45	7.0	3400
3-45			1.00	0.62	9.5	3400
3-35	1 × 230	60	0.75	0.47	3.5	3400
3-45			0.90	0.55	4.0	3400

Operating conditions

Max. flow rate	3 m ³ /h (13.2 gpm)
Min. flow rate	1 l/min (0.26 gpm)
Liquid temperature	0-40 °C (32-104 °F)
Storage temperature	-10 to +40 °C (14-104 °F)
Max. system pressure	6 bar (87 psi)
Max. starts per hour	20
Max. installation depth	10 m (32.81 ft) below water level
Enclosure class	IPX8
Insulation class	F
Supply cable length	15 m (49.2 ft)

Starting conditions

The pump starts when one of the following conditions is fulfilled:

- The flow rate is higher than the minimum flow rate.
- The pressure is lower than the start pressure.

Stopping conditions

The pump stops with a time delay of 10 seconds when the flow rate is lower than the minimum flow rate.

Automatic restart of SBA pumps

Pumps with a float switch automatically restart when water is added. Pumps without a float switch attempt to restart every 24 hours.

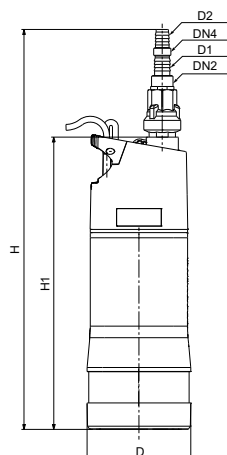
Start pressure

Pump	Start pressure	Max. height between pump and tap ⁵⁾
SBA 3-35	1.5 bar (0.15 MPa)	13 m (42.65 ft)
SBA 3-45	2.4 bar (0.22 MPa)	20 m (65.62 ft)

⁵⁾ Install the pump so that the height between the pump and the highest tapping point does not exceed the maximum height.

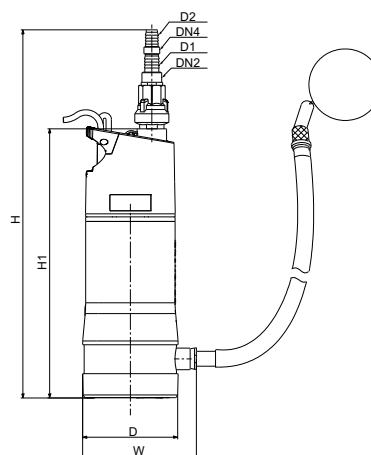
Dimensions

Model with integrated inlet strainer



TM082677

Model with floating inlet strainer



TM082678

Pump type	H	H1	W	D	D1	D2	DN2	DN4
	mm[inch]	mm[inch]	mm[inch]	mm[inch]	mm[inch]	mm[inch]		
SBA 3-35	664 [26]	571 [22]	180 [7]	160 [6]	25 [1]	18 [0.7]	NPT / G 1"	NPT / G 3/4"
SBA 3-45	664 [26]	571 [22]	180 [7]	160 [6]	25 [1]	18 [0.7]	NPT / G 1"	NPT / G 3/4"

Product range SBA

Pump type	Frequency	Product number	Voltage[V]	Plug type	Float switch	Floating inlet strainer	Net weight[kg]
SBA	50 Hz	92713060	230 V	Schuko	✓	-	13.2
		92713065	230 V	Schuko	✓	✓	13.7
		92713049	230 V	Schuko	-	-	13
		92713062	230 V	Schuko	-	✓	13.5
		92713105	230 V	No plug	✓	-	13.2
		92713107	230 V	No plug	✓	✓	13.7
		92713104	230 V	No plug	-	-	13
		92713106	230 V	No plug	-	✓	13.5
		92713166	230 V	AUS	✓	-	13.2
		92713068	230 V	Schuko	✓	-	13.2
		92713101	230 V	Schuko	✓	✓	13.7
		92834170	230 V	Schuko	-	-	13
		92713100	230 V	Schuko	-	✓	13.5
		92713120	230 V	No plug	✓	-	13.2
		92713123	230 V	No plug	✓	✓	13.7
		92713108	230 V	No plug	-	-	13
		92713122	230 V	No plug	-	✓	13.5
		92713133	230 V	AUS	✓	-	13.2
		92713164	230 V	No plug	✓	-	13.2
		92713196	230 V	No plug	✓	✓	13.7
		92713152	115 V	NEMA	✓	-	13.2
92713155	115 V	NEMA	✓	✓	13.7		
92713154	115 V	NEMA	-	✓	13.5		
92713197	115 V	No plug	✓	-	13.2		
92713200	115 V	No plug	✓	✓	13.7		
92713157	115 V	NEMA	✓	-	13.2		
92713162	115 V	NEMA	✓	✓	13.7		
92713158	115 V	NEMA	-	✓	13.5		
92713241	230 V	NEMA	✓	-	13.2		

5. Accessories

Suction kit with floating strainer



The suction kit enables collection of water from the clean mid-layer of the well or tank. When lifting water from a well or an underground storage tank, the water is typically cleanest in the mid-level of the well. Dirt and debris can accumulate on the bottom, and impurities can gather on the surface.

See the different suction kit variants below:

Product number	Type
98394164	Suction Blue 1M D25 THR. 1" GAS BOX
98394165	Suction Blue 1M D25 THR. 1" NPT BOX
97709360	Suction Blue 1M D25 THR. 1" GAS BULK
97709371	Suction Blue 1M D25 THR. 1" NPT BULK

The kit includes the following items:

- Hose
- ball
- foot valve
- connection.

Item	Description
Hose length	1000 mm
Ball diameter	150 mm
Foot valve material	Polypropylene
Connection	1"
Hose material	PVC

6. Grundfos Product Center

Online search and sizing tool to help you make the right choice.

From the international view, you can select your specific country to view the product range available to you.

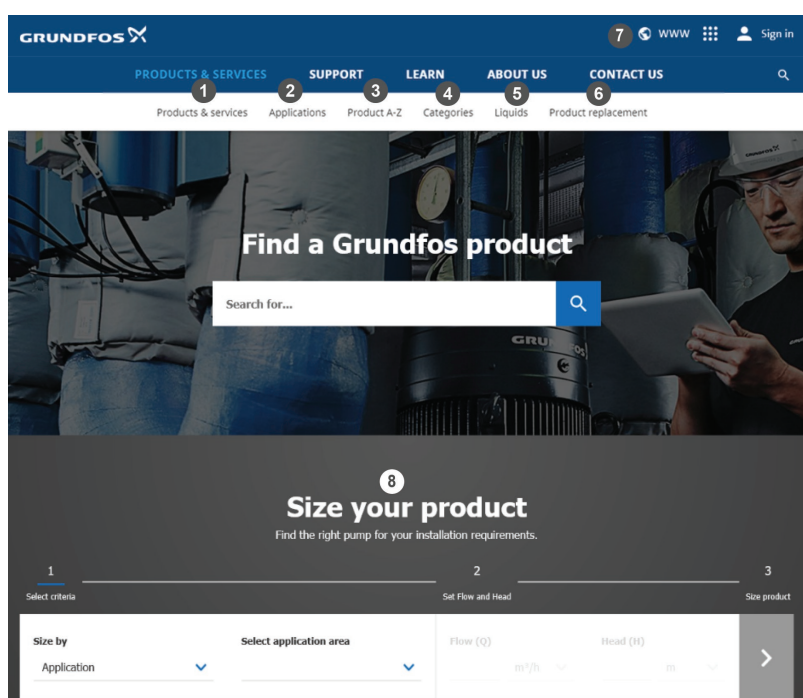
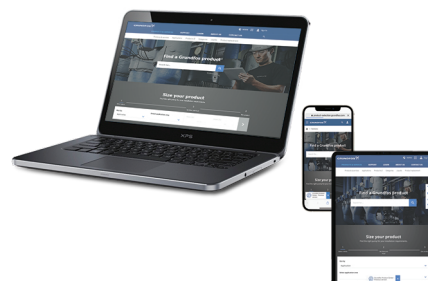
International view: <http://product-selection.grundfos.com>

All the information you need in one place

Performance curves, technical specifications, pictures, dimensional drawings, motor curves, wiring diagrams, spare parts, service kits, 3D drawings, documents, system parts. The Product Center displays any recent and saved items - including complete projects - right on the main page.

Downloads

On the product pages, you can download installation and operating instructions, data booklets, service instructions, etc., in PDF format.



When you select your country, you will see the menus below. Note that some menus may not be available depending on the country.

Example: <https://product-selection.grundfos.com/uk>

Pos.	Description
1	Products & services enables you to find products and documents by typing a product number or name into the search field.
2	Applications enables you to choose an application to see how Grundfos can help you design and optimise your system.
3	Products A-Z enables you to look through a list of all the Grundfos products.
4	Categories enables you to look for a product category.
5	Liquids enables you to find pumps designed for aggressive, flammable or other special liquids.
6	Product replacement enables you to find a suitable replacement.
7	WWW enables you to select the country, which changes the language, the available product range and the structure of the website.
8	Sizing enables you to size a product based on your application and operating conditions.

92779161 06.2023

ECM: 1369618

GRUNDFOS Holding A/S
Poul Due Jensens Vej 7
DK-8850 Bjerringbro
Tel: +45 87 50 14 00
www.grundfos.com

GRUNDFOS 