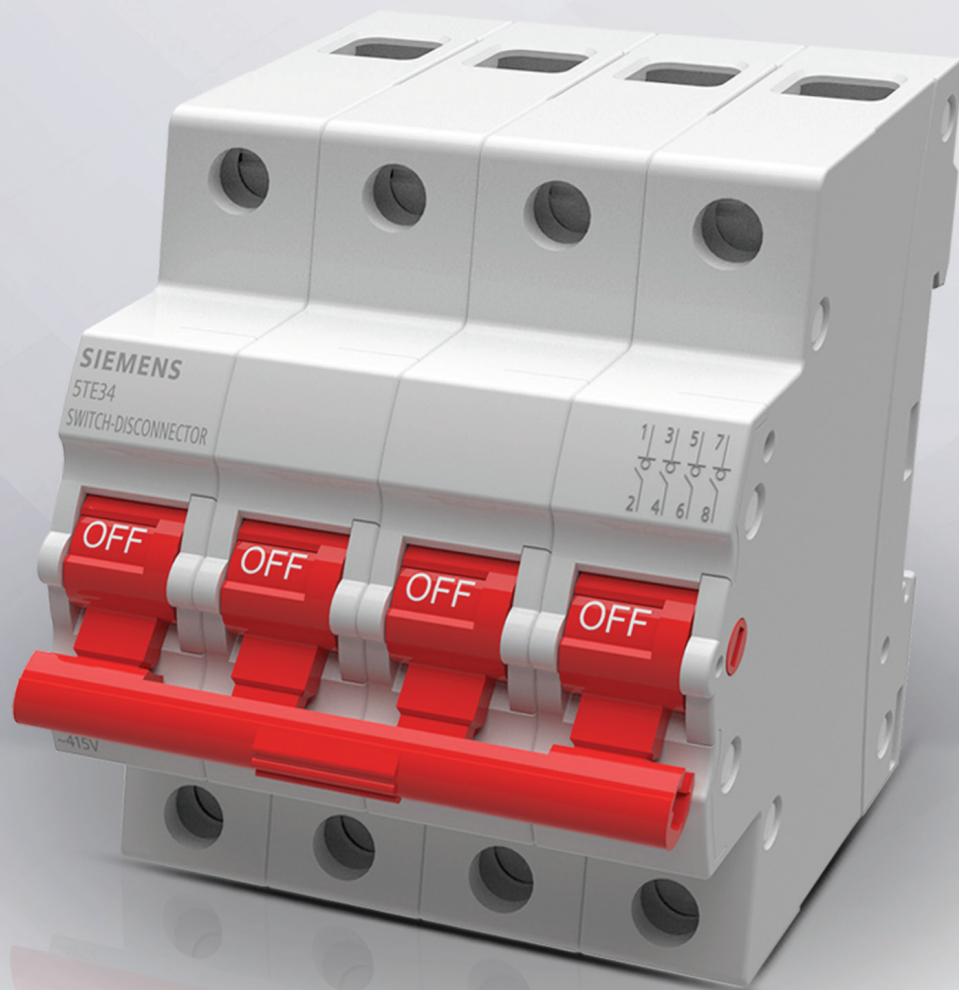


SIEMENS



# | 5TE Switch Disconnecter

Safety Reassured

# 5TE3 Switch Disconnecter

## 5TE3 Switch Disconnecter

Isolator are used to switch lighting, motors and other electrical devices. They can be used as switch disconnectors according to IEC/EN 60947-3.

### Key Features -



**Heavy Duty -**  
Conforms to utilization category AC22A



**High Endurance Cycle -**  
Ensuring efficient and long life of your Isolator



**Safe during Short circuits -**  
short circuit withstand capacity > 12xIn



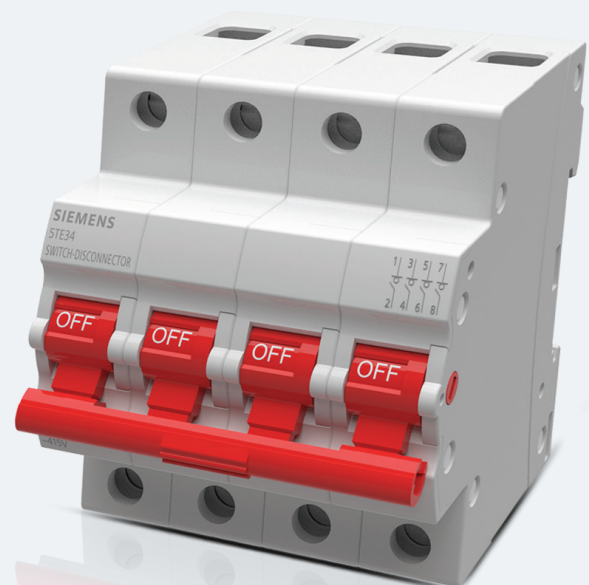
**Standard compliant -**  
Product conforms to IEC 60947-3



**Low Power consumption -**  
Ensures better current carrying capacity



**RoHS compliant -**  
silicon and CFC free

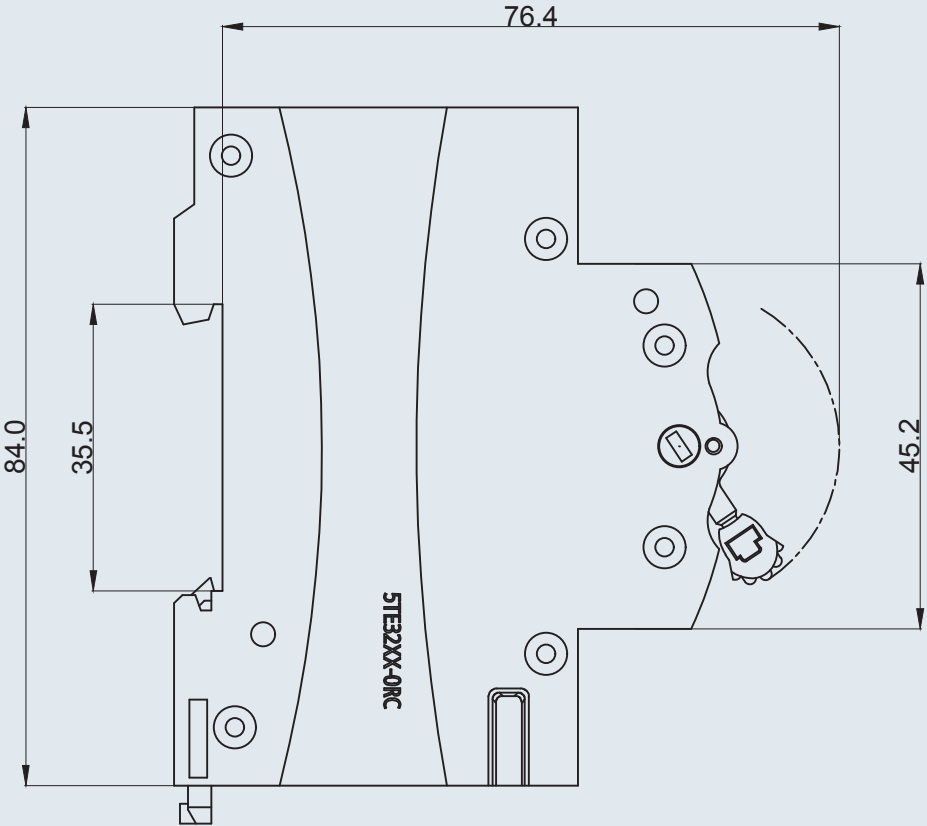
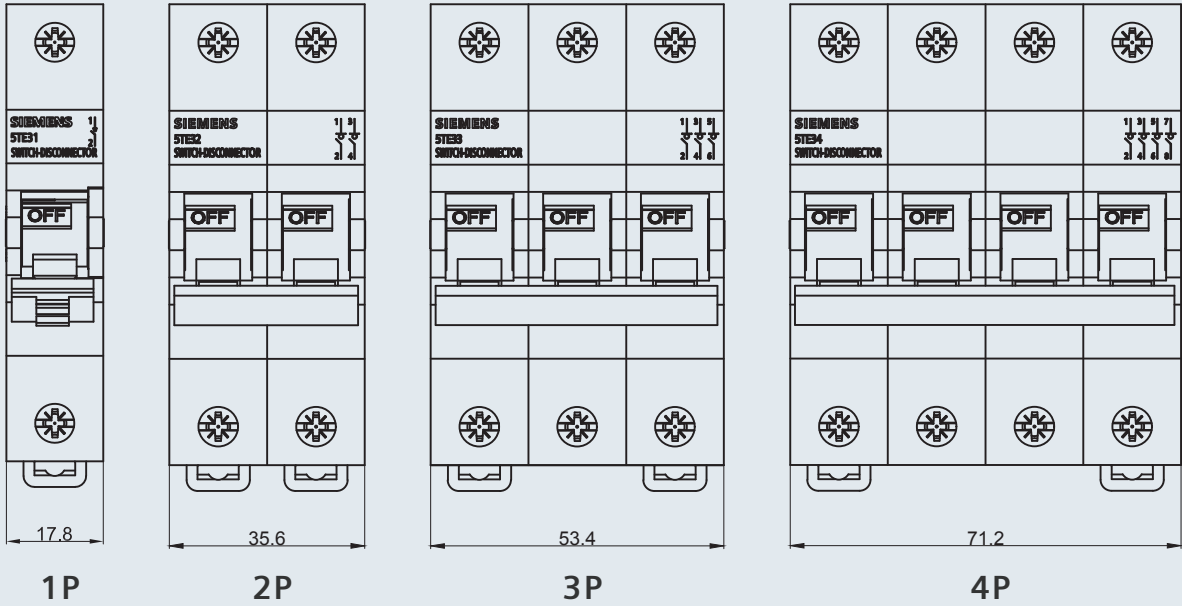


## Switch Disconnecter

### Technical Specification – 5TE3

Type	5TE3 - Switch-disconnector					
	25A	40A	63A	80A	100A	125A
Standards	IEC 60947-3					
Rated Voltage Un V AC	1P - 240V / 2P, 3P, 4P - 415V					
Rated Power dissipation Pv -- Per pole max	2.3	2.3	2.5	5.5	5.5	5.5
Current Rating	25A	40A	63A	80A	100A	125A
Breaking capacity						
• Short circuit withstand capacity Icw	300	480	756	960	1200	1500
• Short circuit making capacity Icm	500	800	1200	1500	1800	2200
• Rated Insulation voltage V AC	660					
Rated frequency Hz	50/60					
Utilization category	AC- 22A, DC-21B					
Overvoltage category	III					
Pollution degree	3					
Impulse withstand voltage	4kV					
Degree of protection Acc. to EN 60529	IP 20					
Endurance in cycles						
Mechanical	10000			10000		
Electrical	2000			2000		
CFC and silicone-free	Yes					
Touch protection Acc. to EN 50274	Yes					
Handle end position, sealable	Yes					
RoHS complaint	Yes					
Terminals Screw (Pozidriv)						
• Combined terminals at both ends	Yes					
• Terminal tightening torque N-m	2.5 - 3					
Conductor cross-sections						
• Solid and stranded mm <sup>2</sup>	1.0mm---35Sq.mm			1.0mm---50Sq.mm		
Ambient temperature °C	-5° to 55°C					
Storage temperature °C	-5° to 55°C					

# Dimensional Drawing of 5TE3



# Switch Disconnectors

## Selection and ordering data

	In (A)	(MW)	Reference no	Std.Pkg.** (Nos.)
1P, 240V AC 	25	1	5TE3125-ORC	1/12
	40		5TE3140-ORC	1/12
	63		5TE3163-ORC	1/12
	80		5TE3180-ORC	1/12
	100		5TE3191-ORC	1/12
	125		5TE3192-ORC	1/12
2P, 415V AC 	25	2	5TE3225-ORC	1/6
	40		5TE3240-ORC	1/6
	63		5TE3263-ORC	1/6
	80		5TE3280-ORC	1/6
	100		5TE3291-ORC	1/6
	125		5TE3292-ORC	1/6
3P, 415V AC 	25	3	5TE3325-ORC	1/4
	40		5TE3340-ORC	1/4
	63		5TE3363-ORC	1/4
	80		5TE3380-ORC	1/4
	100		5TE3391-ORC	1/4
	125		5TE3392-ORC	1/4
4P, 415V AC 	25	4	5TE3425-ORC	1/3
	40		5TE3440-ORC	1/3
	63		5TE3463-ORC	1/3
	80		5TE3480-ORC	1/3
	100		5TE3491-ORC	1/3
	125		5TE3492-ORC	1/3

# Your partners

## Sales offices:

### Ahmedabad

3rd Floor, Prerna Arbour  
Girish Coldrinks Cross Roads, Navrangpura  
Ahmedabad - 380 009  
☎ : +91 79 30927600  
Fax: +91 79 30927699

### Baroda

Ground Floor, Urja Bhavan  
Opp. Makarpura Railway Station, Maneja  
Vadodara - 390 013  
☎ : +91 265 3957701  
Fax: +91 265 3039190

### Bengaluru

1st Floor, Jyoti Mahal, No. 49, St. Marks Rd.  
Bengaluru - 560 001  
☎ : +91 80 33422000  
Fax: +91 80 33424131

### Bhubaneswar

Unit: 1102 & 1103, DLF Cyber City  
Chandaka Industrial Estate, Patia, Bhubaneswar  
Odisha - 751024

### Chandigarh

SCO 188/191, 3rd Floor, Sector-17 C  
Chandigarh - 160 017  
☎ : +91 172 4690300  
Fax: +91 172 4690399

## Territory managers:

### Agra

F7B, ACR Desire Appartment  
Near Kargil Petrol Pump, Sikandra  
Agra - 282007, U.P.  
Mobile: +91 9852590333  
E-mail: jain.nitin@siemens.com

### Aurangabad

Mobile: +91 9673333024  
E-mail: brajesh.rathor@siemens.com

### Belgavi

Flat no-201, 2nd Floor, Harimanor Apartment  
1st Cross- Bhagya Nagar, Angol Extension, Belgavi  
Karnataka 590006  
Tel.: +91 0831 2495156  
Mobile: +91 9740277991  
E-mail: anand.gawade@siemens.com  
Mobile: +91 8105254395  
E-mail: siddu.mareguddi@siemens.com

### Bharuch

Gold B, 804, Samruddhi Residency  
Opp. Zadeshwar Bus Stop, Zadeshwar Road  
Bharuch - 392011  
Mobile: +91 9429037805  
E-mail: kalpeshkumar.darji@siemens.com

### Bhilai

C/o. Mr. Anil Dhusia  
Qtr No. 4A, Street 33, Sector - 4  
Bhilai - 490001  
Mobile: +91 7869922211  
E-mail: pravin.deshbhatar@siemens.com

### Bhopal

Flat No. 101, Multi "E"Star  
Sagar Royal Villas, Hoshangabad Road  
Bhopal (MP) - 462026  
Mobile: +91 9677400915  
E-mail: dinesh.prajapati@siemens.com

### Boisar

Flat No. A-21, Sai Sagar CHS, MAHADA Colony  
Chitrayalaya Road, Boisar - 401506  
Mobile: +91 9819231892  
E-mail: debashis.biswas@siemens.com

### Cochin

Jomer Symphony, 33/2317, 5th Floor  
Chalikkavattom, Ponnuranni North, Vyttila  
Kochi - 682019  
Tel.: +91 402861122  
Mobile: +91 9656690111  
E-mail: vinu.pillai@siemens.com

### Durgapur

6/15, Bengal Ambuja  
(Near Durgapur Cinema Hall), Citi Centre  
Durgapur - 713216  
Mobile: +91 9051020207  
E-mail: sayantan.ghosh@siemens.com

### Gandhidham

Plot No. 299, Ward 3A, Adipur  
Gandhidham - 370205, Gujarat  
Mobile: +91 9099010323  
E-mail: Vismay.pandya@siemens.com

### Gorakhpur

Flat No. 38, 3rd Floor, Plot No. 298  
Near Sawatri Hosiptal, Purdilpur, Vijay Chowk  
Gorakhpur - 273001, UP  
Mobile: +91 917800960310  
E-mail: tiwari.mayank@siemens.com

### Guwahati

Shivalaya Housing Society, Flat No. B3A  
Bylane 4, Joymati Nagar, Adabari, Pandu  
Guwahati - 781012  
Mobile: +91 9864110684  
E-mail: bipal.datta@siemens.com

### Chennai

4th Floor, ETA Mount Central  
Seethakathi Business Centre, Mount Road  
Chennai - 600006  
☎ : +91 44 30474000  
Fax: +91 44 30474080

### Coimbatore

1st Floor, "Senthil Towers", 1078, Avinashi Road  
Coimbatore - 641018  
☎ : +91 422 3076300  
Fax: +91 422 3076310

### Gurgaon

Plot No. - 78, Tower - B  
Jagatjit Industries Building (JIL)  
Opposite SBI Academy, Sector-18  
Gurgaon - 122015  
☎ : +91 124 2842000, 3810200

### Hyderabad

5-9-19, 4th & 5th Floor, Laxmi Narasinh Estate  
Opp. Secretariat Road, Saifabad  
Hyderabad - 500 004  
☎ : +91 40 30922500  
Fax: +91 40 30923145

### Haridwar

Flat No. 204, Shiv Asthaly Appartment  
Purshotyam Vihar, Kankhal, Haridwar - 249408  
Mobile: +91 9889384222  
E-mail: umesh.pandey@siemens.com

### Hospet

#727, Lakshmi Narasimha Nilaya  
Near Surbhi Kalyana Mantapa, Amaravathi  
Hospet - 583203  
Mobile: +91 9741114877  
E-mail: naveen.sn@siemens.com

### Hosur

Plot No. 12 Vishnu Anandam Galaxy  
Chittanapalli Nallur Village, Hosur - 635109  
Mobile: +91 8971200266  
E-mail: dinesh.rajaian@siemens.com

### Hubli

Plot No. 8, Abhi Nilay, Manjunath Nagar  
Gokul Road, Hubli - 30, Karnataka  
Mobile: +91 9945961052  
E-mail: kiran.kage@siemens.com

### Jalandhar

H.No. 140, Ground Floor, Defence Colony  
Jalandhar, Punjab - 144001  
Mobile: +91 8427979870  
E-mail: himanshu.kaushik@siemens.com

### Jodhpur

A-240, Shastri Nagar, Jodhpur - 342003  
Mobile: +91 9929110493  
E-mail: rajendra.kabra@siemens.com

### Kanpur

Flat No.702, Pushpi Apartments  
Sharda Nagar, Kanpur - 208025, UP  
Mobile: +91 8650404404  
E-mail: shashibhushan.prasad@siemens.com

### Khopoli

Samarthanagar Co-op Hsg. Soc.  
Mogalwadi Road, Khopoli  
Taluka - Khalapur, Dist. Raigad - 410 203  
Mobile: +91 9867748975  
E-mail: deshpande.sachin@siemens.com

### Kolhapur

RS No. 84-1, Pinac Prasad, Flat No. A-35  
New Palace Road, Kolhapur - 416006  
Mobile: +91 9850836839  
E-mail: vinay.todkar@siemens.com

### Kota

406, Manglayatan Appartment  
Near Jain Temple, Bhimganj Mandi  
Kota - 324002  
Mobile: +91 9828419111  
E-mail: avinash.mathur@siemens.com

### Ludhiana

H.No. 1858, First Floor, Sector - 32 A  
Ludhiana - 141008, Punjab  
Mobile: +91 9876047929  
E-mail: sunil.singla@siemens.com

### Ludhiana

R-115, Near DAV School  
Sarabha Nagar Ext Ph-2, Pakhowal Road  
Ludhiana, Punjab - 142022  
Mobile: +91 9888484066  
E-mail: padam.sharma@siemens.com

### Madurai

Anirudh block, F-Top 3, Vasudhara Apartment  
84, TPK Main Road, Andalpuram  
Madurai - 625 003, Tamil Nadu  
Mobile: +91 9894617776  
E-mail: sivaprakasam.m@siemens.com

### Jaipur

International Business Center, K14 First Floor  
Ashok Marg, Ashok Nagar, C Scheme  
Jaipur - 302001  
☎ : +91 141 5152108  
Fax: +91 141 2370482

### Jamshedpur

"Roshan Tower", Main Road, Bistupur (2nd Floor)  
Jamshedpur - 831001  
☎ : +91 657 6682201

### Kolkata

3rd Floor, 43, Shanti Palli  
Rashbihari Bypass Connector  
Kolkata - 700042, India  
☎ : +91 33 30939000  
Fax: +91 33 30939010

### Lucknow

510-511, 5th Floor, Shalimar Titanium  
Plot No. T.C.G-1/1, Vibhuti Khand  
Gomti Nagar, Lucknow  
Uttar Pradesh 226010  
☎ : +91 522 4031039

### Maraimalainagar

No.11, Ambedkar Street, SRS Buildings, Upstairs Raga  
Dental Clinic, Potheri, Chennai - 603203  
Mobile: +91 9840392926  
E-mail: shanmuga.v@siemens.com

### Meerut

D-205, Ansal Courtyard, Roorkee Bypass  
Modipuram, Meerut - 250110, UP  
Mobile: +91 7619047999  
E-mail: achint.mathur@siemens.com

### Mehsana

44, Shubh Residency, Opp Goodluck Party Plot  
Nr Panchot By-pass Circle, Mehsana - 384002  
Mobile: +91 9909916971  
E-mail: paresh.prajapati@siemens.com

### Mysore

No. 980, 4th Cross, 6th Main  
Bannimantap B layout, SS Nagar  
Mysore - 570015  
Mobile: +91 9611311645  
E-mail: raashed.syed@siemens.com

### Naidupeta

Door No. 3-3-140, Raghavaiahpet  
Sriharikota Road, Opp to Race School  
Sullurpeta Town & Mandal, SPSR Nellore District  
AP - 524123  
Mobile: +91 9840255185  
E-mail: r.pradeep@siemens.com

### Nashik

Flat No 402, "D" Wing, Hari Shrushti  
Near Jogging Track, Opposite WNS, Indira Nagar  
Nashik - 422009  
Mobile: +91 9822193204  
E-mail: dhananjay.thorat@siemens.com

### Neemrana

Flat No. F111, Anantraj Aashray Apartment  
Plot No. 236, Japanese Zone  
Neemrana - 301705, Dist.- Alwar  
Mobile: +91 9650481919  
E-mail: deepak.beniwal@siemens.com

### Patna

A-53, 5th Floor, Krishna Apartment, Boring Road  
Patna - 800001  
Mobile: +91 9641574289  
E-mail: rajendra.mitra@siemens.com

### Pondicherry

R.A.M. Paradise, II Floor, No.4, 2nd Cross  
Kamban Nagar, Reddiarpalayam  
Puducherry - 605010  
Mobile: +91 9176609374  
E-mail: gopalakrishnan.shanmugam@siemens.com

### Raipur

103 Risabh Regency, Near Shri Medishine Hosptal  
New Rajendra Nagar, Raipur (CG) - 492001  
Mobile: +91 9425601849  
E-mail: raghuraj.bisen@siemens.com

### Rajkot

301, Snowhill Apartment  
Near Golden Supermarket, Amin Marg  
Rajkot - 360007, Gujarat  
Mobile: +91 9909904993  
E-mail: piyush.thaker@siemens.com

### Ranchi

Flat No. A-101, 1st Floor, Sundaram Apartment  
Kilburn Colony, Hinoo, Ranchi  
Jharkhand - 834002  
Mobile: +91 8294052647  
E-mail: shyamal.bhattacharyya@siemens.com

### Mumbai

Business Centre-1  
Thane Belapur Road, Thane - 400 601  
☎ : +91 22 39663000  
Fax: +91 22 39663721

### Nagpur

4th Floor, Land Mark Building  
Wardha Road, Ramdas Peth  
Nagpur - 440 010  
☎ : +91 712 3093000  
Fax: +91 712 3093111

### Pune

Tower B/701-705, ICC Trade Tower  
403A, Senapati Bapat Road  
Pune - 411016  
☎ : +91 20 30466000  
Fax: +91 20 30466060

### Vishakhapatnam

2nd Floor, 30-8-47, Lakshmi Narasimha Towers  
Banu Street, Daba Gardens  
Visakhapatnam - 530 020  
Andhra Pradesh  
☎ : +91 891 3050200  
Fax: +91 891 3050222

### Renukoot

Vijay Gupta Bhawan, Swami Vivekanand Colony  
Murdhawa, Renukoot - 231217, U.P.  
Mobile: +91 9984500021  
E-mail: kumardeepak@siemens.com

### Rourkela

D/7, Gafoor Colony, Ground Floor  
Near LIC Office, Udit Nagar  
Rourkela - 769012, Odisha  
Mobile: +91 9776967773  
E-mail: prakhar.chaturvedi@siemens.com

### Rudrapur

Shanti Vihar Colony, Chatarpur Road  
Opposite - Dr. Pandey Hospital  
Rudrapur - 263153, Uttarakhand  
Mobile: +91 9839174578  
E-mail: girish.pandey@siemens.com

### Salem

Rajagiragham, Lumbini Illam, No. 20  
Palaniappa Nagar Hasthampatti, Salem - 636007  
Mobile: +91 8754922245  
E-mail: g.suresh@siemens.com

### Siliguri

C/o Radhagobindo Paul  
Syed Mustafa Ali Road, Raja Rammoan Roy Road  
Hakimpura, Ward Number: XV, Dist - Darjeeling  
Siliguri - 741201  
Mobile: +91 9932276294  
E-mail: dibyojyoti.karmakar@siemens.com

### Sonepat

H.No. 1103, 1st Floor, Sector - 14  
Sonepat, Haryana - 131001  
Mobile: +91 9855526122  
E-mail: kumar.manish@siemens.com

### Sriperumbudur

C32 Block, 3rd Floor, Flat No. 31  
TVH Svaya Apartments, Near Vengadu Village  
Kundrathur Road, Sriperumbudur - 602105  
Mobile: +91 9884102638  
E-mail: venkatesh.janakiraman@siemens.com

### Surat

A 604, Stuti Universal, Green City Road  
Pal-Adajan, Surat - 395009, Gujarat  
Mobile: +91 9712445504  
E-mail: harshwardhan.mishra@siemens.com

### Trichy

Flat No.102, 'B' Block, 2nd Floor, Vignesh Empire  
Apartments, Salai Road, Woraiyur, Trichy - 620003  
Mobile: +91 8056025127  
E-mail: ponnivalavan.p@siemens.com

### Trissur

Plot No. 12, Cherakekaran House, Unity Nagar  
Kuriachira P.O, Thrissur, Kerala - 680006  
Mobile: +91 9947957839  
E-mail: nobin.babu@siemens.com

### Udaipur

A-39, New Ahinsapuri, Fatehpura  
Udaipur - 313004  
Mobile: +91 9983691888  
E-mail: anurag.shah@siemens.com

### Vapi

Flat No. 302, 3rd Floor, Samrajya-IV  
Royal Residency, Gokul Vihar Township  
Charwada Road, Taluka - Pardi, Dist. Valsad  
Vapi - 396195  
Mobile: +91 9825147957  
E-mail: rohit.darji@siemens.com

### Vijayawada

Mobile: +91 9948664228  
E-mail: naga.ganesha@siemens.com

Siemens Ltd.

Smart Infrastructure

Electrical Products

R&D Technology Centre

Kalwa Works, Thane Belapur Road, Thane - 400 601

Fax: +91 22 33265627

For more information contact toll free 1800 209 1800

E-mail: lvsgr-mktg.india@siemens.com

[www.siemens.co.in](http://www.siemens.co.in)

SI-EP-5SJ6CAT-052020

Customer Care Toll free no.

1800 209 0987

Email: [ics.india@siemens.com](mailto:ics.india@siemens.com)

Product upgradation is a continuous process. Hence, data in this catalog is subject to change without prior notice. For the latest information, please get in touch with our Sales Offices.