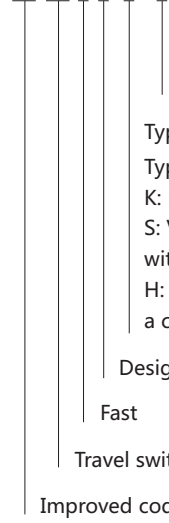




2. Type designation

YB LX K3/□/□



Operation modes (see Table1)

Type of protective enclosure (K、S、H)

Type of protective enclosure:

K: no protective enclosure, open type;

S: Vertical protective enclosure with a cable entry at the bottom;

H: Horizontal protective enclosure with a cable entry on the bottom and each side

Design sequence No.

Fast

Travel switch

Improved code

Contact type

YBLX-K3 Travel Switch

1. General

YBLX-K3 series of travel switch is applicable to electric circuit with voltage not more than AC-15 Ue 380V,50Hz/60Hz or DC-13 Ue 220V and current not more than AC-15 Ie 5A 0.8A or DC-13 Ie 0.15A for travel control, direction of motion or speed change of movement mechanism, automatic control of machine tool, action limit & travel or procedure control of movement mechanism.
Standard: GB/T 14048.5, IEC60947-5-1,CCC China Compulsory Product Certification.

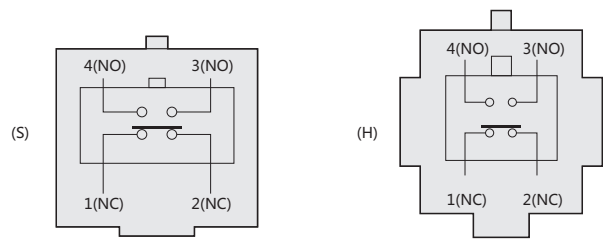


Table 1

Symbol	Operation modes
Z	Plunger type
L	Roller plunger type
B	Roller jib type
T	Adjustable roller jib type
D	Flexible rocker type
J	Adjustable metal rocker type
H1	"cross" type, two wheels are in the same direction (upper left, upper right)
H2	"cross" type, left wheel is the front and the right wheel is on the back (upper left, lower right)
H3	"cross" type, left wheel is the front and the right wheel is on the back (lower left, upper right)
W	Universal type

3. Technical data

Table 2

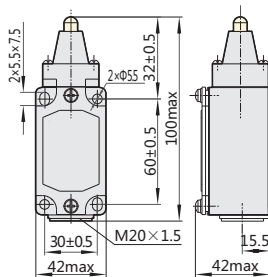
Ingress protection	IP52
Rated voltage	AC-15 380V ; DC-13 220V
Rated control current	AC-15 0.8A ; DC-13 0.15A
Operation frequency	20 t/min
Ambient temperature	-5°C~+40°C
Relative humidity	≤90%
Altitude	≤2000m
Installation category	II
Pollution degree	class3
Insulation voltage Ui	415V
Rated impulse withstand voltage Uimp	2.5KV
Scope of application	For operation, control, limit, signal and interlock in control circuit and auxiliary circuit. Typical application: control AC, DC electromagnets
Standard	GB/T 14048.5 IEC 60947-5-1

Table 3

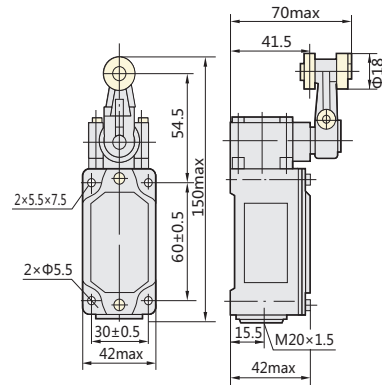
Operating characteristic	Type	YBLX-K3/20 ^S _H /Z	YBLX-K3/20 ^S _H /B	YBLX-K3/20 ^S _H /D	YBLX-K3/20 ^S _H /H1	YBLX-K3/20 ^S _H /W
		YBLX-K3/20 ^S _H /L	YBLX-K3/20 ^S _H /T		YBLX-K3/20 ^S _H /H2	
Maximum operating force (max OF)		30N	20N	20N	30N	20N
Maximum operating range (max PT)		7mm	45°	45°	80°	45°
Maximum operating force (max OF)		2.0mm	20°	20°		-

4. Overall and mounting dimensions

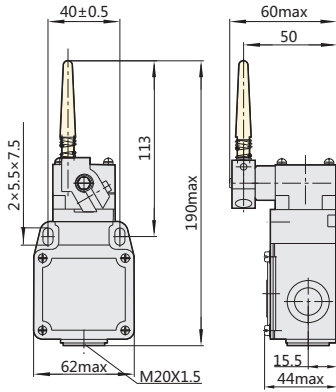
YBLX-K3/20S/Z



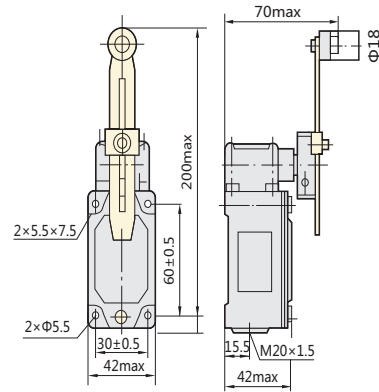
YBLX-K3/20S/B



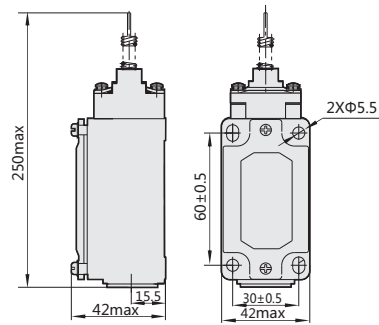
YBLX-K3/20H/D



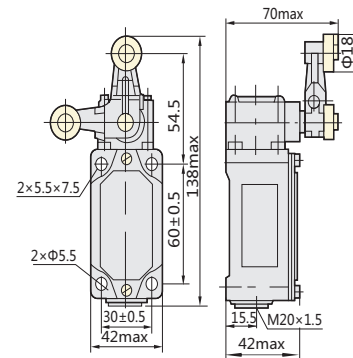
YBLX-K3/20S/T



YBLX-K3/20S/W



YBLX-K3/20S/H1, H2, H3



5. Ordering information

When ordering, the user shall specify the product name, type and quantity.

For example: YBLX-K3/20S/T Travel switch 100 pieces

User note:

YBLX-K3/20S/B, YBLX-K3/20H/B, YBLX-K3/20S/T. YBLX-L3/20H/T restricted by operating mechanism.

It can not apply to the arm action is greater than 90 degree condition.

Beware of the action angle is too large lead to turn arm rotation and other undesirable phenomena.