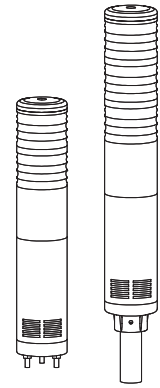


USB LED Tower Lights

ST45(M)L/ ST56(M)EL/ ST80(M)EL-USB



Thank you for purchasing Qlight's products. Please read this user manual carefully prior to installation and operation to ensure safe and correct use.

⚠ Precautions for Safety

Failure to follow the instructions below may cause a loss of life or serious physical injury.

1. During wiring or maintenance, please completely turn off the power of the product. (Failure to follow this may lead to an electric shock.)
2. Do not install the product in locations that subjects it to excessive dust or water other than the conditions designated by the IP protection ratings indicated for each product. (Failure to follow these instructions may cause a fire to the product, electric shock, physical injury, malfunction or damage to the product.)
3. Do not alter or repair this product. If maintenance or repair service is required, please contact your local Qlight contact point. (Failure to follow these instructions may lead to fire, electric shock, or product damage.)
4. Please apply the correct voltage to the product. (Failure to follow these instructions may lead to fire, electric shock, or product damage.)
5. When the product is applied to a condition that may impact lives or property, please make sure to have a double safety device. (Failure to follow this may cause damage to property, fire, electric shock and loss of life.)

⚠ Precautions for Correct Use

Failure to follow the proper instructions may cause damage to property, the product, and or malfunction of the product that would void the warranty.

1. Please remove any objects that can interrupt ventilation around the product.
2. Please turn off the power of the product immediately if it fails to operate properly.
3. Carefully wire the product according to each product's specification.
4. Please be careful in preventing chemicals such as thinner, benzene, etc. in contact with the surface of the product.
5. Do not apply excessive force/impact to the product.
6. Failure to follow any of the instructions above may cause malfunction or damage to the product, fire, and electric shock.

Ordering Specification

• ST45(M)L-USB

ST45L-USB-BZ	3	RAG	LW18
[Model number]	[Layer]	[Color]	[Mount bracket]
• ST45L-USB-BZ	• Layer1-1	R-Red	• (Blank)
• ST45L-USB-WS	• Layer2-2	A-Amber	- Standard type
• ST45L-USB-WM	• Layer3-3	G-Green	• Mounting type
• ST45L-USB-WA	• Layer4-4	B-Blue	- LB18 - LW18
• ST45ML-USB-BZ	• Layer5-5	W-White	- QZ18 - SZ18
• ST45ML-USB-WS			- QL18 - SL18
• ST45ML-USB-WM			- QLA18
• ST45ML-USB-WA			

• ST56(M)EL-USB

ST56L-USB-BZ	3	RAG	LW18
[Model number]	[Layer]	[Color]	[Mount bracket]
• ST56EL-USB-BZ	• Layer1-1	R-Red	• (Blank)
• ST56EL-USB-WS	• Layer2-2	A-Amber	- Standard type
• ST56EL-USB-WM	• Layer3-3	G-Green	• Mounting type
• ST56EL-USB-WA	• Layer4-4	B-Blue	- LB18 - LW18
• ST56MEL-USB-BZ	• Layer5-5	W-White	- QZ18 - SZ18
• ST56MEL-USB-WS			- QL18 - SL18
• ST56MEL-USB-WM			- QLA18
• ST56MEL-USB-WA			

• ST80(M)EL-USB

ST80EL-USB-BZ	3	RAG	LW24
[Model number]	[Layer]	[Color]	[Mount bracket]
• ST80EL-USB-BZ	• Layer1-1	R-Red	• (Blank)
• ST80EL-USB-WS	• Layer2-2	A-Amber	- Standard type
• ST80EL-USB-WM	• Layer3-3	G-Green	• Mounting type
• ST80EL-USB-WA	• Layer4-4	B-Blue	- LB24 - LW24
• ST80MEL-USB-BZ	• Layer5-5	W-White	- QZ24 - SZ24
• ST80MEL-USB-WS			- QL24 - SL24
• ST80MEL-USB-WM			- QLA24
• ST80MEL-USB-WA			



Please scan the QR code for more detailed product information.

www.qlight.com

Product Specifications

• ST45(M)L-USB

Model number		Layer	Certificate	Color
ST45L-USB-BZ ST45L-USB-WS ST45L-USB-WM ST45L-USB-WA ST45ML-USB-BZ ST45ML-USB-WS ST45ML-USB-WM ST45ML-USB-WA	5 Buzzer sounds 5 Warning sounds 5 Melodies 5 Alarms	1	-	R-Red
		2		R-Red G-Green
		3		R-Red A-Amber G-Green
		4		R-Red A-Amber G-Green B-Blue
		5		R-Red A-Amber G-Green B-Blue W-White

• ST56(M)EL-USB

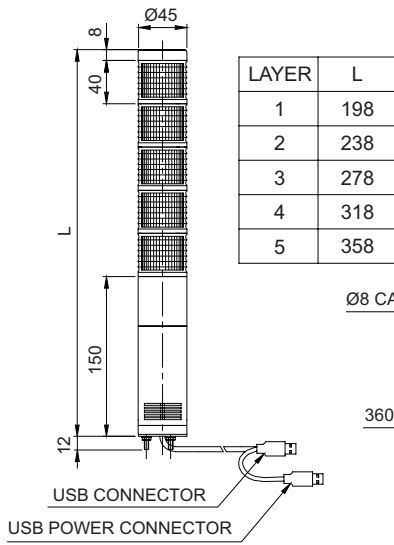
Model number		Layer	Certificate	Color
ST56EL-USB-BZ ST56EL-USB-WS ST56EL-USB-WM ST56EL-USB-WA ST56MEL-USB-BZ ST56MEL-USB-WS ST56MEL-USB-WM ST56MEL-USB-WA	5 Buzzer sounds 5 Warning sounds 5 Melodies 5 Alarms	1	CE	R-Red
		2		R-Red G-Green
		3		R-Red A-Amber G-Green
		4		R-Red A-Amber G-Green B-Blue
		5		R-Red A-Amber G-Green B-Blue W-White

• ST80(M)EL-USB

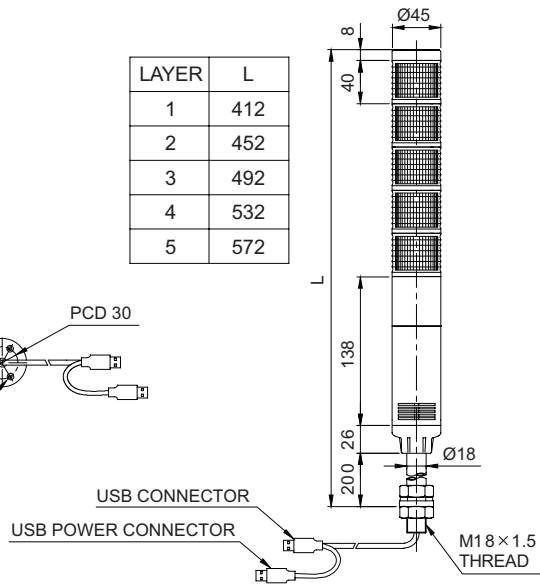
Model number		Layer	Certificate	Color
ST80EL-USB-BZ ST80EL-USB-WS ST80EL-USB-WM ST80EL-USB-WA ST80MEL-USB-BZ ST80MEL-USB-WS ST80MEL-USB-WM ST80MEL-USB-WA	5 Buzzer sounds 5 Warning sounds 5 Melodies 5 Alarms	1	-	R-Red
		2		R-Red G-Green
		3		R-Red A-Amber G-Green
		4		R-Red A-Amber G-Green B-Blue
		5		R-Red A-Amber G-Green B-Blue W-White

- Protection rating : IP23
- Ambient operating temperature : -30°C to + 50°C

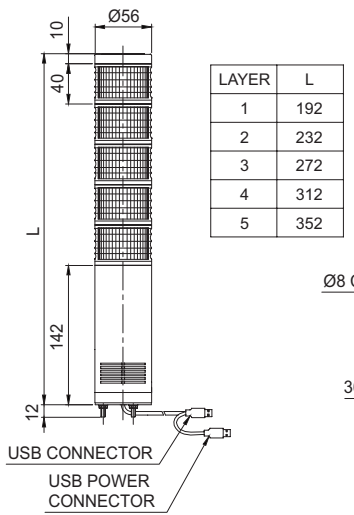
ST45ML-USB



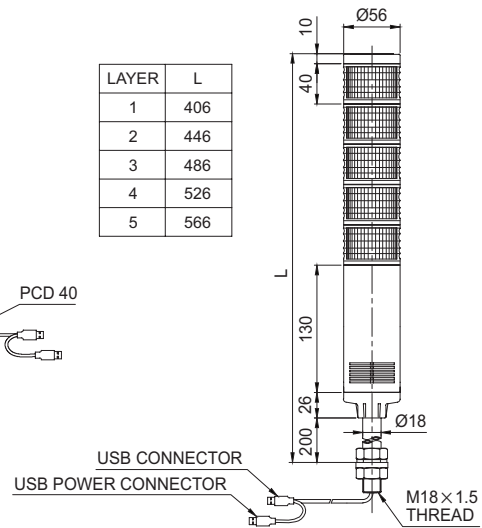
ST45L-USB



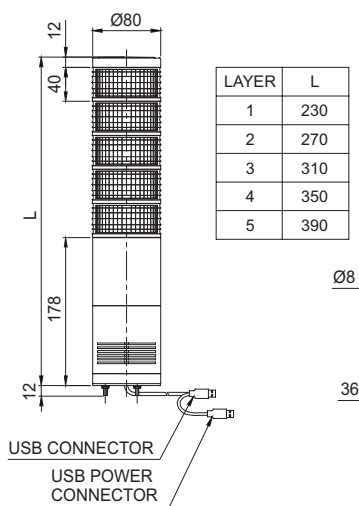
ST56MEL-USB



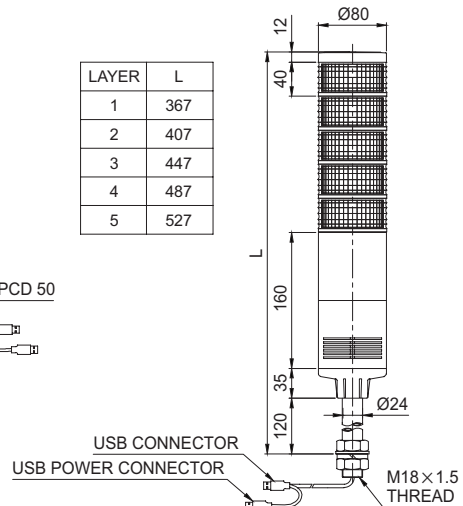
ST56EL-USB



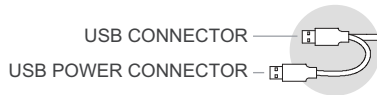
ST80MEL-USB



ST80EL-USB



USB Cable Wiring Instructions



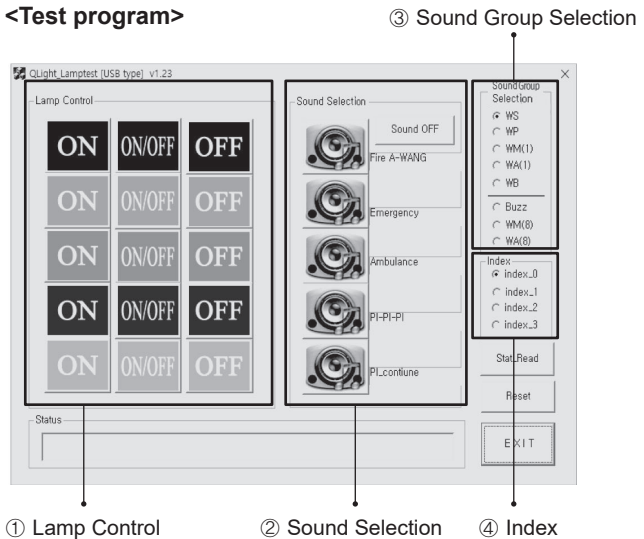
- Connect both USB power connector and USB signal control connector that are connected to each other to USB ports of a PC.
- Product does not run in case of USB power connector connection only.

Test Instructions

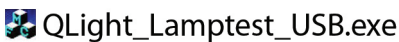
<For Connecting Method with pc>



<Test program>



1. Please connect USB Tower Lamp and PC as above figure <How to connect with PC>
2. Please download test program(USB.zip) from Qlight website or blog.qlight.com
3. The downloaded sample program will be saved as "USB Test Program.zip".
When you unzip the file, there will be a file with the names below.



test program



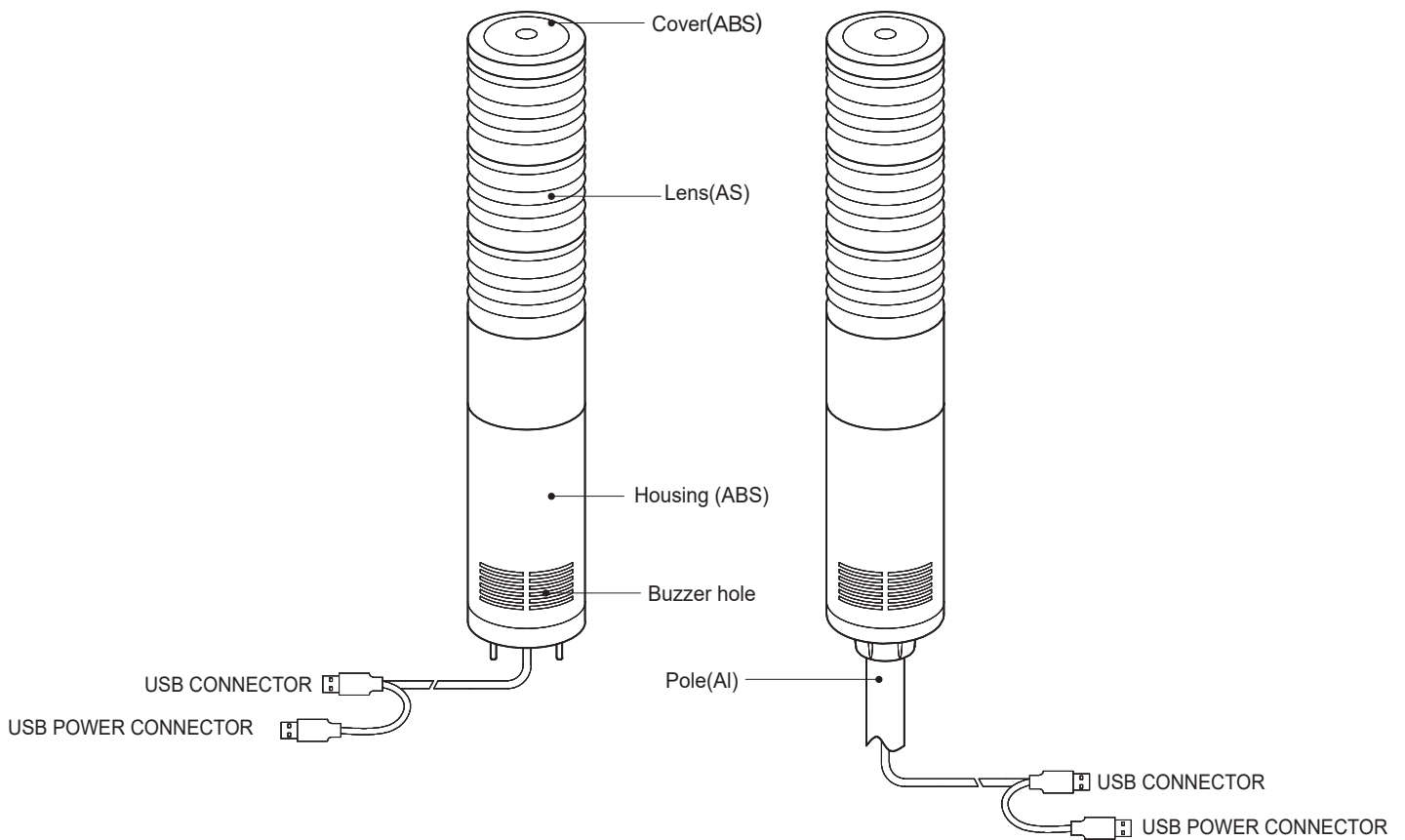
Required library for test program

- * When developing the program, please download and refer to the file "manual and library"(sample programs and manuals for developers).
4. When you run the "QLight lamptest_usb.exe"file, a test programs will show up as above.
Products sound options are classified as WS / WA / WM / BZ. The product will only play the sound option selected when the order was placed.

■ How to use program

Article	Detailed specification
① Lamp control	<ul style="list-style-type: none"> - ON: Lamp turns on when the button is clicked - ON/OFF: Lamp flashes when the button is clicked - OFF: Lamp turns off when the button is clicked
② Sound selection	<ul style="list-style-type: none"> - 1ch-5ch: Has 5 sounds per model, turns on the chosen sound - Click "Sound off" button to turn off the sound
③ Sound group selection	<ul style="list-style-type: none"> - WS : 5 warning sounds(mono) - WP : 5 special warning sounds(mono) - WM(1) : 5 Melodies(mono) - WA(1) : 5 alarms(mono) - WB : Software Buzzer 5 sounds(speaker type) - Buzzer : 5 Buzzer sounds
④ Index	<ul style="list-style-type: none"> - You can connect up to a maximum of 4 USB Tower lights per PC - Must be controlled by selecting Index0 - Index3 for controlling the USB tower light. The default is set to Index0

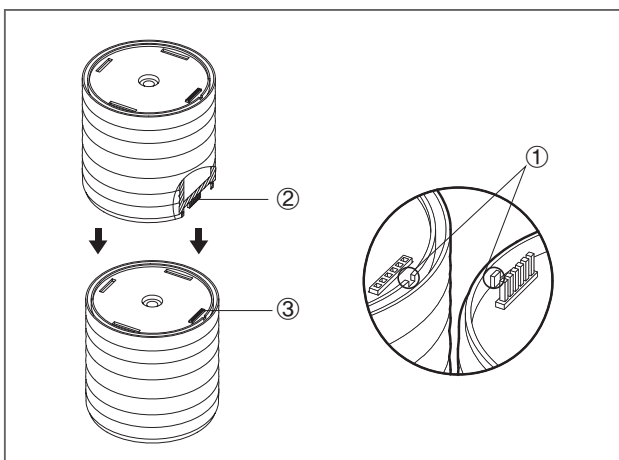
Parts Definition



Installation Environment and Protection Rating

- This product is designed for use with protection rating of IP23.
- If the product is installed in locations that subject it to excessive dust or water other than the designated IP protection rating indicated(IP23), it may cause malfunction or damage to the product.
- For further information, please visit our website (www.qlight.com).

How to Change Lens Kit



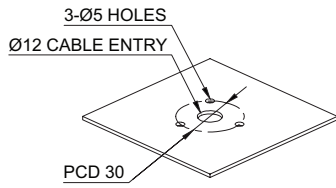
- When rearranging or replacing the lens kits, please be aware of the contact point ① and the connector pin ② marked in the diagram on the left.
- Press down to assemble the lens kits while making sure that connector pin ② and connector ③ aligns correctly.
- Please make sure that the rubber spacer placed on the top of each lens kit is tightly secured to the bottom of the other lens kit.

※ Cautions

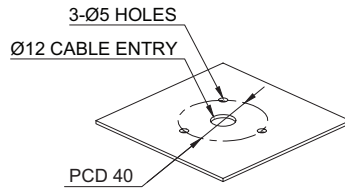
Lens modules are connected via the contact point of each module. In case the contact point is damaged, it may cause contact failure.

Mounting Hole Specifications

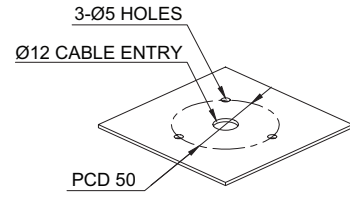
① Machine holes on the mounting surface referring to the diagram below.



ST45ML-USB



ST56MEL-USB



ST80MEL-USB

② Remove the flange nuts from bolts and place the product through the mounting surface holes.

③ Fasten the flange nuts on the opposite side of the mounting surface until the product is tightened securely.

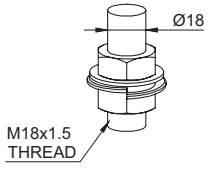
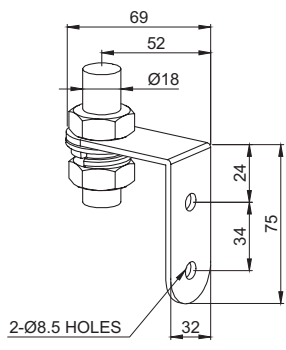
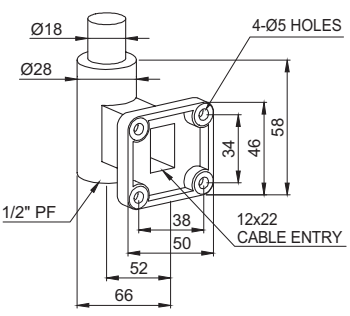
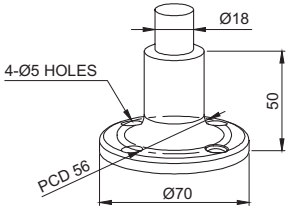
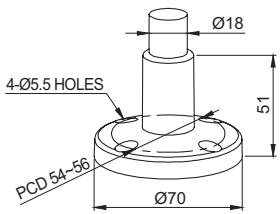
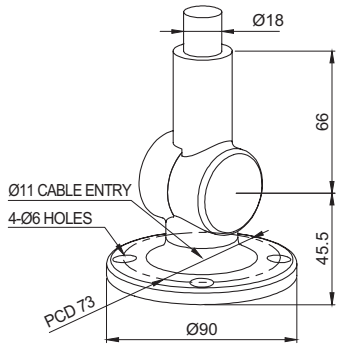
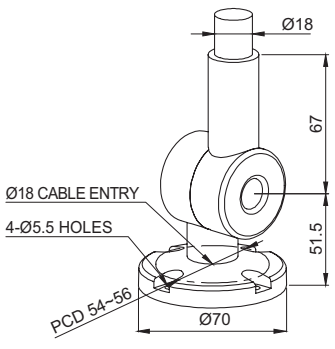
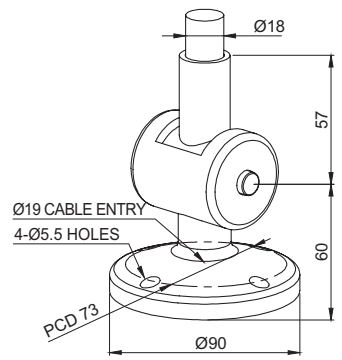
Mounting Accessories (Sold Separately)

• Please refer to the dimensions below for installation of mounting brackets

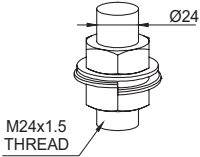
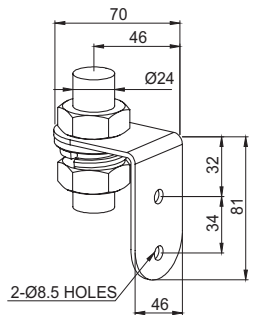
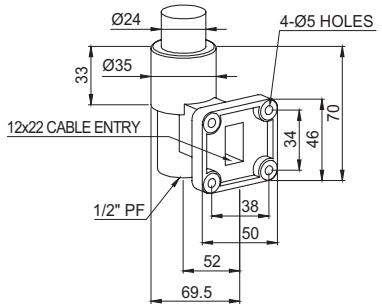
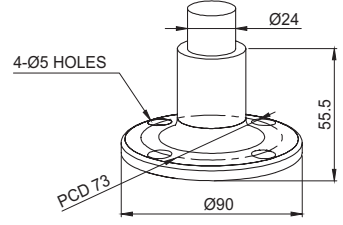
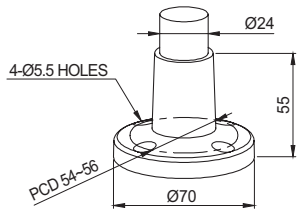
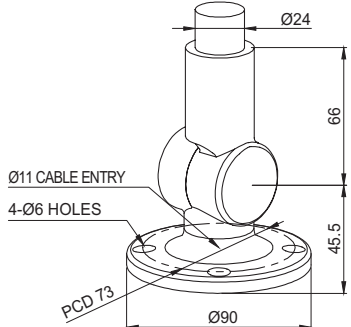
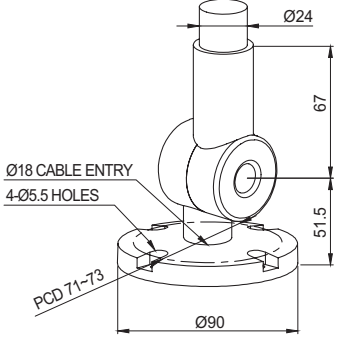
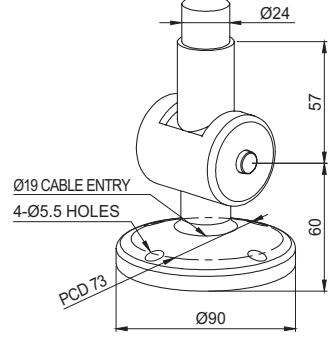
■ ST45ML-USB/ ST56MEL-USB/ ST80MEL-USB - Direct mounting Type Model

	Dimensions	
<p>ST45ML-USB ST56MEL-USB</p>	<p>TWS45</p>	<p>TWA45</p>
<p>ST80MEL-USB</p>	<p>TWS80</p>	<p>TWA80</p>

■ ST45L-USB/ ST56EL-USB - Pole Mounting Type Model

		Dimensions	
ST45L-USB ST56EL-USB	 <p>M18x1.5 THREAD</p> <p>Ø18</p>	 <p>69</p> <p>52</p> <p>Ø18</p> <p>24</p> <p>34</p> <p>75</p> <p>2-Ø8.5 HOLES</p> <p>32</p>	<p>18mm SCREW & NUT</p> <p>LB18</p>
	 <p>Ø18</p> <p>Ø28</p> <p>4-Ø5 HOLES</p> <p>1/2" PF</p> <p>34</p> <p>46</p> <p>58</p> <p>12x22 CABLE ENTRY</p> <p>38</p> <p>50</p> <p>52</p> <p>66</p>	 <p>Ø18</p> <p>4-Ø5 HOLES</p> <p>PCD 56</p> <p>Ø70</p> <p>50</p>	<p>LW18</p> <p>SZ18</p>
	 <p>Ø18</p> <p>4-Ø5.5 HOLES</p> <p>PCD 54-56</p> <p>Ø70</p> <p>51</p>	 <p>Ø18</p> <p>Ø11 CABLE ENTRY</p> <p>4-Ø6 HOLES</p> <p>PCD 73</p> <p>Ø90</p> <p>45.5</p> <p>66</p>	<p>QZ18</p> <p>SL18</p>
	 <p>Ø18</p> <p>Ø18 CABLE ENTRY</p> <p>4-Ø5.5 HOLES</p> <p>PCD 54-56</p> <p>Ø70</p> <p>51.5</p> <p>67</p>	 <p>Ø18</p> <p>Ø19 CABLE ENTRY</p> <p>4-Ø5.5 HOLES</p> <p>PCD 73</p> <p>Ø90</p> <p>60</p> <p>57</p>	<p>QL18</p> <p>QLA18</p>

■ ST80EL-USB - Pole Mounting Type Model

		Dimensions		
ST80EL-USB	 <p>M24x1.5 THREAD</p> <p>Ø24</p>			
	24mm SCREW & NUT	 <p>70 46 Ø24 32 34 81 2-Ø8.5 HOLES 46</p>	LB24	
	 <p>Ø24 33 Ø35 12x22 CABLE ENTRY 1/2" PF 4-Ø5 HOLES 70 34 46 38 50 52 69.5</p>	LW24	 <p>Ø24 4-Ø5 HOLES PCD 73 Ø90 55.5</p>	SZ24
	 <p>Ø24 4-Ø5.5 HOLES PCD 54-56 Ø70 55</p>	QZ24	 <p>Ø24 66 Ø11 CABLE ENTRY 4-Ø6 HOLES PCD 73 Ø90 45.5</p>	SL24
	 <p>Ø24 67 Ø18 CABLE ENTRY 4-Ø5.5 HOLES PCD 71-73 Ø90 51.5</p>	QL24	 <p>Ø24 57 Ø19 CABLE ENTRY 4-Ø5.5 HOLES PCD 73 Ø90 60</p>	QLA24

Technical Certification

• Qlight products are designed to meet strict quality and technical standards. Thus, the Qlight brand is widely recognized for its high quality and technical innovations from leading institutions around the world.



ISO International Organization for Standardization

Qlight quality assurance systems have been certified by ISO by applying the ISO 9001:2008, KS Q ISO 9001:2009 regulation.



IECEX International Explosion Proof Certification (IECEX)

Certified that Qlight's products are being manufactured and manage according to international standards.



ATEX The European Regulatory Framework or Manufacture, Installation and Use of Equipment in Explosive Atmospheres

Qlight's explosion proof products comply with ATEX Directives 94/9/EC.



NEPSI National Supervision and Inspection Center for Explosion Protection and Safety of Instrumentation

Qlight's design and manufacturing system meets the People's Republic of China National explosion proof Standard. (Chinese Standard-GB3836/GB12476)



KCs Explosion Proof Device Safety Certification System

The safety performance of machines and equipment subject to safety certification and Technical capability and production system have been certified safety certification standards.



TIIS Japan Explosion-proof Certification

TIIS is a Japanese explosion proof test and certification system accordance with the Ministry of Health, Labour and Welfare Notice and the explosion proof guidelines for factory electrical equipment. Qlight's explosion proof products have been tested and certified by TIIS.



CCS China Classification Society

Qlight's design and quality assurance system has been certified by the China Classification Society.



RMRS Russian Maritime Register of Shipping

Qlight's design and quality assurance system has been certified from Russian Maritime Register of Shipping.



LR Lloyd's Register

Qlight's design and quality assurance system has been certified from Lloyd's Register.



KR Korean Register of Shipping

Qlight's design and quality assurance system has been certified by the Korean Register of Shipping.



KC Korea Safety Certification

Qlight's products are certified by KC for preventing accident caused by fire.



E-mark Commission Directive Regarding Vehicle Industry

Qlight has obtained EU mark for approved vehicles and vehicle components sold into the EU (EEA : European Economic Area)



ICAO International Civil Aviation Organization

Qlight guarantees our products satisfy the criteria regulated by the International Civil Aviation Organization (ICAO, FAA).



KCC Conformity Assessment of Broadcasting Communication Equipment

Qlight has been certified to protect the electromagnetic environment that causes unwanted electromagnetic waves from the device, communication failure due to other devices or external radio waves, and malfunction of the device.



UL Underwriters Laboratories

Qlight's design and quality assurance system has been certified from UL to ensure the stability of consumption goods and to protect consumers.



CCCF China Certification Center for Security & Protection

Qlight has passed the rigorous examination process of "Passing Fire Protection Products Centering" In order to sell fire-fighting products such as fire alarm equipment to Chinese market.



CCC China Compulsory Certificate

Qlight's has obtained CCC which guarantees safety, protection against fraud, environment, etc.



CE European Commission

Qlight has been certified by the European Commission.



RoHS2 Restriction of Hazardous Substances Directive

Qlight complies with the Restriction of Hazardous Substances Directive by limiting its use of hazardous materials.



For your safety

Specification and dimensions listed in this catalogue subject to change without notice for product quality improvement.
The newest product information is available on our website.(www.qlight.com)
Please read the instruction manual attached to the product carefully before installation and use.

Qlight Co., Ltd. www.qlight.com | trade@qlight.com

Head Office | Suite #1510, STX-V Tower, 128 Gasan digital 1-ro, Geumcheon-gu, Seoul, Korea

Tel. +82-2-2679-6152(Toll free. +82-80-328-2222) Fax. +82-2-2679-6154

Factory | 185-25, Mukbang-ro, Sangdong-myeon, Gimhae-si, Gyeongsangnamdo, Korea Tel. +82-55-328-1111(Toll free. +82-80-328-1111)

Qlight OverSEAs Sales Dept | 704 Nakdong-daero, Sasang-gu, Busan, Korea(Eomgung-Dong) Tel : +82-51-620-4100

Qlight Public Relations & Marketing Team Office | 704 Nakdong-daero, Sasang-gu, Busan, Korea(Eomgung-Dong) Tel. +82-51-245-0017

Qlight USA, Inc. www.qlight.com www.qlightusa.com | sales@qlightusa.com

3003 North First Street, Suite #341, San Jose, CA 95134 USA Tel. +1-408-519-5740 Fax. +1-408-519-5739

SHANGHAI Qlight Electronic Co., Ltd. www.qlight.com www.qlightcn.com | qlightcn@qlight.com

China Factory/ Shanghai Sales Office | #19, Nanda Road, Baoshan Area, Shanghai, China Tel. +86-21-6651-7100 Fax. +86-21-6315-3929

China Factory Site 2 (Qidong) | #33, Haiyan Road, Qidong High-tech Industrial Development Zone, Qidong, Jiangsu Province, China

Tel +86-513-8384-9999 Fax +86-513-8384-9910

Qlightec

Innovation in Alarm & Signal

Product Operation Inquiry / Customer Support +82-51-620-4100

You can expect prompt service if you have exact information such as model name, symptom, telephone number and address.

※ ALL PRODUCT, PRODUCT SPECIFICATIONS AND DATA ARE SUBJECT TO CHANGE WITHOUT NOTICE TO IMPROVE RELIABILITY, FUNCTION OR DESIGN OR OTHERWISE.

Head office : Suite #1510, STX-V Tower, 128 Gasan digital 1-ro, Geumcheon-gu, Seoul, Korea (Postal Code : 08507)

Factory : 185-25, Mukbang-Ro, Sangdong-Myeon, Gimhae-Si, Gyeongsangnam-Do, Korea (Postal Code : 50805)

www.qlight.com

EN - ST45ML-USB - 2111A