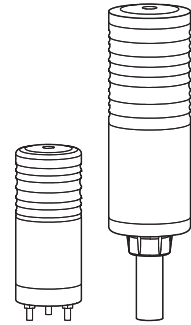
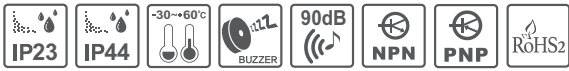


Multiple Color LED Steady/Flashing Tower Lights

STC45/ 56/ 80(M)L



Thank you for purchasing Qlight's products. Please read this user manual carefully prior to installation and operation to ensure safe and correct use.

⚠ Precautions for Safety

Failure to follow the instructions below may cause a loss of life or serious physical injury.

1. During wiring or maintenance, please completely turn off the power of the product. (Failure to follow this may lead to an electric shock.)
2. Do not install the product in locations that subjects it to excessive dust or water other than the conditions designated by the IP protection ratings indicated for each product. (Failure to follow these instructions may cause a fire to the product, electric shock, physical injury, malfunction or damage to the product.)
3. Do not alter or repair this product. If maintenance or repair service is required, please contact your local Qlight contact point. (Failure to follow these instructions may lead to fire, electric shock, or product damage.)
4. Please apply the correct voltage to the product. (Failure to follow these instructions may lead to fire, electric shock, or product damage.)
5. When the product is applied to a condition that may impact lives or property, please make sure to have a double safety device. (Failure to follow this may cause damage to property, fire, electric shock and loss of life.)

⚠ Precautions for Correct Use

Failure to follow the proper instructions may cause damage to property, the product, or malfunction of the product that would void the warranty.

1. Please remove any objects that can interrupt ventilation around the product.
2. Please turn off the power of the product immediately if it fails to operate properly.
3. Carefully wire the product according to each product's specification.
4. Please be careful in preventing chemicals such as thinner, benzene, etc. in contact with the surface of the product.
5. Do not apply excessive force/impact to the product.
6. Failure to follow any of the instructions above may cause malfunction or damage to the product, fire, and electric shock.

Ordering Specifications

STC45/ 56/ 80L	3	220	RAG	LW18
[Model number]	[Layers]	[Voltage]	[Color]	[Mounting option]
<ul style="list-style-type: none"> • STC45/ 56/ 80L • STC45/ 56/ 80L-BZ • STC45/ 56/ 80LF • STC45/ 56/ 80LF-BZ 	<ul style="list-style-type: none"> • 2-2 colors • 3-3 colors 	<ul style="list-style-type: none"> • 12-DC12V • 24-DC24V • 110-AC110V • 220-AC220V 	<ul style="list-style-type: none"> R-Red A-Amber G-Green 	<ul style="list-style-type: none"> • (Blank) - Standard type • Mounting type -LB18/24 -LW18/24 -QZ18/24 -SZ18/24 -QL18/24 -SL18/24 -QLA18/24

STC45/ 56/ 80ML	3	220	RAG
[Model number]	[Layers]	[Voltage]	[Color]
<ul style="list-style-type: none"> • STC45/ 56/ 80ML • STC45/ 56/ 80ML-BZ • STC45/ 56/ 80MLF • STC45/ 56/ 80MLF-BZ 	<ul style="list-style-type: none"> • 2-2 colors • 3-3 colors 	<ul style="list-style-type: none"> • 12-DC12V • 24-DC24V • 110-AC110V • 220-AC220V 	<ul style="list-style-type: none"> R-Red A-Amber G-Green



Please scan the QR code for more detailed product information.

www.qlight.com

Product Specifications

•STC45L

Model number	Layers	Voltage	Current	Certificate	Weight	Color
STC45L LED Steady	2	AC/DC12V	0.111A	CE	0.33kg	R-Red A-Amber
STC45L-BZ Built-in Buzzer		AC/DC24V	0.100A			
LED Steady		AC110V	0.028A			
STC45LF LED Steady/ Flashing	3	AC/DC12V	0.111A		0.47kg	R-Red A-Amber G-Green
STC45LF-BZ Built-in Buzzer		AC/DC24V	0.100A			
LED Steady/ Flashing		AC110V	0.028A			
		AC220V	0.014A			

※ CE compliant : DC24V

•STC56L

Model number	Layers	Voltage	Current	Certificate	Weight	Color
STC56L LED Steady	2	AC/DC12V	0.277A	CE	0.43kg	R-Red A-Amber
STC56L-BZ Built-in Buzzer		AC/DC24V	0.188A			
LED Steady		AC110V	0.057A			
STC56LF LED Steady/ Flashing	3	AC/DC12V	0.277A		0.62kg	R-Red A-Amber G-Green
STC56LF-BZ Built-in Buzzer		AC/DC24V	0.188A			
LED Steady/ Flashing		AC110V	0.057A			
		AC220V	0.028A			

※ CE compliant : DC24V

•STC80L

Model number	Layers	Voltage	Current	Certificate	Weight	Color
STC80L LED Steady	2	AC/DC12V	0.333A	CE	0.64kg	R-Red A-Amber
STC80L-BZ Built-in Buzzer		AC/DC24V	0.277A			
LED Steady		AC110V	0.073A			
STC80LF LED Steady/ Flashing	3	AC/DC12V	0.277A		0.83kg	R-Red A-Amber G-Green
STC80LF-BZ Built-in Buzzer		AC/DC24V	0.188A			
LED Steady/ Flashing		AC110V	0.057A			
		AC220V	0.028A			

※ CE compliant : DC24V

•STC45ML

Model number	Layers	Voltage	Current	Certificate	Weight	Color
STC45ML LED Steady	2	AC/DC12V	0.111A	CE	0.19kg	R-Red A-Amber
STC45ML-BZ Built-in Buzzer		AC/DC24V	0.100A			
LED Steady		AC110V	0.028A			
STC45MLF LED Steady/ Flashing	3	AC/DC12V	0.111A		0.32kg	R-Red A-Amber G-Green
STC45MLF-BZ Built-in Buzzer		AC/DC24V	0.100A			
LED Steady/ Flashing		AC110V	0.028A			
		AC220V	0.014A			

※ CE compliant : DC24V

•STC56ML

Model number	Layers	Voltage	Current	Certificate	Weight	Color
STC56ML LED Steady	2	AC/DC12V	0.277A	CE	0.29kg	R-Red A-Amber
STC56ML-BZ Built-in Buzzer		AC/DC24V	0.188A			
LED Steady		AC110V	0.057A			
STC56MLF LED Steady/ Flashing	3	AC/DC12V	0.277A		0.49kg	R-Red A-Amber G-Green
STC56MLF-BZ Built-in Buzzer		AC/DC24V	0.188A			
LED Steady/ Flashing		AC110V	0.057A			
		AC220V	0.028A			

※ CE compliant : DC24V

•STC80ML

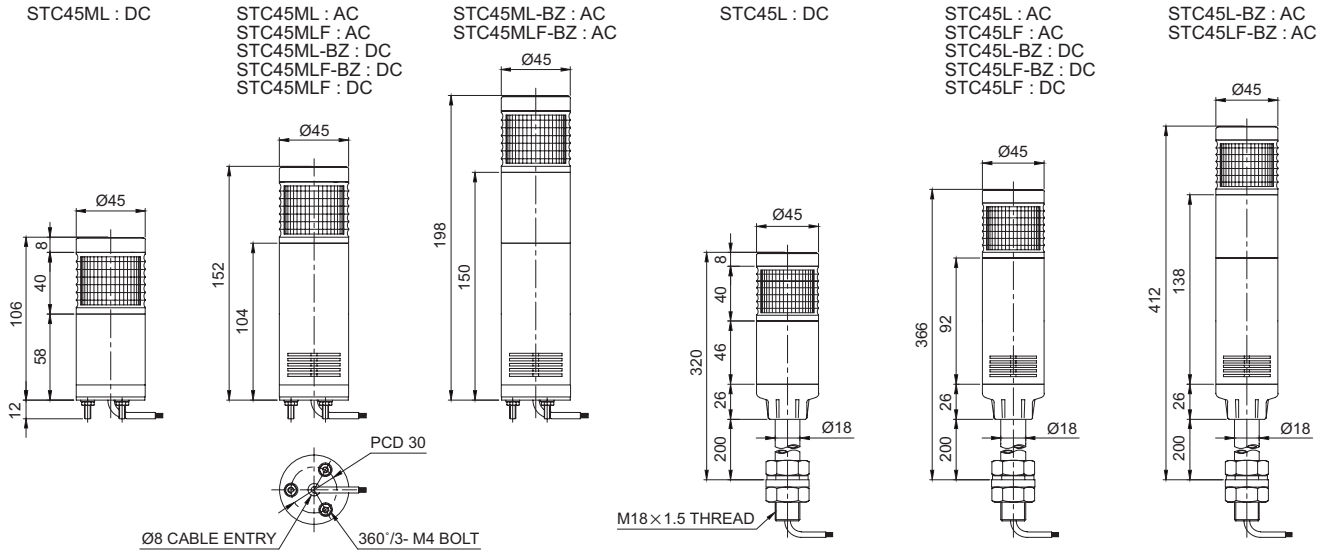
Model number	Layers	Voltage	Current	Certificate	Weight	Color
STC80ML LED Steady	2	AC/DC12V	0.333A	CE	0.40kg	R-Red A-Amber
STC80ML-BZ Built-in Buzzer		AC/DC24V	0.277A			
LED Steady		AC110V	0.073A			
STC80MLF LED Steady/ Flashing	3	AC/DC12V	0.277A		0.60kg	R-Red A-Amber G-Green
STC80MLF-BZ Built-in Buzzer		AC/DC24V	0.188A			
LED Steady/ Flashing		AC110V	0.057A			
		AC220V	0.028A			

※ CE compliant : DC24V

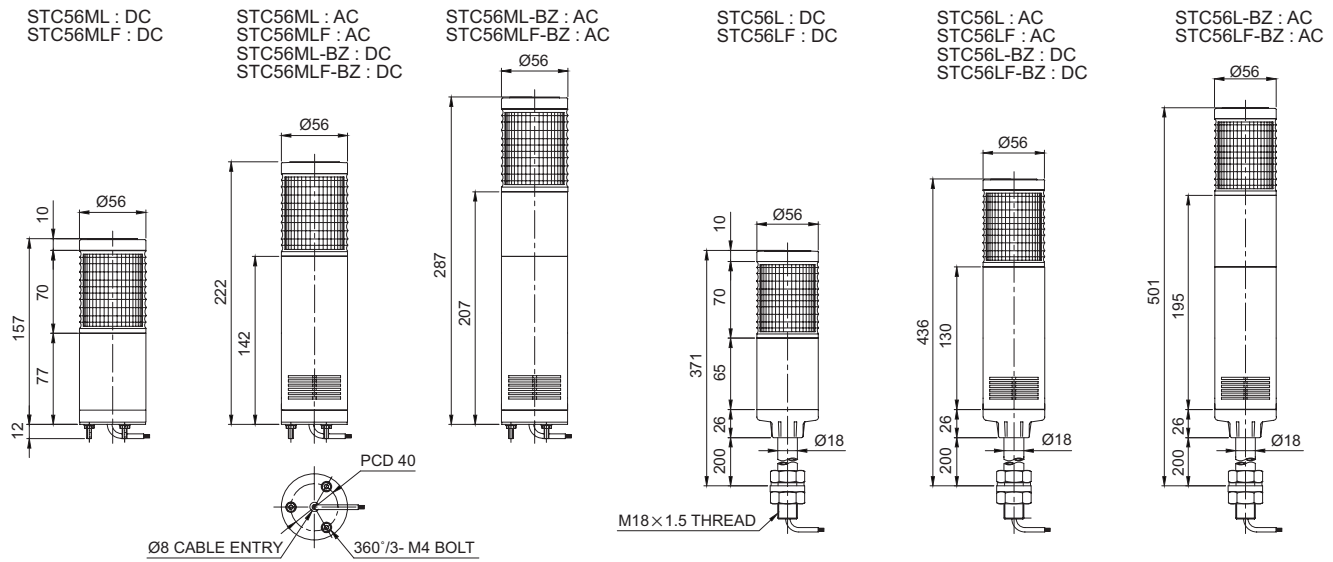
Dimensions

(Units : mm)

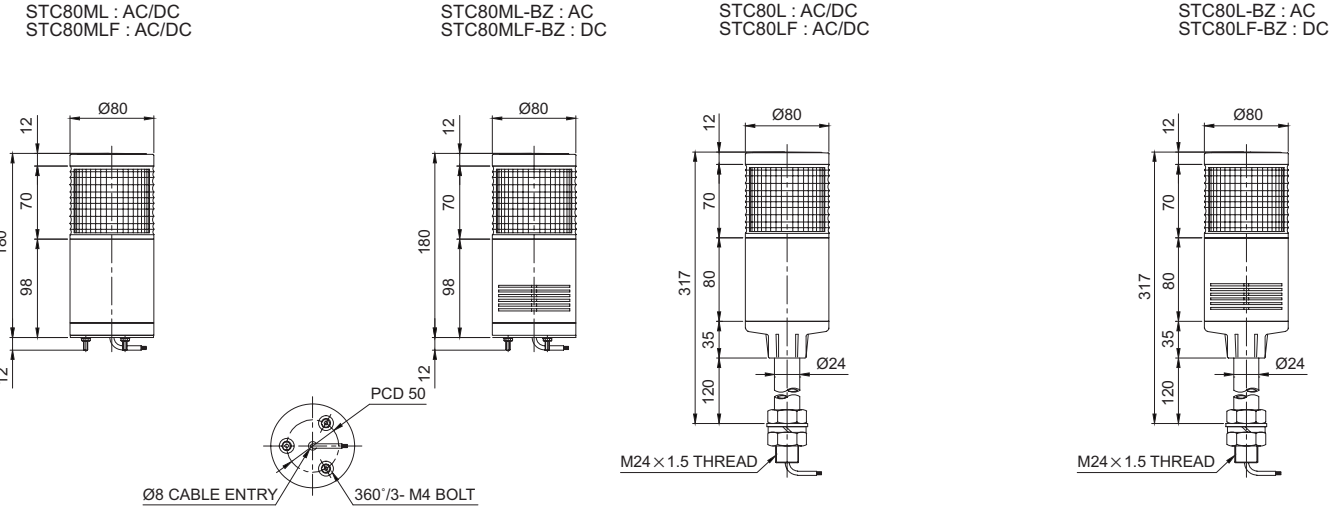
•STC45(M)L



•STC56(M)L



•STC80(M)L

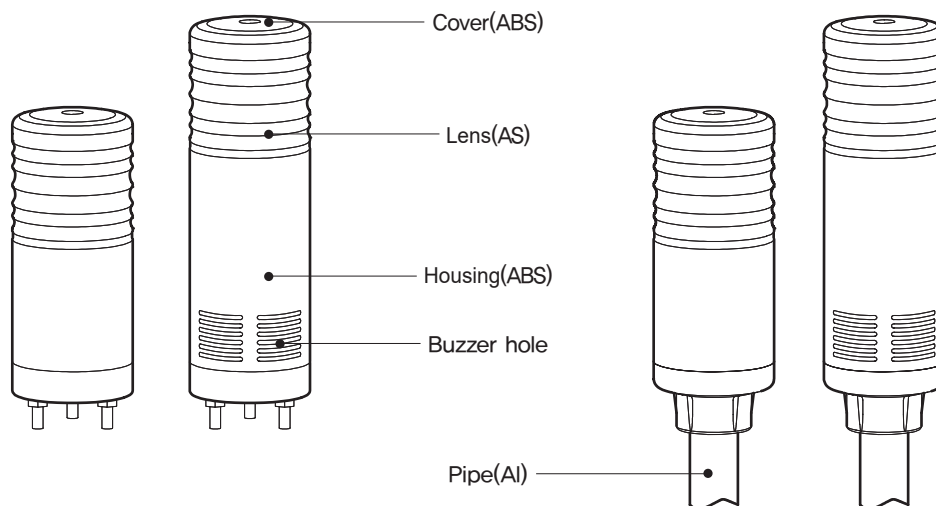


Wiring Instructions

- STC45/56/80(M)L can be wired by using both external contact and transistor.
- In case of wiring by transistor, please make sure if it is NPN type or PNP type. Please carefully follow wiring instruction below.
- These products can be wired regardless of polarity.

	External Contact	Transistor
DC Steady	<p>STC45ML/ STC45L-DC STC56ML/ STC56L/ STC56MEL/ STC56EL-DC</p>	<p>STC45ML/ STC45L-DC STC56ML/ STC56L/ STC56MEL/ STC56EL-DC</p>
DC Steady/ Flashing	<p>STC45MLF/ STC45LF-DC STC56MLF/ STC56LF/ STC56MELF/ STC56ELF-DC</p>	<p>STC45MLF/ STC45LF-DC STC56MLF/ STC56LF/ STC56MELF/ STC56ELF-DC</p>
AC Steady	<p>STC45ML/ STC45L-AC STC56ML/ STC56L/ STC56MEL/ STC56EL-AC</p>	
AC Steady/ Flashing	<p>STC45MLF/ STC45LF-AC STC56MLF/ STC56LF/ STC56MELF/ STC56ELF-AC</p>	<p>STC45MLF/ STC45LF-AC STC56MLF/ STC56LF/ STC56MELF/ STC56ELF-AC</p>

- DC steady type cable specification : External power/ signal line - UL1007 AWG22(0.3sq) 400mm
- AC steady, AC/DC steady/flashing type cable specification : External power line - UL1015 AWG18(0.75sq) × 2C 400mm
External signal line - UL1007 AWG22(0.3sq) 400mm



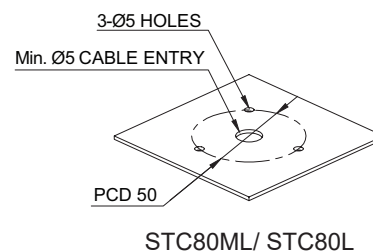
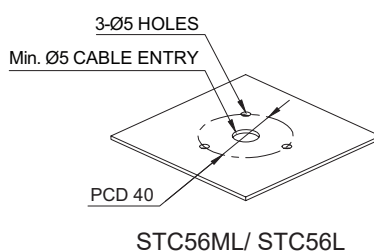
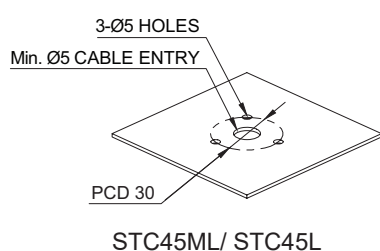
Installation Environment and Protection Rating

- This product is designed for indoor use with protection rating of IP44(standard type) or IP23(buzzer type).
- If the product is installed in locations that subject it to excessive dust or water other than the designated IP protection rating indicated, it may cause malfunction or damage to the product.
- For further information, please visit our website (www.qlight.com).

Mounting Hole Specifications

■ STC45ML/ STC56ML/ STC80ML - Direct Mounting Type Model

① Machine holes on the mounting surface referring to the diagram below.



- ② Remove the flange nuts from bolts and place the product through the mounting surface holes.
- ③ Fasten the flange nuts on the opposite side of the mounting surface until the product is tightened securely.

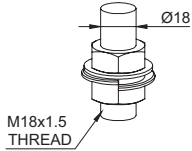
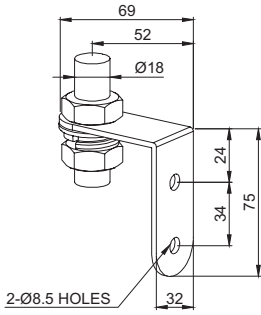
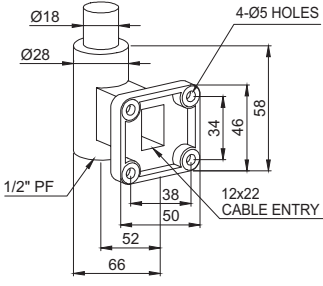
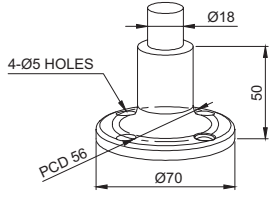
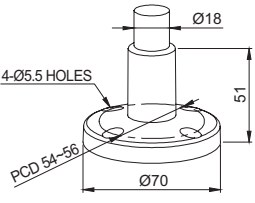
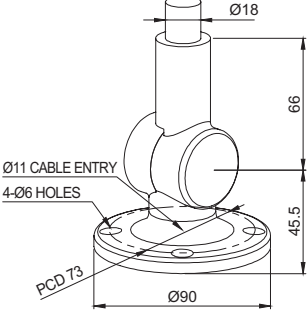
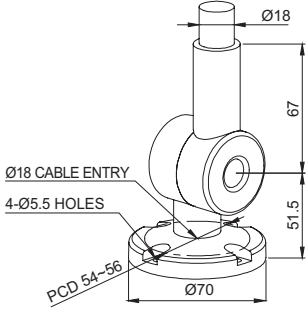
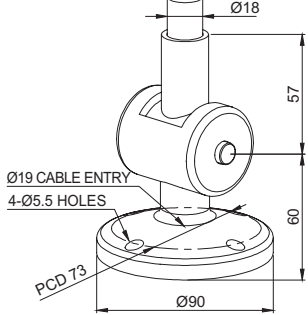
Mounting Accessories (Sold Separately)

• Please refer to the dimensions below for installation of mounting brackets

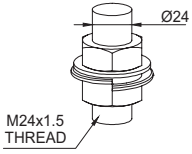
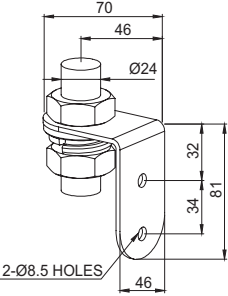
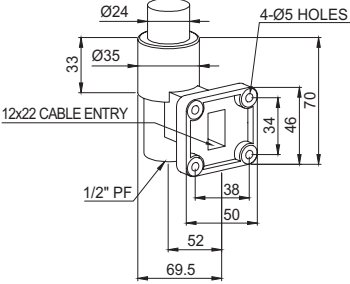
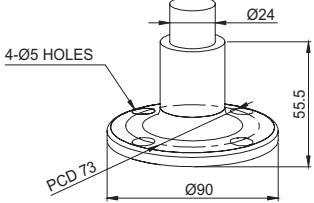
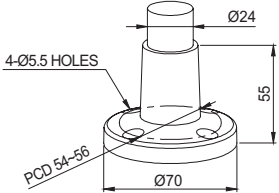
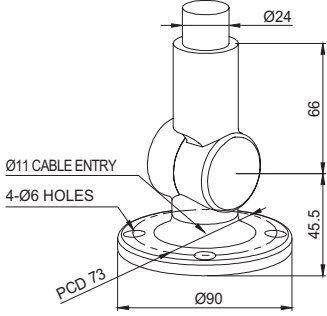
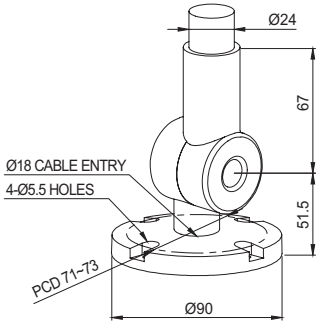
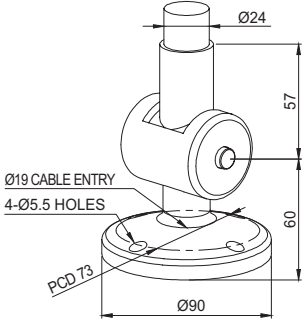
■ STC45ML/ STC56ML/ STC80ML- Direct Mounting Type Model

		Dimensions	
STC45ML STC56ML	<p> $\phi 12$ PCD30~40 360°/3- $\phi 5$ HOLES 4-$\phi 5$ HOLES $\phi 12$ CABLE ENTRY </p> <p>TWS45</p>	<p> PCD30~40 360°/3- $\phi 5$ HOLES 4-$\phi 5$ HOLES </p> <p>TWA45</p>	
	STC80ML	<p> $\phi 12$ PCD40~50 PCD40 360°/3- $\phi 5$ HOLES 4-$\phi 5$ HOLES $\phi 12$ CABLE ENTRY </p> <p>TWS80</p>	<p> PCD40~50 360°/3- $\phi 5$ HOLES 4-$\phi 5$ HOLES </p> <p>TWA80</p>

■ STC45L/ STC56L- Pole Mounting Type Model

Dimensions	
<p>STC45L STC56L</p>  <p style="text-align: center;">18mm SCREW & NUT</p>	 <p style="text-align: center;">LB18</p>
 <p style="text-align: center;">LW18</p>	 <p style="text-align: center;">SZ18</p>
 <p style="text-align: center;">QZ18</p>	 <p style="text-align: center;">SL18</p>
 <p style="text-align: center;">QL18</p>	 <p style="text-align: center;">QLA18</p>

■ STC80L - Pole Mounting Type Model

		Dimensions	
STC80L	 <p>M24x1.5 THREAD</p> <p>Ø24</p>	 <p>70</p> <p>46</p> <p>Ø24</p> <p>32</p> <p>34</p> <p>81</p> <p>2-Ø8.5 HOLES</p> <p>46</p>	<p>24mm SCREW & NUT</p> <p>LB24</p>
	 <p>Ø24</p> <p>4-Ø5 HOLES</p> <p>33</p> <p>Ø35</p> <p>12x22 CABLE ENTRY</p> <p>1/2" PF</p> <p>34</p> <p>46</p> <p>70</p> <p>38</p> <p>50</p> <p>52</p> <p>69.5</p>	 <p>Ø24</p> <p>4-Ø5 HOLES</p> <p>55.5</p> <p>PCD 73</p> <p>Ø90</p>	<p>LW24</p> <p>SZ24</p>
	 <p>Ø24</p> <p>4-Ø5.5 HOLES</p> <p>55</p> <p>PCD 54-56</p> <p>Ø70</p>	 <p>Ø24</p> <p>Ø11 CABLE ENTRY</p> <p>4-Ø6 HOLES</p> <p>66</p> <p>45.5</p> <p>81</p> <p>PCD 73</p> <p>Ø90</p>	<p>QZ24</p> <p>SL24</p>
	 <p>Ø24</p> <p>Ø18 CABLE ENTRY</p> <p>4-Ø5.5 HOLES</p> <p>67</p> <p>51.5</p> <p>81</p> <p>PCD 71-73</p> <p>Ø90</p>	 <p>Ø24</p> <p>Ø19 CABLE ENTRY</p> <p>4-Ø5.5 HOLES</p> <p>57</p> <p>60</p> <p>81</p> <p>PCD 73</p> <p>Ø90</p>	<p>QL24</p> <p>QLA24</p>

Technical Certification

- Qlight products are designed to meet strict quality and technical standards. Thus, the Qlight brand is widely recognized for its high quality and technical innovations from leading institutions around the world.



ISO International Organization for Standardization

Qlight quality assurance systems have been certified by ISO by applying the ISO 9001:2008, KS Q ISO 9001:2009 regulation.



IECEX International Explosion Proof Certification (IECEX)

Certified that Qlight's products are being manufactured and managed according to international standards.



ATEX The European Regulatory Framework or Manufacture, Installation and Use of Equipment in Explosive Atmospheres

Qlight's explosion proof products comply with ATEX Directives 94/9/EC.



NEPSI National Supervision and Inspection Center for Explosion Protection and Safety of Instrumentation

Qlight's design and manufacturing system meets the People's Republic of China National explosion proof Standard. (Chinese Standard-GB3836/GB12476)



KCs Explosion Proof Device Safety Certification System

The safety performance of machines and equipment subject to safety certification and Technical capability and production system have been certified safety certification standards.



TIIS Japan Explosion-proof Certification

TIIS is a Japanese explosion proof test and certification system accordance with the Ministry of Health, Labour and Welfare Notice and the explosion proof guidelines for factory electrical equipment. Qlight's explosion proof products have been tested and certified by TIIS.



CCS China Classification Society

Qlight's design and quality assurance system has been certified by the China Classification Society.



RMRS Russian Maritime Register of Shipping

Qlight's design and quality assurance system has been certified from Russian Maritime Register of Shipping.



LR Lloyd's Register

Qlight's design and quality assurance system has been certified from Lloyd's Register.



KR Korean Register of Shipping

Qlight's design and quality assurance system has been certified by the Korean Register of Shipping.



KC Korea Safety Certification

Qlight's products are certified by KC for preventing accident caused by fire.



E-mark Commission Directive Regarding Vehicle Industry

Qlight has obtained EU mark for approved vehicles and vehicle components sold into the EU (EEA : European Economic Area)



ICAO International Civil Aviation Organization

Qlight guarantees our products satisfy the criteria regulated by the International Civil Aviation Organization (ICAO, FAA).



KCC Conformity Assessment of Broadcasting Communication Equipment

Qlight has been certified to protect the electromagnetic environment that causes unwanted electromagnetic waves from the device, communication failure due to other devices or external radio waves, and malfunction of the device.



UL Underwriters Laboratories

Qlight's design and quality assurance system has been certified from UL to ensure the stability of consumption goods and to protect consumers.



CCCF China Certification Center for Security & Protection

Qlight has passed the rigorous examination process of "Passing Fire Protection Products Centering" In order to sell fire-fighting products such as fire alarm equipment to Chinese market.



CCC China Compulsory Certificate

Qlight's has obtained CCC which guarantees safety, protection against fraud, environment, etc.



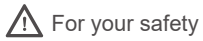
CE European Commission

Qlight has been certified by the European Commission.



RoHS2 Restriction of Hazardous Substances Directive

Qlight complies with the Restriction of Hazardous Substances Directive by limiting its use of hazardous materials.



For your safety

Specification and dimensions listed in this catalogue subject to change without notice for product quality improvement.
The newest product information is available on our website.(www.qlight.com)
Please read the instruction manual attached to the product carefully before installation and use.

Qlight Co., Ltd. www.qlight.com | trade@qlight.com

Head Office | Suite #1510, STX-V Tower, 128 Gasan digital 1-ro, Geumcheon-gu, Seoul, Korea

Tel. +82-2-2679-6152(Toll free. +82-80-328-2222) Fax. +82-2-2679-6154

Factory | 185-25, Mukbang-ro, Sangdong-myeon, Gimhae-si, Gyeongsangnamdo, Korea Tel. +82-55-328-1111(Toll free. +82-80-328-1111)

Qlight OverSEAs Sales Dept | 704 Nakdong-daero, Sasang-gu, Busan, Korea(Eomgung-Dong) Tel : +82-51-620-4100

Qlight Public Relations & Marketing Team Office | 704 Nakdong-daero, Sasang-gu, Busan, Korea(Eomgung-Dong) Tel. +82-51-245-0017

Qlight USA, Inc. www.qlight.com www.qlightusa.com | sales@qlightusa.com

3003 North First Street, Suite #341, San Jose, CA 95134 USA Tel. +1-408-519-5740 Fax. +1-408-519-5739

SHANGHAI Qlight Electronic Co., Ltd. www.qlight.com www.qlightcn.com | qlightcn@qlight.com

China Factory/ Shanghai Sales Office | #19, Nanda Road, Baoshan Area, Shanghai, China Tel. +86-21-6651-7100 Fax. +86-21-6315-3929

China Factory Site 2 (Qidong) | #33, Haiyan Road, Qidong High-tech Industrial Development Zone, Qidong, Jiangsu Province, China

Tel +86-513-8384-9999 Fax +86-513-8384-9910

Qlightec

Innovation in Alarm & Signal

Product Operation Inquiry / Customer Support +82-51-620-4100

You can expect prompt service if you have exact information such as model name, symptom, telephone number and address.

※ ALL PRODUCT, PRODUCT SPECIFICATIONS AND DATA ARE SUBJECT TO CHANGE WITHOUT NOTICE TO IMPROVE RELIABILITY, FUNCTION OR DESIGN OR OTHERWISE.

Head office : Suite #1510, STX-V Tower, 128 Gasan digital 1-ro, Geumcheon-gu, Seoul, Korea (Postal Code : 08507)

Factory : 185-25, Mukbang-Ro, Sangdong-Myeon, Gimhae-Si, Gyeongsangnam-Do, Korea (Postal Code : 50805)

www.qlight.com

EN - STC45ML - 2111A