

QT70ML-W

Ø70mm Multi-Functional Modular LED Tower Lights with Sounder



QT70ML-W Ø70mm Pole Mount Modular LED Tower Lights with Sounder

Consist of LED module, base module, sounder module and pole module

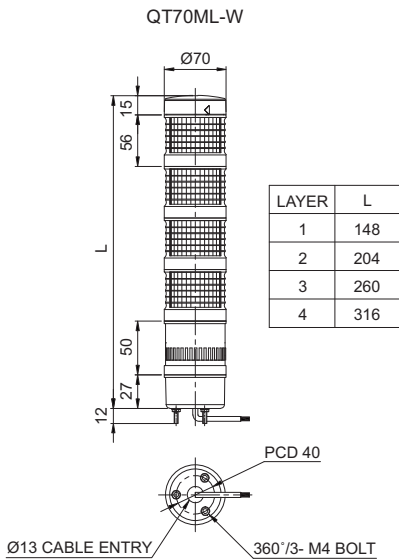
Specifications

Model number	Layer	Built-in Sound	Voltage	Current	Certificates	Weight	Color
QT70ML-WS QT70ML-WM QT70ML-WA QT70MLF-WS QT70MLF-WM QT70MLF-WA	1	WS-5 Warning sounds WM-5 Melodies WA-Alarms (Max 85dB)	DC12V	0.320A	CE DC24V only	0.37kg	● R-Red
			DC24V	0.180A		0.37kg	
	2		DC12V	0.420A		0.44kg	● R-Red ● G-Green
			DC24V	0.230A		0.44kg	
	3		DC12V	0.520A		0.54kg	● R-Red ● A-Amber ● G-Green
			DC24V	0.280A		0.54kg	
	4		DC12V	0.620A		0.59kg	● R-Red ● A-Amber ● G-Green ● B-Blue
			DC24V	0.330A		0.59kg	

QT70L Steady Module + Base Module(BS) + Signal Sound Module
QT70LF Steady/Flashing Module + WS Warning sounds
 WM Melodies
 WA Alarms

* Please refer to page 348-351 for detailed specification of module.
 * Please refer to page 24 for detailed sound specification.

Technical Diagram (Units : mm)



Wiring Instructions

• LED tower light can be wired with external contact and transistor
 * Please refer to page 358 for detailed information about the wiring instructions.

Customization

• Beige color
 • LED strobe (Model number : QT70MLS-W)
 • LED simulated revolving (Model number : QT70MLR-W)
 • Wall mount bracket :
 Bracket structure allows for threading through the bracket hole or into the wall mount



Ordering Specification

QT70ML-WA	-	3	-	24	-	RAG
[Model number]		[Layer]		[Voltage]		[Color]
• QT70ML-WS • QT70ML-WM • QT70ML-WA • QT70MLF-WS • QT70MLF-WM • QT70MLF-WA		• 1-1Layer • 2-2Layers • 3-3Layers • 4-4Layers		• 12-DC12V • 24-DC24V		• R-Red • A-Amber • G-Green • B-Blue

QT series

Multi-Functional Modular LED Tower Lights



Wiring Instructions

- QT series modular LED tower lights can be wired by external contact and transistor.
- Please follow below wiring instructions carefully.

Type	External Contact	Type	Transistor
DC/AC Standard QT50ML QT50MLF QT50MLS QT50MLR QT50L QT50LF QT50LS QT50LR QT70ML QT70MLF QT70MLS QT70MLR QT70L QT70LF QT70LS QT70LR	<p>EXTERNAL CONTACT</p> <p>Red(R) Amber(A) Green(G) Blue(B) White(W) Black(BK) Fuse Power</p> <p>Layer 1 Layer 2 Layer 3 Layer 4 Layer 5 Steady</p>	DC/AC Standard QT50ML QT50MLF QT50MLS QT50MLR QT50L QT50LF QT50LS QT50LR QT70ML QT70MLF QT70MLS QT70MLR QT70L QT70LF QT70LS QT70LR	<p>EXTERNAL TRANSISTOR-NPN EXTERNAL TRANSISTOR-PNP</p> <p>Red(R) Amber(A) Green(G) Blue(B) White(W) Black(BK) Fuse Power</p> <p>Layer 1 Layer 2 Layer 3 Layer 4 Layer 5 Steady</p>
DC/AC Buzzer QT50ML-BZ QT50MLF-BZ QT50MLS-BZ QT50MLR-BZ QT50L-BZ QT50LF-BZ QT50LS-BZ QT50LR-BZ QT70ML-BZ QT70MLF-BZ QT70MLS-BZ QT70MLR-BZ QT70L-BZ QT70LF-BZ QT70LS-BZ QT70LR-BZ	<p>EXTERNAL CONTACT</p> <p>Red(R) Amber(A) Green(G) Blue(B) Brown(BN) Black(BK) Fuse Power</p> <p>Layer 1 Layer 2 Layer 3 Layer 4 Buzzer Steady</p>	DC/AC Buzzer QT50ML-BZ QT50MLF-BZ QT50MLS-BZ QT50MLR-BZ QT50L-BZ QT50LF-BZ QT50LS-BZ QT50LR-BZ QT70ML-BZ QT70MLF-BZ QT70MLS-BZ QT70MLR-BZ QT70L-BZ QT70LF-BZ QT70LS-BZ QT70LR-BZ	<p>EXTERNAL TRANSISTOR-NPN EXTERNAL TRANSISTOR-PNP</p> <p>Red(R) Amber(A) Green(G) Blue(B) Brown(BN) Black(BK) Fuse Power</p> <p>Layer 1 Layer 2 Layer 3 Layer 4 Buzzer Steady</p>
DC/AC Built-in Sounder QT50ML QT50MLF QT50MLS QT50MLR QT50L QT50LF QT50LS QT50LR QT70ML QT70MLF QT70MLS QT70MLR QT70L QT70LF QT70LS QT70LR	<p>EXTERNAL CONTACT</p> <p>Red(R) Amber(A) Green(G) Blue(B) Gray(GR1) Gray(GR2) Gray(GR3) Gray(GR4) Gray(GR5) Black(BK) White(W) Black(BK) Fuse Power</p> <p>Layer 1 Layer 2 Layer 3 Layer 4 Ch 1 Sound Pattern Ch 2 Sound Pattern Ch 3 Sound Pattern Ch 4 Sound Pattern Ch 5 Sound Pattern Steady</p> <ul style="list-style-type: none"> • QTXX(M)L - Including WS/WM/WA type • QTXX(M)LF - Including WS/WM/WA type • QTXX(M)LS - Including WS/WM/WA type • QTXX(M)LR - Including WS/WM/WA type • QTXXL <p>Lens Diameter 50(50mm) : QT50(M)L 70(70mm) : QT70(M)L</p>	DC/AC Built-in Sounder QT50ML QT50MLF QT50MLS QT50MLR QT50L QT50LF QT50LS QT50LR QT70ML QT70MLF QT70MLS QT70MLR QT70L QT70LF QT70LS QT70LR	<p>Gray(GR1) Gray(GR2) Gray(GR3) Gray(GR4) Gray(GR5) Red(R) Amber(A) Green(G) Blue(B) Black(BK) Common White(W) Black(BK) Fuse Power</p> <p>Ch 1 Sound Pattern Ch 2 Sound Pattern Ch 3 Sound Pattern Ch 4 Sound Pattern Ch 5 Sound Pattern Layer 1 Layer 2 Layer 3 Layer 4 Steady</p> <ul style="list-style-type: none"> • QTXX(M)L - Including WS/WM/WA type • QTXX(M)LF - Including WS/WM/WA type • QTXX(M)LS - Including WS/WM/WA type • QTXX(M)LR - Including WS/WM/WA type • QTXXL <p>Lens Diameter 50(50mm) : QT50(M)L 70(70mm) : QT70(M)L</p>
DC/AC Built-in Sounder Internal Switch QT50ML QT50MLF QT50MLS QT50MLR QT50L QT50LF QT50LS QT50LR QT70ML QT70MLF QT70MLS QT70MLR QT70L QT70LF QT70LS QT70LR	<p>EXTERNAL CONTACT</p> <p>Red(R) Amber(A) Green(G) Blue(B) Brown(BN) Black(BK) Fuse Power</p> <p>Layer 1 Layer 2 Layer 3 Layer 4 Sound Pattern Steady</p> <ul style="list-style-type: none"> • QTXX(M)L - Including WS/WM/WA type • QTXX(M)LF - Including WS/WM/WA type • QTXX(M)LS - Including WS/WM/WA type • QTXX(M)LR - Including WS/WM/WA type • QTXXL <p>Lens Diameter 50(50mm) : QT50(M)L 70(70mm) : QT70(M)L</p>	DC/AC Built-in Sounder Internal Switch QT50ML QT50MLF QT50MLS QT50MLR QT50L QT50LF QT50LS QT50LR QT70ML QT70MLF QT70MLS QT70MLR QT70L QT70LF QT70LS QT70LR	<p>EXTERNAL TRANSISTOR-NPN</p> <p>Red(R) Amber(A) Green(G) Blue(B) Brown(BN) Black(BK) Fuse Power</p> <p>Layer 1 Layer 2 Layer 3 Layer 4 Sound Pattern Steady</p> <ul style="list-style-type: none"> • QTXX(M)L - Including WS/WM/WA type • QTXX(M)LF - Including WS/WM/WA type • QTXX(M)LS - Including WS/WM/WA type • QTXX(M)LR - Including WS/WM/WA type • QTXXL <p>Lens Diameter 50(50mm) : QT50(M)L 70(70mm) : QT70(M)L</p>



Warning/
Signal/
Stackable



Signal &
Electric Horn/
Speakers



Vessels and
Heavy-Duty
Equipment



Explosion
Proof



Warning
Light Bar



Aviation
Obstruction
Lights



Signal Tower
Lights



USB/ETN
Signal Tower
Lights



Wireless
Network
System



Electric Horn/
Speakers



Industrial
LED Lights