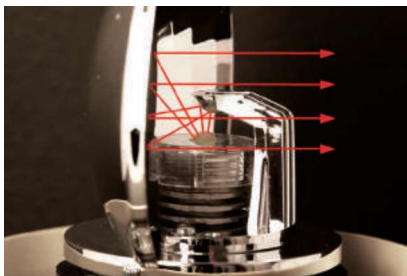




**S80DR**



**S80LR**



### Feature of LED revolving warning lights

LED revolving warning lights has Qlight's distinctive LED light collecting system and special multifaceted reflector allowing excellent omni-directional visibility.

### Replacement for old version

S80DR substitutes for S80RLR, so they have same dimension, function and feature.

## **S80DR/ S80LR** LED Revolving Warning Lights

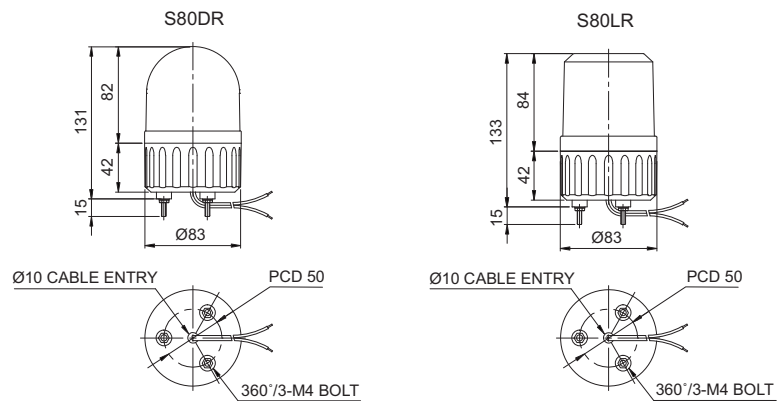
- Ø80mm compact LED revolving warning lights
- Excellent omni-directional visibility with LED light collecting system and special multifaceted reflector
- Built-in buzzer available (Volume : Max 90dB at 1m)
- Revolving speed : 120-140RPM
- Materials : Lens-AS, Housing-ABS, Reflector-Heat resistant ABS
- Ambient operating temperature : -20°C to +50°C
- Protection rating : IP44
- Compliant with RoHS directive

### Specifications

Model number	Voltage	Current	Certificates	Weight	Color
S80DR S80LR	DC12V	0.183A	-	0.23kg	<ul style="list-style-type: none"> <li>• R-Red</li> <li>• A-Amber</li> <li>• G-Green</li> <li>• B-Blue</li> </ul>
	DC24V	0.127A		0.23kg	
	AC110V	0.035A		0.38kg	
	AC220V	0.017A		0.38kg	

### Technical Diagram

(Units : mm)



### Wiring Instructions

- External power line standard : UL1015 AWG18(0.75sq)×2C 400mm
- DC Type : Black output line is negative(-)

### Customization

- Wall mount bracket options :  
Bracket structure allows for threading through the bracket hole or into the wall mount



### Ordering Specification

<b>S80DR</b>	-	<b>BZ</b>	-	<b>220</b>	-	<b>R</b>
[Model number]		[Buzzer option]		[Voltage]		[Color]
<ul style="list-style-type: none"> <li>• S80DR</li> <li>• S80LR</li> </ul>		<ul style="list-style-type: none"> <li>• None</li> <li>- No buzzer</li> <li>• BZ</li> <li>- Built-in buzzer</li> </ul>		<ul style="list-style-type: none"> <li>• 12-DC12V</li> <li>• 24-DC24V</li> <li>• 110-AC110V</li> <li>• 220-AC220V</li> </ul>		<ul style="list-style-type: none"> <li>• R-Red</li> <li>• A-Amber</li> <li>• G-Green</li> <li>• B-Blue</li> </ul>