

**S80DRK**



**S80LRK**

### **S80DRK/ S80LRK** LED Revolving Warning Lights

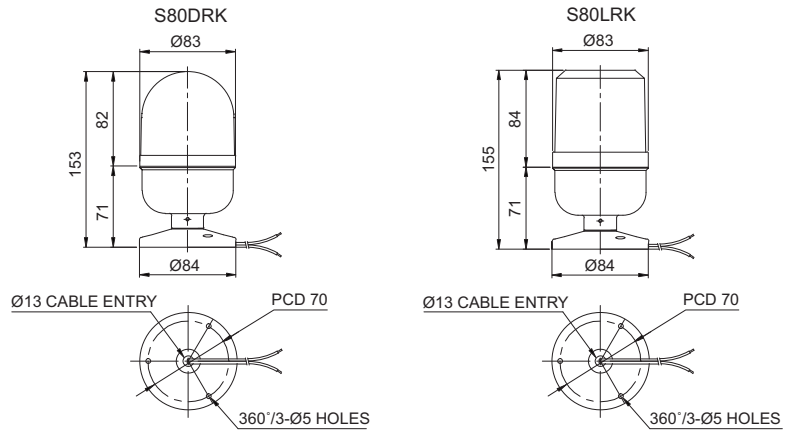
- Ø80mm LED revolving warning lights
- Adopts a special power transmission system that reduces noise and wear
- Circular mount bracket allows convenient installation
- No buzzer allowed
- Revolving speed : 120-140RPM
- Materials : Lens-AS, Housing-ABS, Reflector-Heat resistant ABS
- Ambient operating temperature : -20°C to +50°C
- Protection rating : IP44
- Compliant with RoHS directive

#### Specifications

Model number	Voltage	Current	Certificates	Weight	Color
S80DRK S80LRK	DC12V	0.183A	-	0.24kg	<ul style="list-style-type: none"> <li>• R-Red</li> <li>• A-Amber</li> <li>• G-Green</li> <li>• B-Blue</li> </ul>
	DC24V	0.127A		0.24kg	
	AC110V	0.035A		0.43kg	
	AC220V	0.017A		0.43kg	

#### Technical Diagram

(Units : mm)



#### Wiring Instructions

- External power line standard : UL1015 AWG18(0.75sq)×2C 400mm
- DC Type : Black output line is negative(-)

#### Customization

• Pole mount type

Standard	QZ18	SZ18	SL18	QLA18
Steel	PC	Al	Al	PC

※ Please refer to page34-39 for detailed dimension of mount bracket



#### Replacement for old version

S80DRK substitutes for S80RLRK, so they have same dimension, function and feature.

#### Ordering Specification

<b>S80DRK</b>	-	<b>24</b>	-	<b>R</b>
[Model number]		[Voltage]		[Color]
• S80DRK • S80LRK		• 12-DC12V • 24-DC24V • 110-AC110V • 220-AC220V		• R-Red • A-Amber • G-Green • B-Blue



Signal & Electric Horn/Speakers



Vessels and Heavy-Duty Equipment



Explosion Proof



Warning Light Bar



Aviation Obstruction Lights



Signal Tower Lights



USB/ETN Signal Tower Lights



Wireless Network System



Electric Horn/Speakers



Industrial LED Lights