

# MW86M Series D86mm Wall Mount LED 3 Colors in 1 Signal Light (Multi Sound)



General type  
Horn type



MW86M Series combines LED Signal Light and Sound. It can be easily fixed on the wall without extra equipments.

## Product Feature

- 3 Colors in 1 Signal Light
- Steady, Flashing functions from high-bright LED
- 2 Types of Flashing functions
  - Regular flashing / Urgency signal flashing
- Built-in Speaker for 3~4 sounds
- Removable Horn is offered

## Current consumption

LED Colors	Power supply				
	12VDC	24VDC	90VAC	110VAC	220VAC
Red	0.35A	0.18A	0.10A	0.09A	0.06A
Yellow	0.35A	0.18A	0.10A	0.09A	0.06A
Green	0.39A	0.20A	0.12A	0.09A	0.07A

▲ Combined current consumption of both LED Steady light and sound

## Ordering information

**MW86M - F 00 - RYG - M3 (B)**

① ② ③ ④ ⑤

### ① Light Style

F Steady + Flashing

### ② Power Supply

00 12~24VDC

FF 90~240VAC

### ③ LED Color

RYG Red + Yellow + Green

RGB Red + Green + Blue

### ④ Sound Type

M3 3 Melody channels

M4 4 Melody channels

S3 3 Siren channels

► Melody  
For Elise — M3 type  
Home, Sweet Home  
Cuckoo Walts  
Love me tender — M4 type

► 3 Siren  
Fire siren  
Police siren  
Ambulance siren

### ⑤ Body Color

No mark Ivory

(B) Black

## Specifications

Function	Steady, Flashing	
Power supply	12~24VDC, 90~240VAC(AC 50/60Hz)	
Light source	LED	
Connection method	Lead wire	
Flashing rate (Internal PCB board dip switch)	F1: 80±5 flashing per minute F3: 240±10 flashing per minute (Emergency signal)	
Mounting method	Wall mounting (upright only)	
Material	Body - ABS resin	Lens - PC (Lens Color : Clear)
Ambient temperature	-20~40°C	
Storage ambient temperature	-20~70°C	
Ambient humidity	45~85% RH	
Vibration	10 to 55Hz (cycle 1 minute) Amplitude 0.75mm X, Y, Z 1 hour in each direction	
Approval	UL, RoHS	
Connection	1007UL/22AWG, Sound wire - 2464UL/22AWG	
	General Type	Horn Type
Sound volume (1m)	55 ~ 85±5dB	55 ~ 90±5dB
Protection structure	IP43	IP54
Weight (AC type standard)	App. 286g	App. 313g

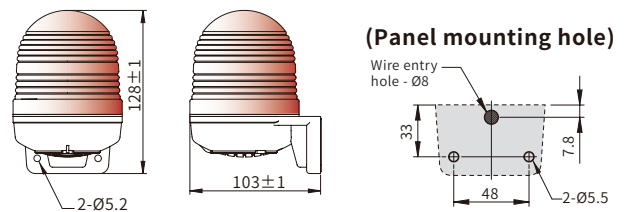
Note : Life of the LED varies according to operating conditions and environment.

## Connection Diagram Sound Setting table

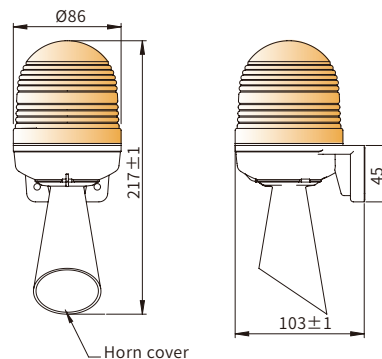
See Page 42 >>

## Dimensions (unit: mm)

### ▼ General type



### ▼ Horn type

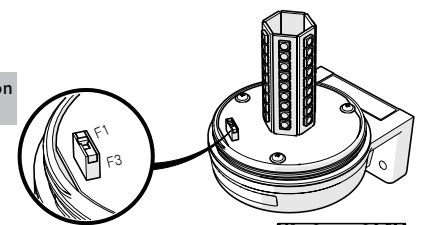


## Feature setting

### ■ Flashing function selection switch

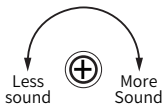
F1: 80±5 flashing per minute

F3: 240±10 flashing per minute



### ■ Adjustment of sound volume

#### Volume



Sound Volume Adjustment hole

