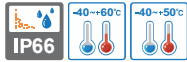
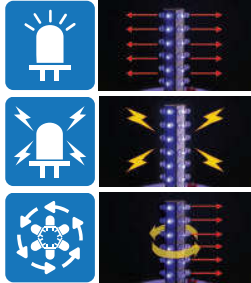


QNE series

Ø92mm Explosion Proof LED Signal/ Warning Light



Flame proof LED signal light that features steady/flashing, strobe, and simulated revolving light functions in one unit



- LED Steady/ Flashing**
 Repeat operation of LED light on/off
- LED Strobe**
 Short LED steady/flashing. Creates a xenon flashing effect by providing maximum electric current
- LED Simulated Revolving Flashing**
 LED flashes steadily around the cylindrical LED filaments which makes a simulated revolving effect



Instruction for Light Function Switch

ON=1 / OFF=0		Can select 4 different kinds of light functions with switch configuration	
ON	1 2		
OFF	0 0		
No.	1	2	Operation
0	0	0	LED Steady
1	0	1	LED Flashing
2	1	0	LED Strobe
3	1	1	LED Simulated revolving flashing



QNE



QNE-SUS

Specifications (QNE/ QNE-SUS/ QNE-BS)

- Explosion proof, multifunctional, and compact LED signal light designed for use in explosive gas environments with Ex d IIC rating
- Features excellent shock and vibration resistance, maintenance significantly reduced with long-lasting LED light source
- Features superior durability with aluminum housing(QNE)
- STS housing provides superior durability and corrosion resistance(QNE-SUS)
- Features excellent corrosion resistance with brass housing(QNE-BS)
- Fully enclosed structure with protection rating of IP66
- Housing standard color : Red, MUNSELL No. 7.5BG 7/2
- Cable entry : 1/2" NPT
- Flashing rate(LF type) : 60-80 flashes/min.
- Strobe rate(LS type) : 70-80 flashes/min.
- Simulated revolving rate(LR type) : 120-140RPM
- Materials : Lens-Tempered glass, Inner lens-PC, Bracket-STS304, Protection cage-STS316, Housing-Al(QNE), STS(QNE-SUS), Brass(QNE-BS)
- Certificates : ATEX, IECEx, KCs
- Protection rating : ATEX - Ex II2G Ex d IIC T5/ T6, IP66
IECEx, KCs - Ex d IIC T5/ T6, IP66
- Ambient operating temperature : $-40^{\circ}\text{C} \leq T_{\text{amb}} \leq +60^{\circ}\text{C}$
 $-40^{\circ}\text{C} \leq T_{\text{amb}} \leq +50^{\circ}\text{C}$

QNE Explosion Proof Signal/ Warning Light

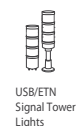
- Features superior durability with aluminum housing

Model number	Voltage	Current	Certificates	Weight	Color
QNE	DC12V-24V	Max. 0.558A		2.05kg	<ul style="list-style-type: none"> R-Red A-Amber G-Green B-Blue
	AC120V-230V	Max. 0.136A			

QNE-SUS Explosion Proof Signal/ Warning Light

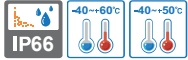
- Features superior corrosion resistance and durability with STS housing

Model number	Voltage	Current	Certificates	Weight	Color
QNE-SUS	DC12V-24V	Max. 0.558A		4.65kg	<ul style="list-style-type: none"> R-Red A-Amber G-Green B-Blue
	AC120V-230V	Max. 0.136A			



QNE series

Ø92mm Explosion Proof LED Signal/ Warning Light



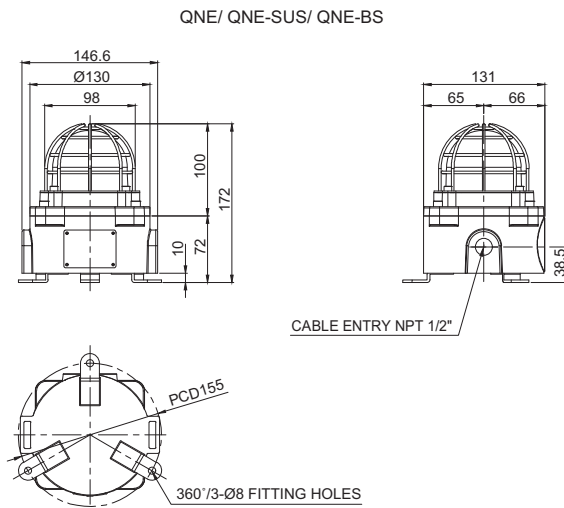
QNE-BS

QNE-BS Explosion Proof Signal/ Warning Light

- Features superior corrosion resistance with brass housing

Model number	Voltage	Current	Certificates	Weight	Color
QNE-BS	DC12V-24V	Max. 0.558A	IECEx ATEX	5.30kg	<ul style="list-style-type: none"> • R-Red • A-Amber • G-Green • B-Blue
	AC120V-230V	Max. 0.136A	CS		

Technical Diagram (Units : mm)



Customization

- Built-in explosion proof cable gland
Standard type does not provide explosion proof cable gland
- Two way cable entries
- M20x1.5 cable entry
- ATEX certified type
- IECEx certified type

Ordering Specification

QNE	-	120/230	-	R	-	SUS
[Model number]		[Voltage]		[Color]		[Housing material]
• QNE		<ul style="list-style-type: none"> • 12/24 • DC12V-24V • 120/230 • AC120V-230V 		<ul style="list-style-type: none"> • R-Red • A-Amber • G-Green • B-Blue 		<ul style="list-style-type: none"> • (Blank) - Al • SUS - STS • BS - Brass